

ASSEMBLY INSTRUCTIONS
COASTER FINE FURNITURE



Fine Furniture for every stage of life

722287
End Table

REVISION 0 : 05/28/2018
REVISION 1 : 06/17/2019
REVISION 2 : 12/16/2019
REVISION 3 : 09/05/2023

ITEM: 722287



ASSEMBLY INSTRUCTIONS

ASSEMBLY TIPS:

1. Remove hardware from box and sort by size.
2. Please check to see that all hardware and parts are present prior to start of assembly.
3. Please follow attached instructions in the same sequence as numbered to assure fast & easy assembly.



WARNING!

1. Don't attempt to repair or modify parts that are broken or defective. Please contact the store immediately.
2. This product is for home use only and not intended for commercial establishments.



ASSEMBLY TIME

30 MINUTES

PARTS IDENTIFICATION

A	TOP		1PC	C	LEG		4PCS
B	BOTTOM SHELF		1PC				

HARDWARE IDENTIFICATION

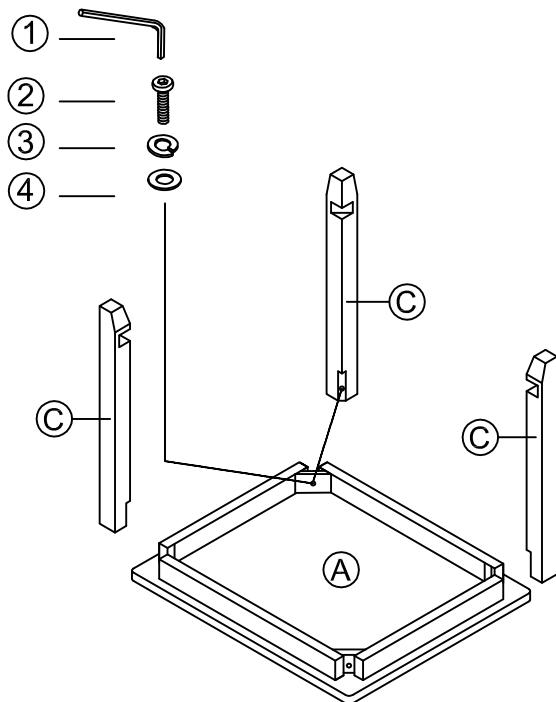
1	ALLEN WRENCH (4MM - BLK)		1PC	3	LOCK WASHER (Ø1/4" - BLK)		8PCS
2	ALLEN BOLT (Ø1/4" x 2" - BLK)		8PCS	4	FLAT WASHER (Ø1/4" x 19MM - BLK)		8PCS

ITEM: 722287

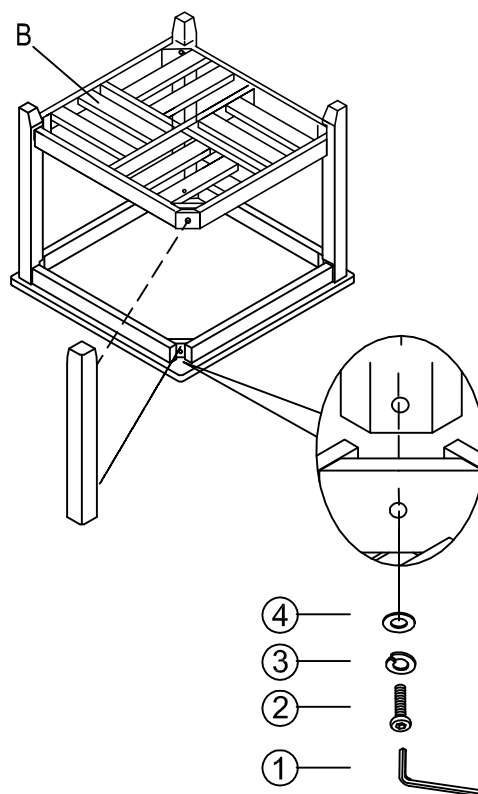


ASSEMBLY INSTRUCTIONS

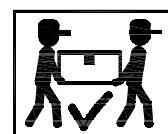
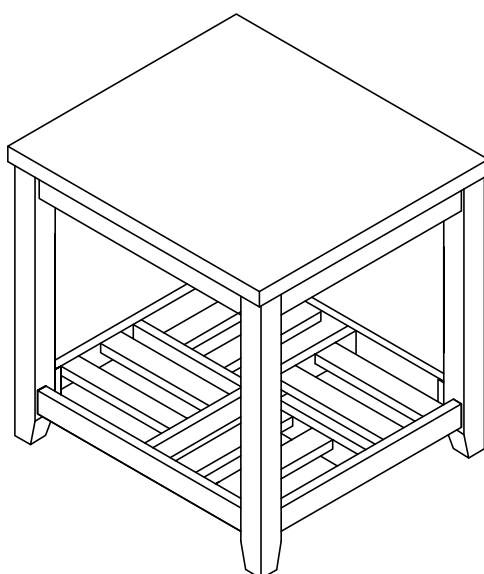
STEP 1



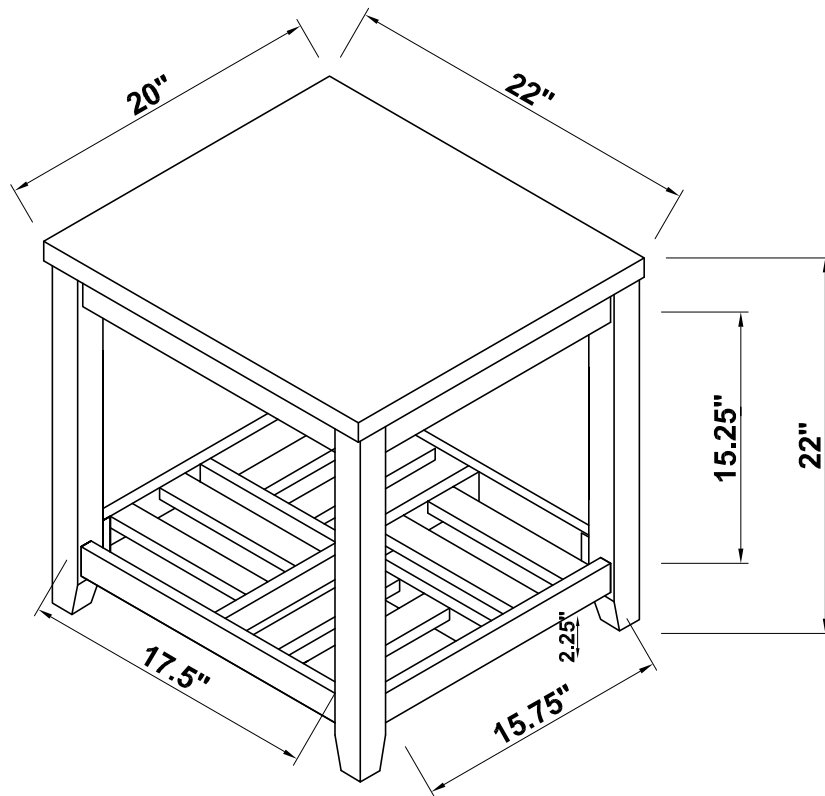
STEP 2



STEP 3
COMPLETE



ITEM: 722287



Note : Dimension tolerance $\pm 5\%$