



## ASSEMBLY INSTRUCTIONS COASTER FINE FURNITURE



*Fine Furniture for every stage of life*

**722288**  
**Coffee Table**

REVISION 0 : 05/28/2018  
REVISION 1 : 06/17/2019  
REVISION 2 : 10/18/2019  
REVISION 3 : 09/05/2023

**PAGE 1 OF 4**

COASTERFURNITURE.COM

ITEM: 722288



## ASSEMBLY INSTRUCTIONS

### ASSEMBLY TIPS:

1. Remove hardware from box and sort by size.
2. Please check to see that all hardware and parts are present prior to start of assembly.
3. Please follow attached instructions in the same sequence as numbered to assure fast & easy assembly.



### WARNING!

1. Don't attempt to repair or modify parts that are broken or defective. Please contact the store immediately.
2. This product is for home use only and not intended for commercial establishments.



ASSEMBLY TIME

30 MINUTES

## PARTS IDENTIFICATION

A	TOP		1PC	C	LEG		4PCS
B	BOTTOM SHELF		1PC				

## HARDWARE IDENTIFICATION

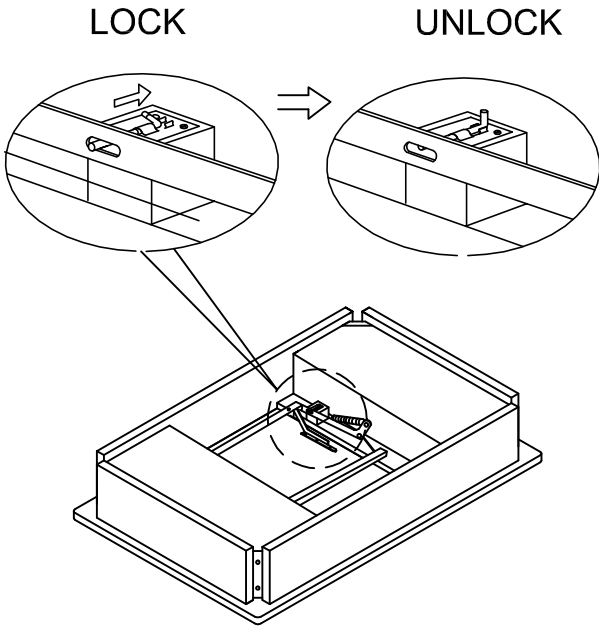
1	ALLEN WRENCH (4MM - BLK)		1PC	3	LOCK WASHER (Ø1/4" - BLK)		12PCS
2	ALLEN BOLT (Ø1/4" x 2" - BLK)		12PCS	4	FLAT WASHER (Ø1/4" x 19MM - BLK)		12PCS

ITEM: 722288

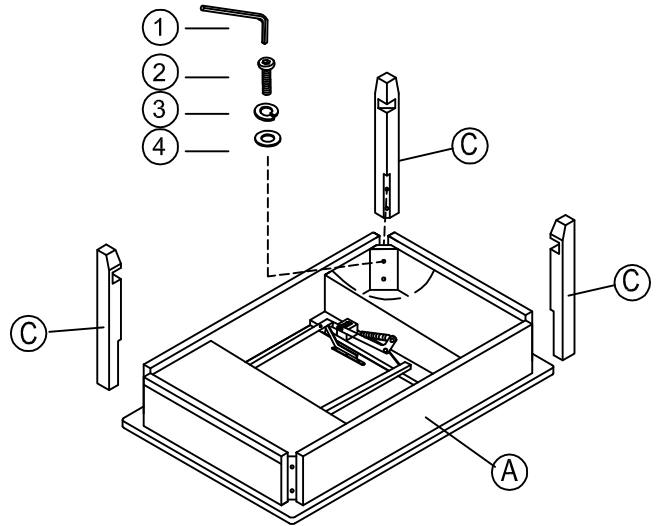


ASSEMBLY INSTRUCTIONS

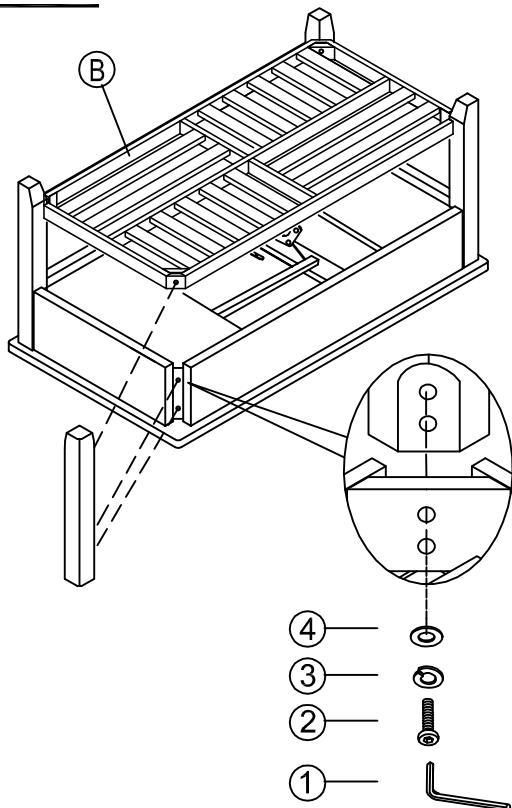
STEP 1



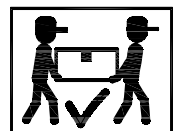
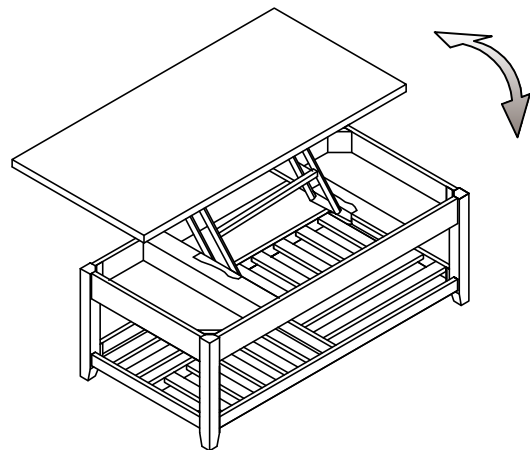
STEP 2



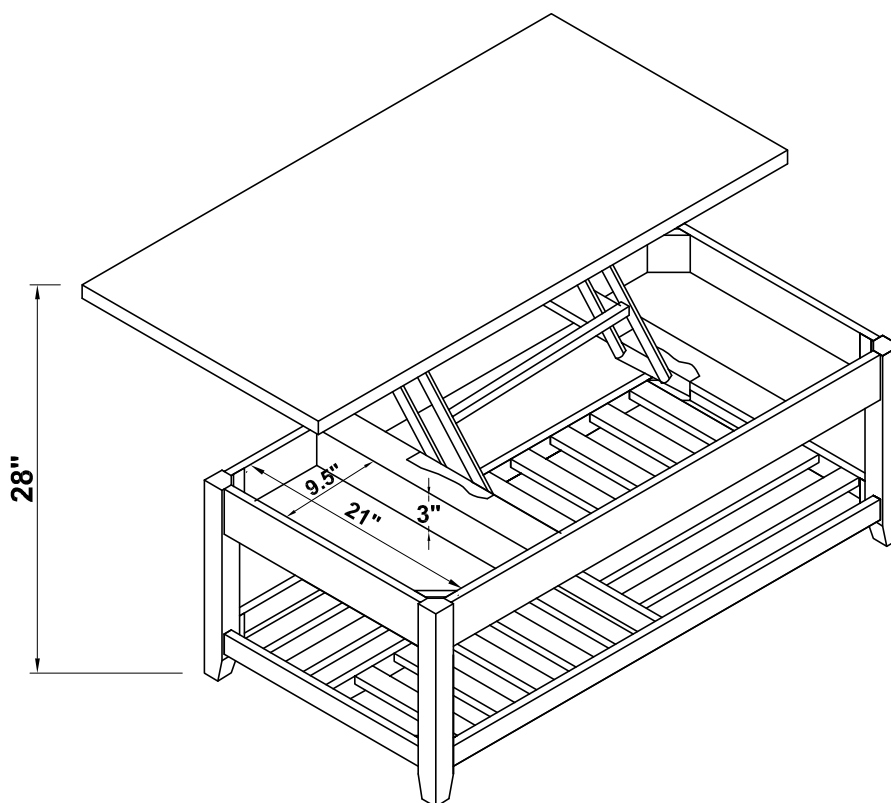
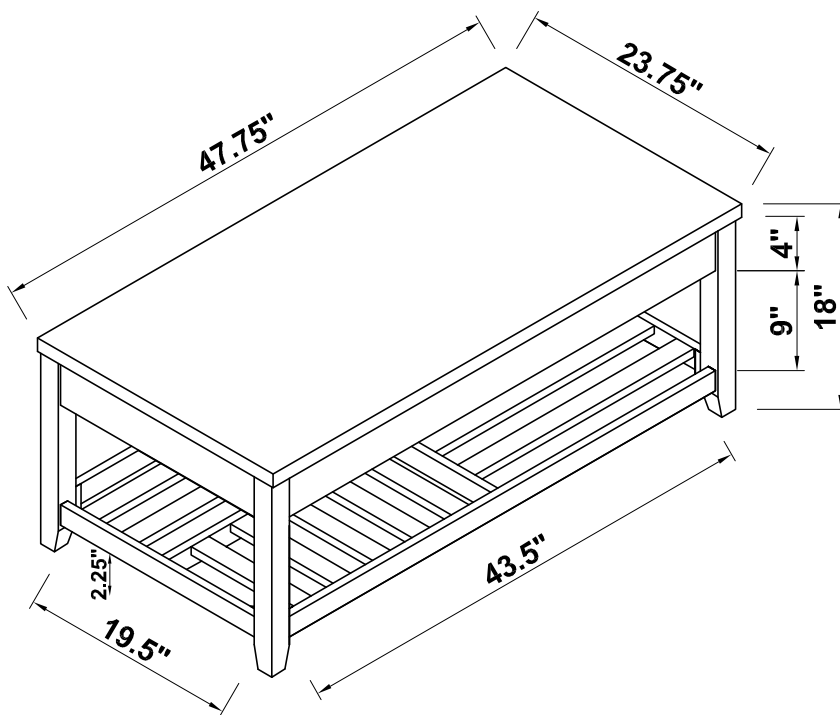
STEP 3



STEP 4  
COMPLETE



ITEM: 722288



Note : Dimension tolerance  $\pm 5\%$