

ASSEMBLY INSTRUCTIONS
COASTER FINE FURNITURE



Fine Furniture for every stage of life

401156
Bench

ITEM:401156



ASSEMBLY INSTRUCTIONS

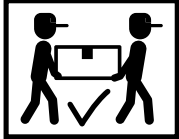
ASSEMBLY TIPS:

1. Remove hardware from box and sort by size.
2. Please check to see that all hardware and parts are present prior to start of assembly.
3. Please follow attached instructions in the same sequence as numbered to assure fast & easy assembly.



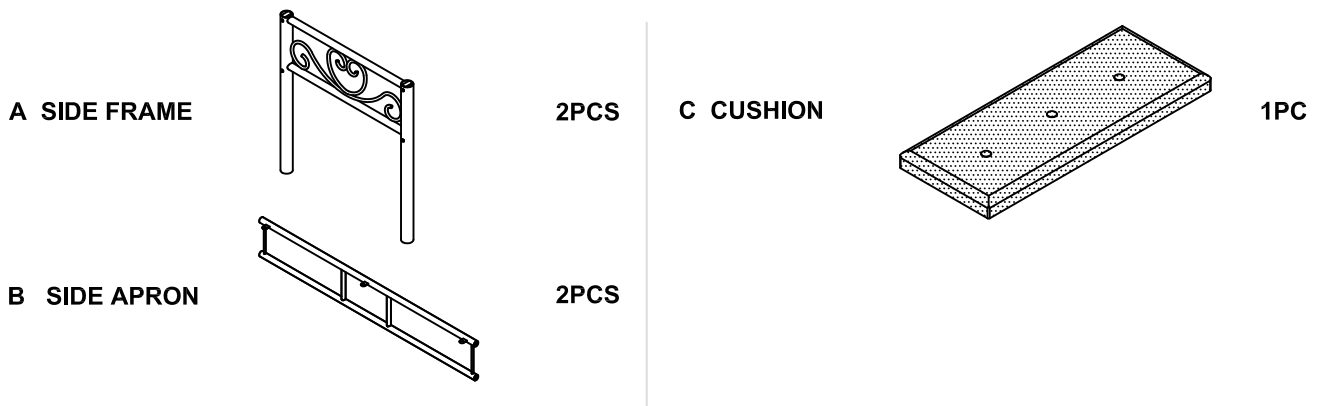
WARNING !

1. Don't attempt to repair or modify parts that are broken or defective. Please contact the store immediately.
2. This product is for home use only and not intended for commercial establishment.

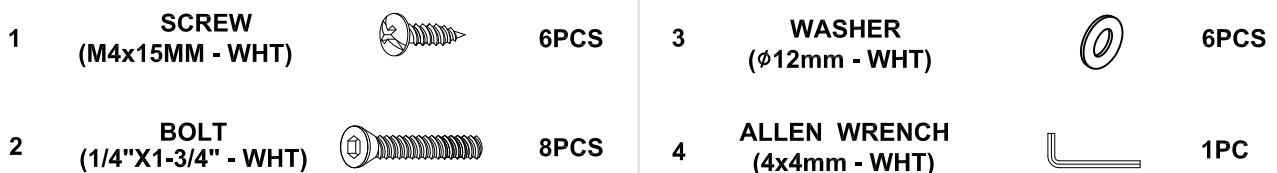


ASSEMBLY TIME 20 MINUTES

PARTS IDENTIFICATION



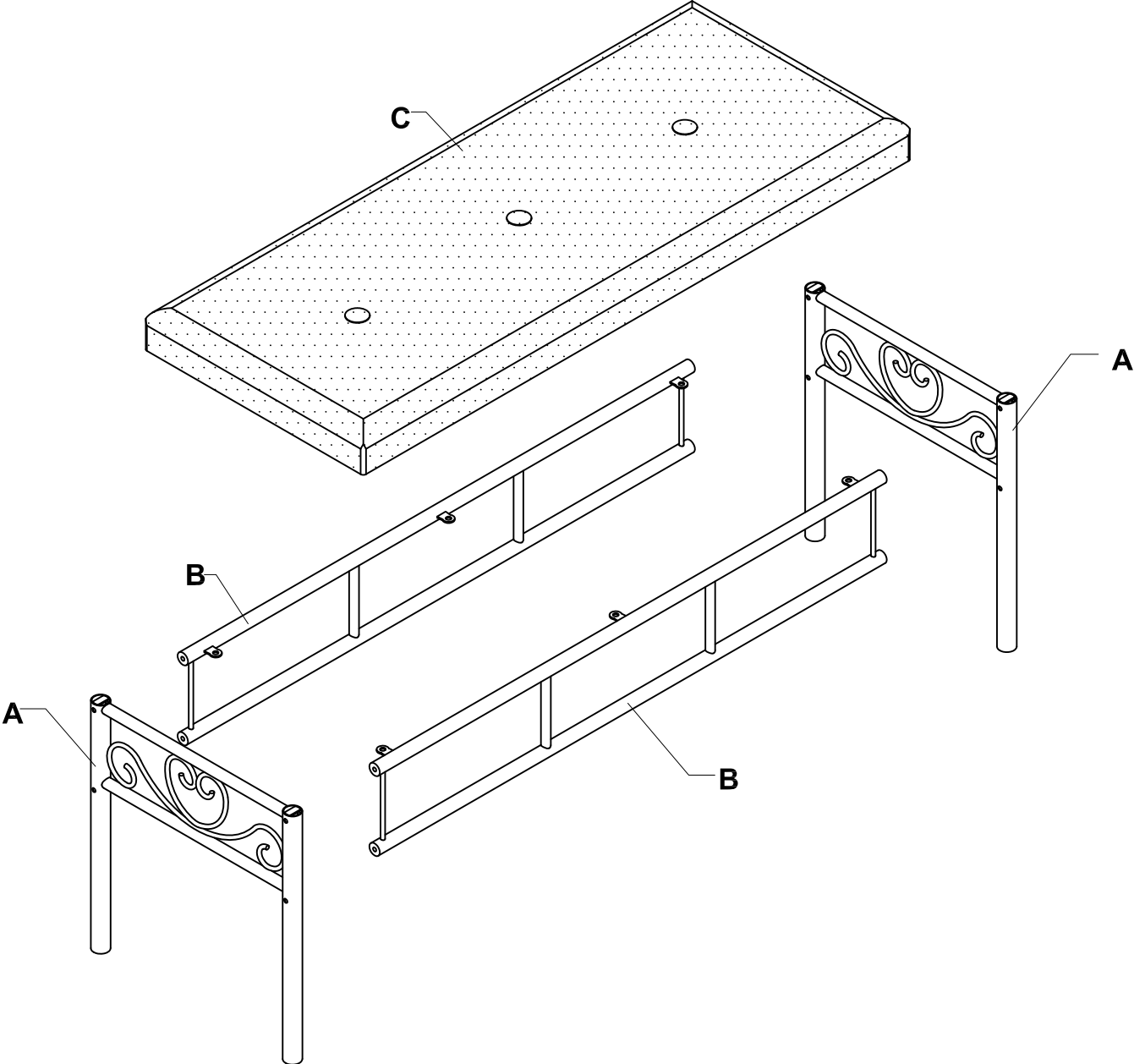
HARDWARE IDENTIFICATION



NOTE:

Phillips head screw driver is required in the assembly process; however, manufacturer does not provide this item.

ITEM: 401156





ITEM: **401156**

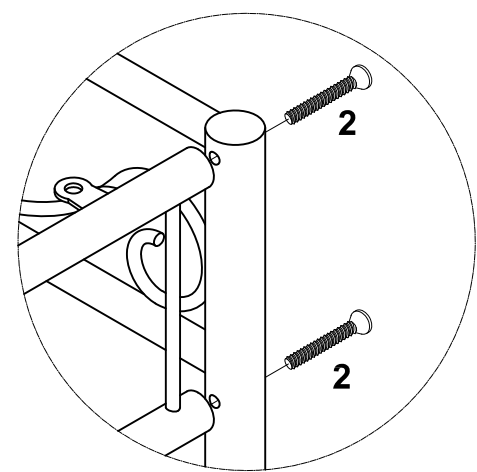
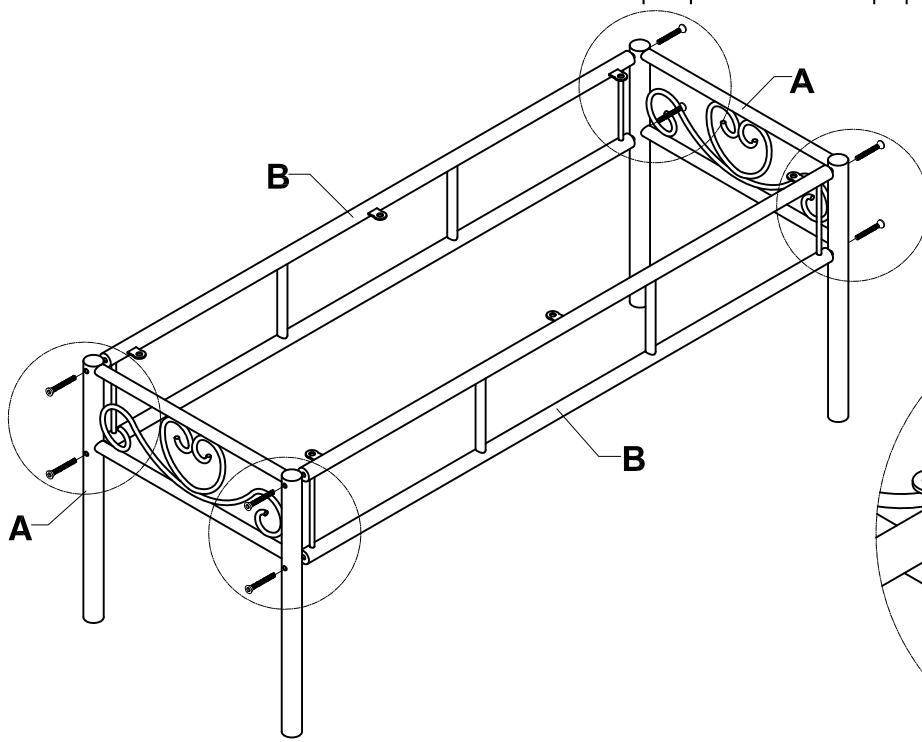
ASSEMBLY INSTRUCTIONS

STEP 1:



ASSEMBLY

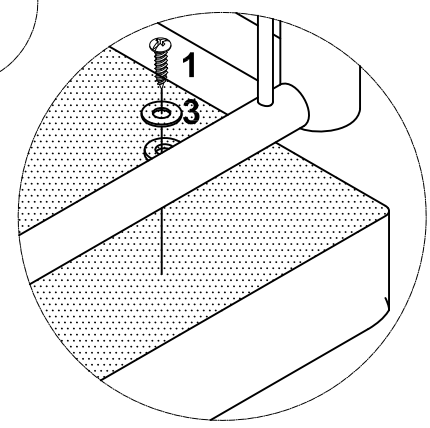
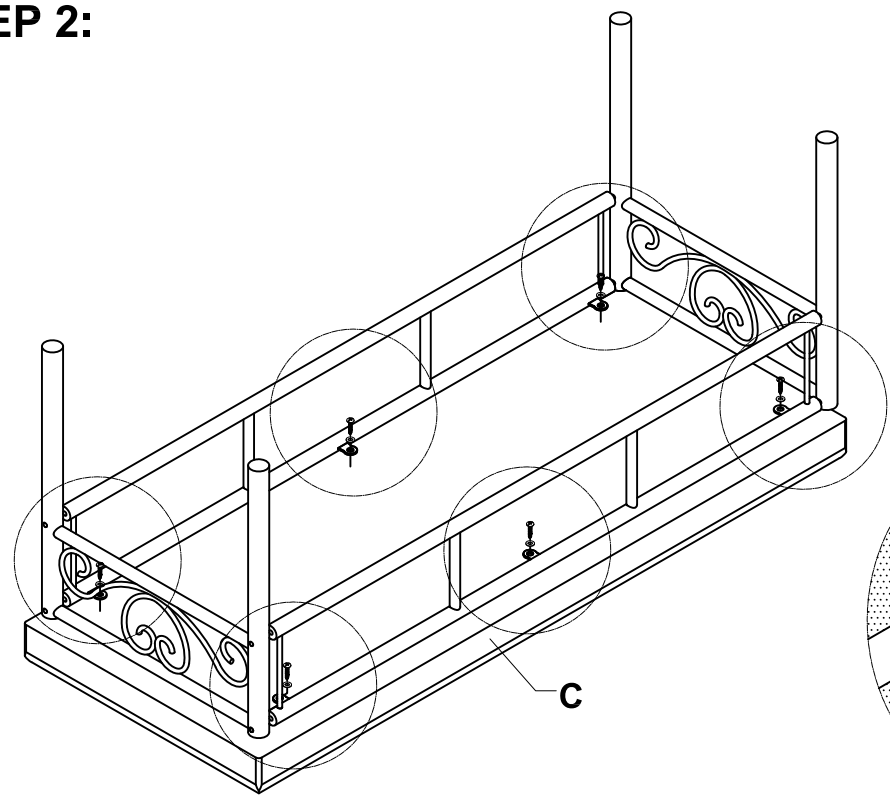
Do not fully tighten all bolts until assembly is complete.
This will help all parts to assemble properly.

- | | | |
|---|---|------|
| 2 |  | 8PCS |
| 4 |  | |



STEP 2:

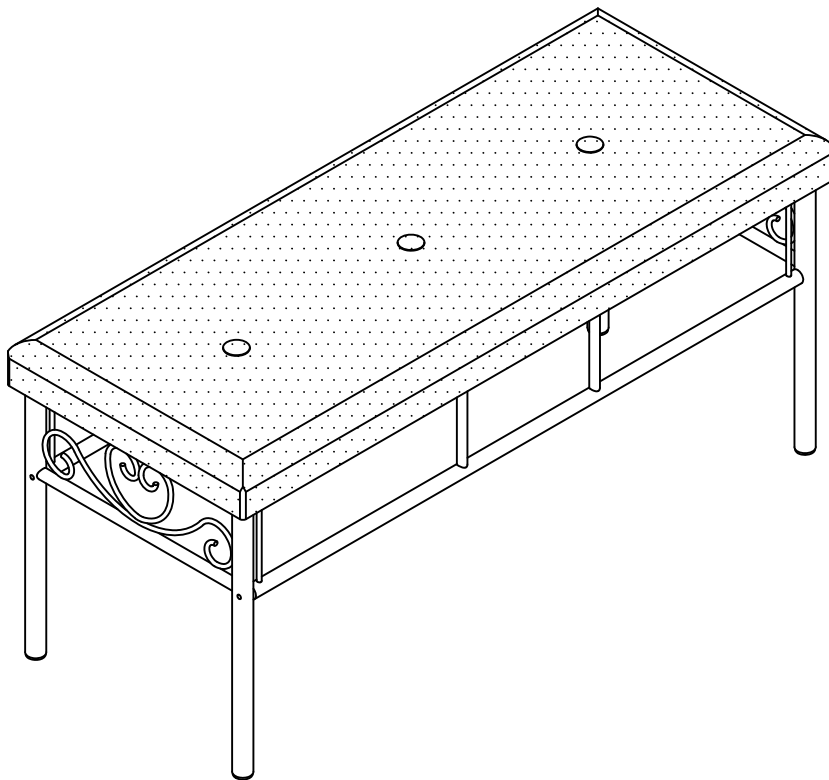
- | | | |
|---|---|------|
| 1 |  | 6PCS |
| 3 |  | 6PCS |



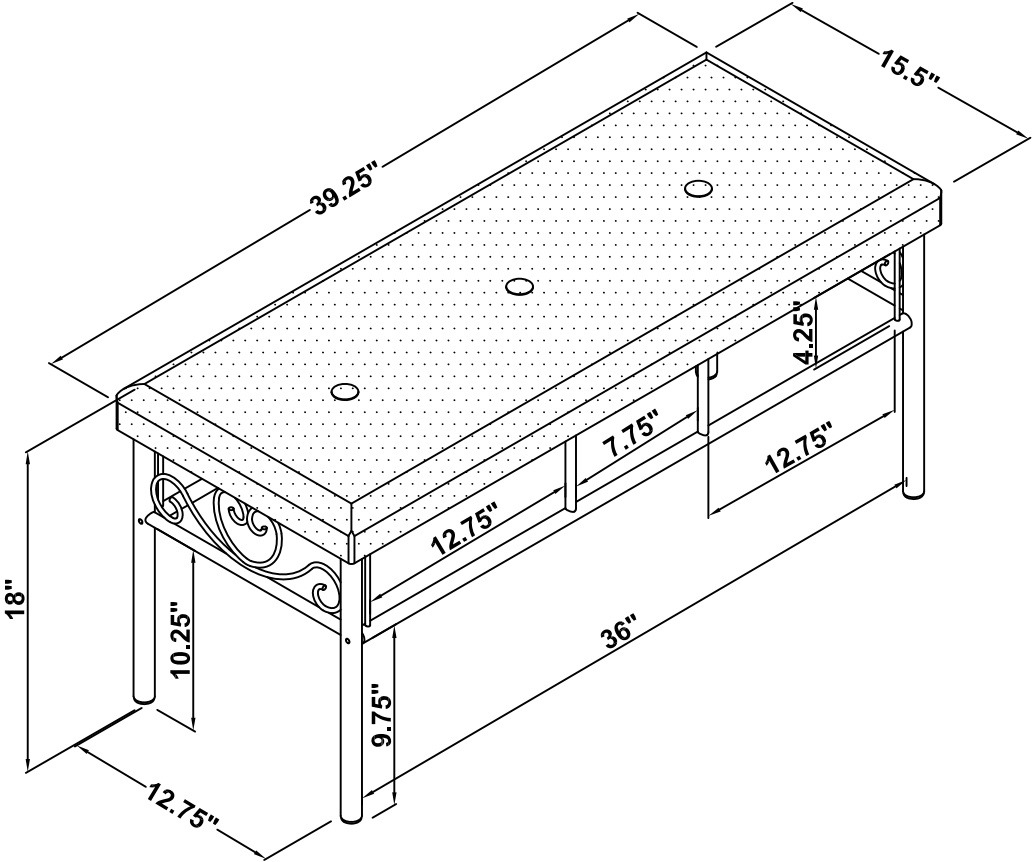
ITEM: **401156**

ASSEMBLY INSTRUCTIONS

STEP 3:



ITEM: 401156



Note : Dimension tolerance $\pm 5\%$