

**ASSEMBLY INSTRUCTIONS**  
**COASTER FINE FURNITURE**



*Fine Furniture for every stage of life*

**100958**  
**Counter Height Table**

# ITEM : 100958



## ASSEMBLY INSTRUCTIONS

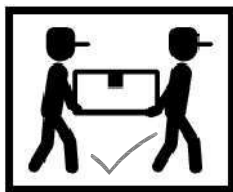
### ASSEMBLY TIPS :

1. Remove hardware from box and sort by size.
2. Please check to see that all hardware and parts are present prior to start of assembly.
3. Please follow attached instructions in the same sequence as numbered to assure fast & easy assembly.



### WARNING !

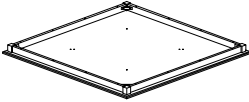
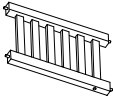
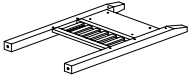
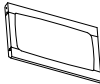
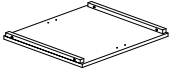
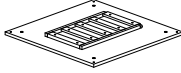
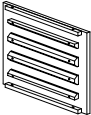
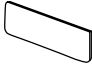
1. Don't attempt to repair or modify parts that are broken or defective. Please contact the store immediately.
2. This product is for home use only and not intended for commercial establishments.






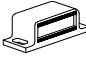



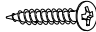

ASSEMBLY TIME

45 MINUTES

## PARTS IDENTIFICATION

A	TOP		1PC	E	TRAY PANEL		2PCS
B	LEG FRAME		2PCS	F	DOOR WITH CUSHION PAD		2PCS
C	TOP PANEL		1PC	G	PANEL WITH GLASS HOLDER		1PC
D	BOTTOM PANEL		1PC	H	CUSHION PAD		2PCS

## HARDWARE IDENTIFICATION

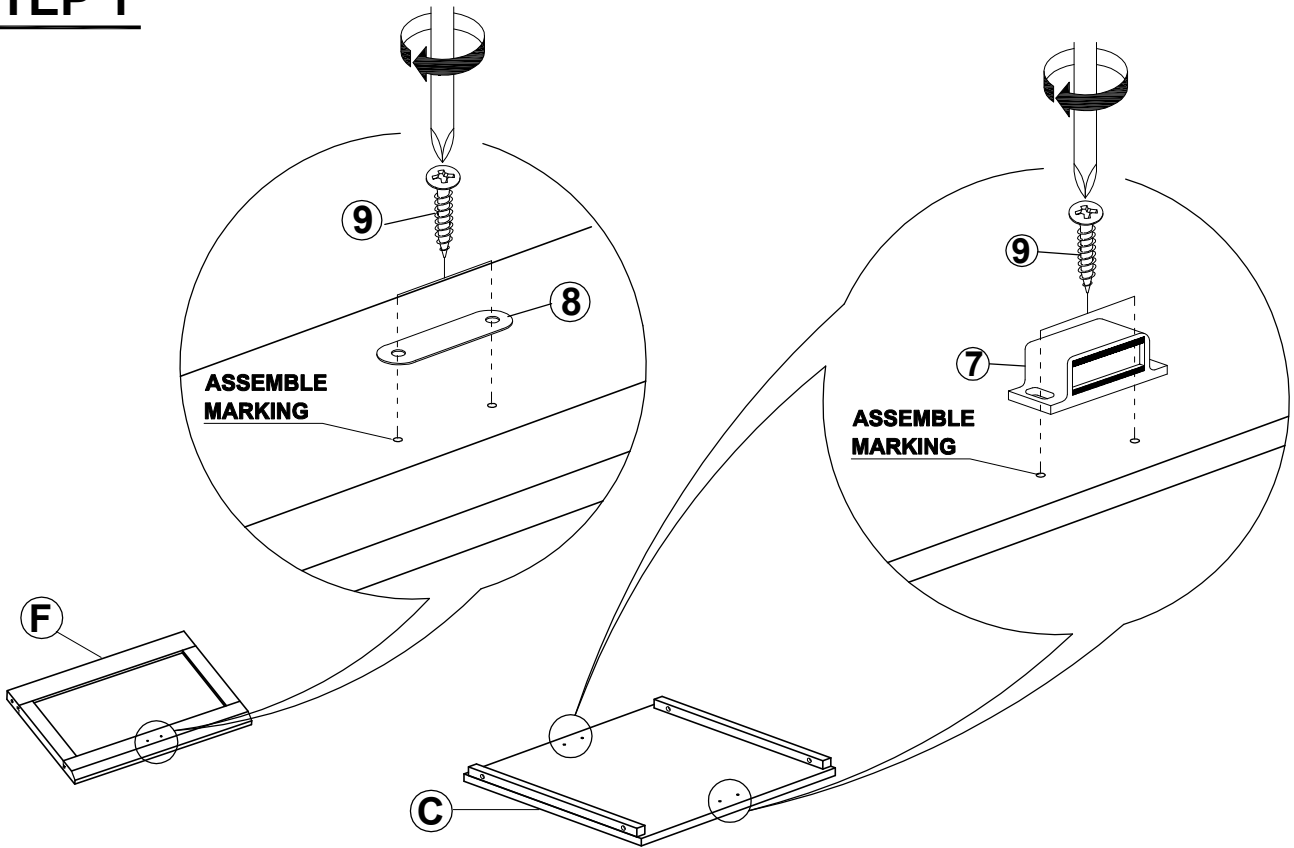
1	ALLEN WRENCH (M4 x 110mm - BLK)		1PC	6	WOOD DOWEL (M8 x 25mm)		2PCS
2	BOLT (M6 x 30mm - RBW)		12PCS	7	MAGNETIC CATCH (46mm x 16mm - BRW)		2PCS
3	HEX HEAD SCREW (M7 x 40mm - RBW)		4PCS	8	MAGNETIC CATCH PLATE (45mm x 12mm - SIL)		2PCS
4	FLAT WASHER (5/16" - RBW)		4PCS	9	FLAT HEAD SCREW (M3 x 12mm - RBW)		8PCS
5	METAL PIN (M5 x 16mm - ZB)		4PCS				

ITEM: **100958**

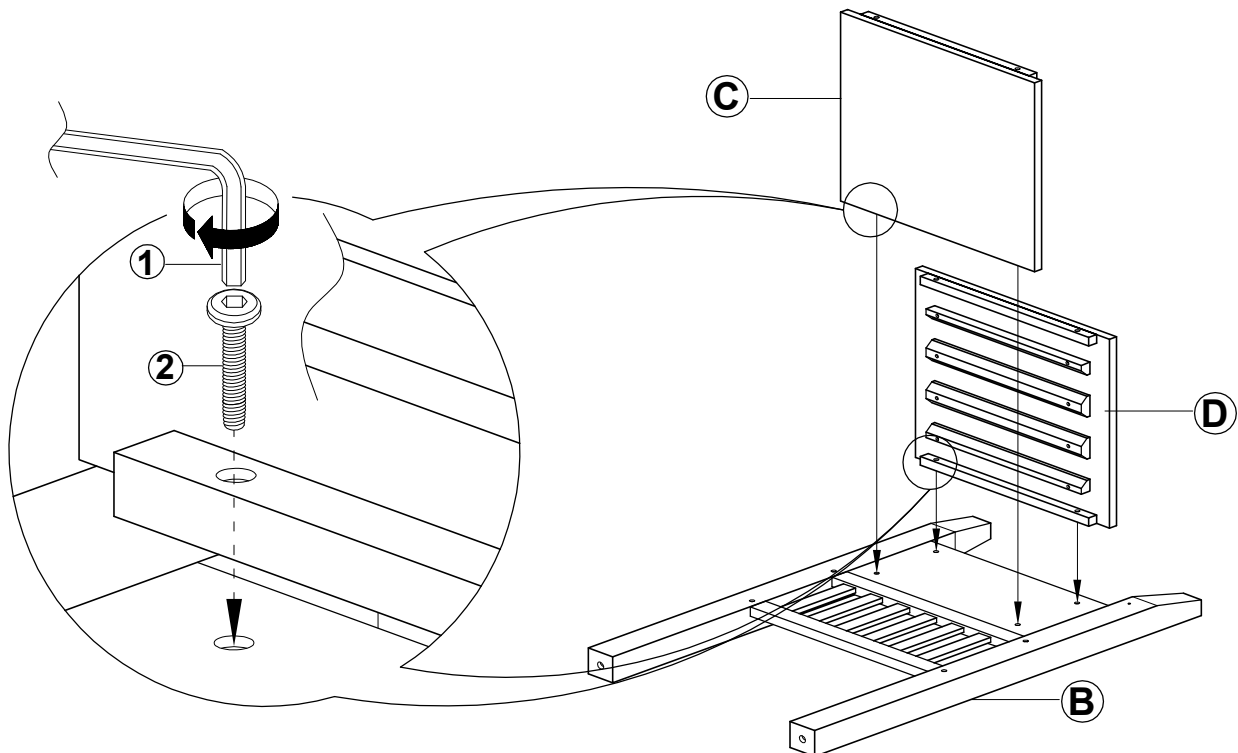


## ASSEMBLY INSTRUCTIONS

### STEP 1



### STEP 2

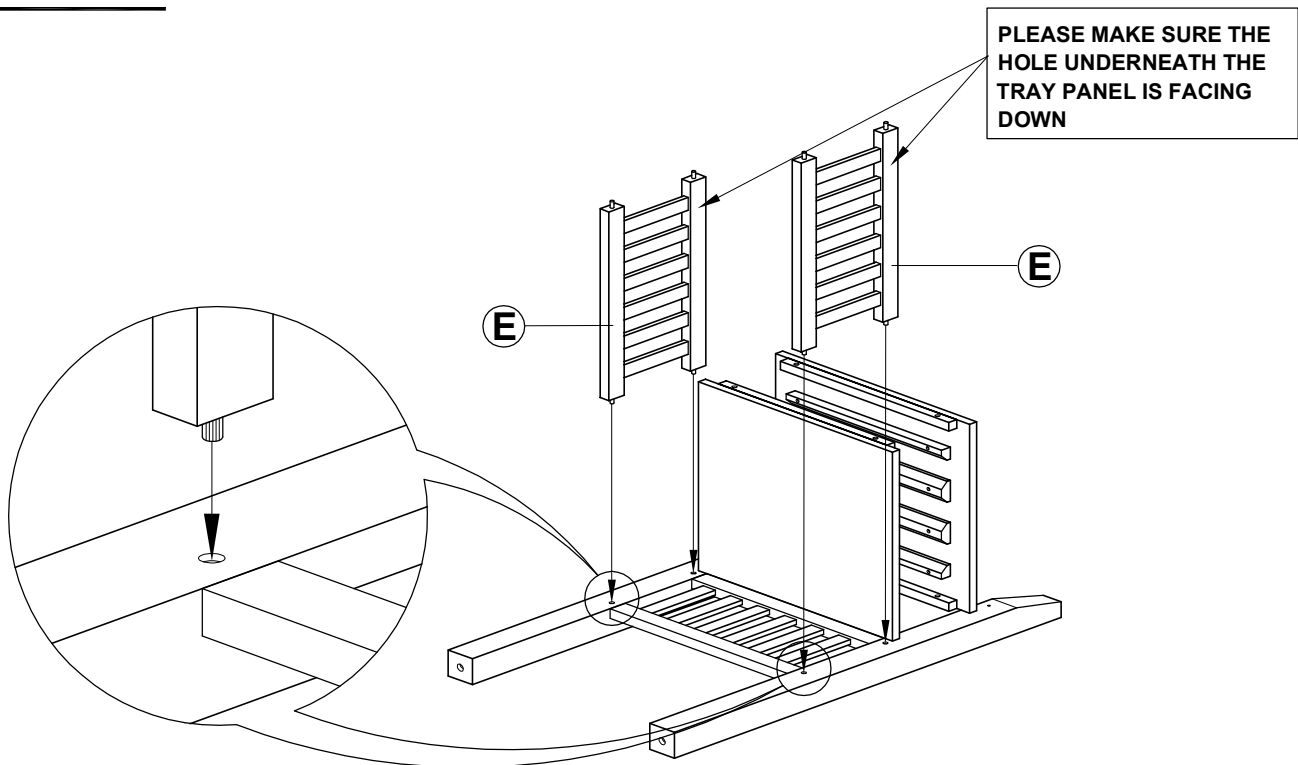


ITEM: **100958**

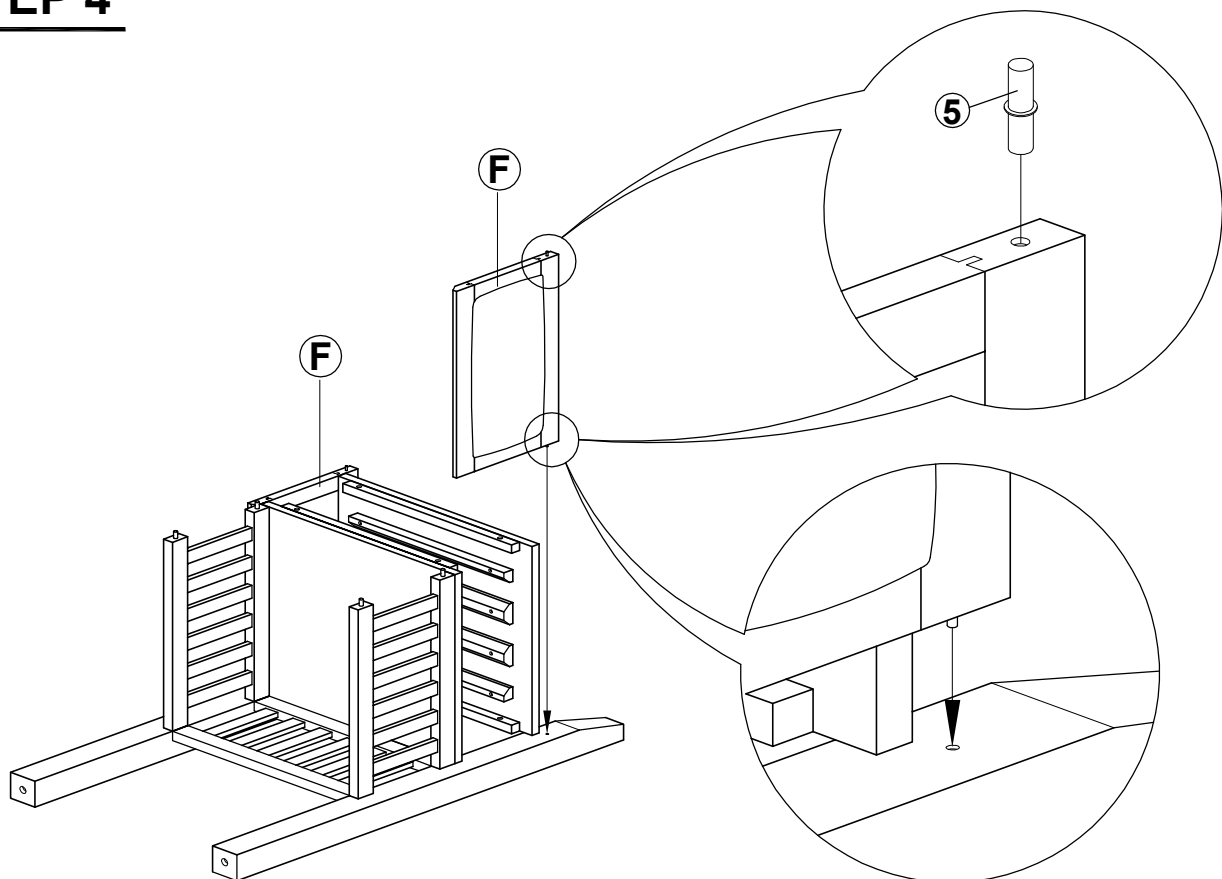


## ASSEMBLY INSTRUCTIONS

### STEP 3



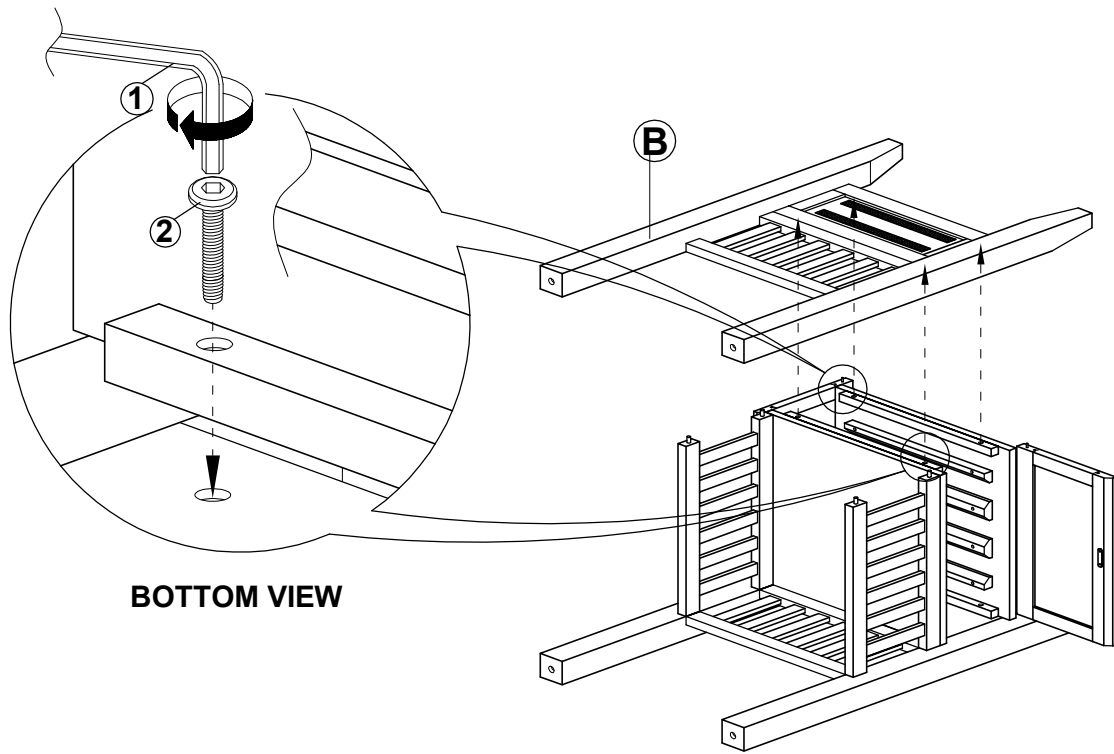
### STEP 4



ITEM: **100958**

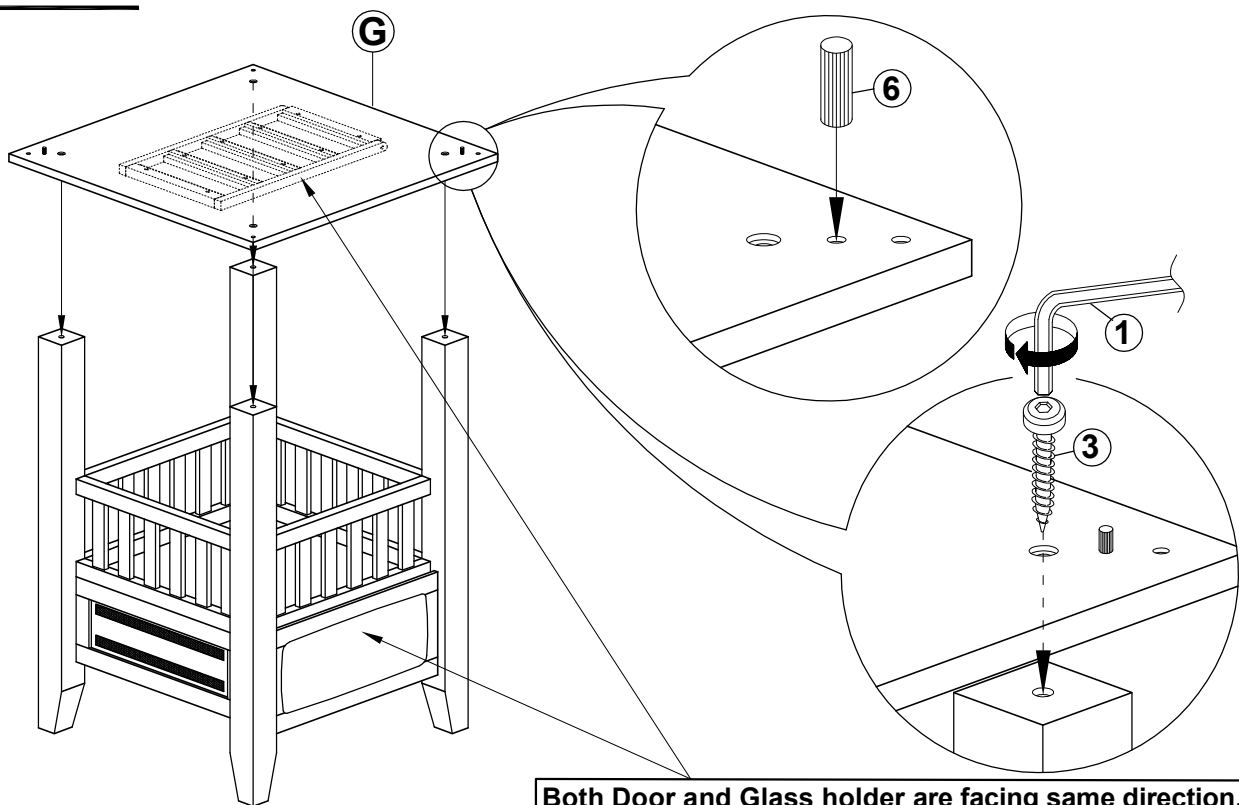
**ASSEMBLY INSTRUCTIONS**

**STEP 5**



**BOTTOM VIEW**

**STEP 6**



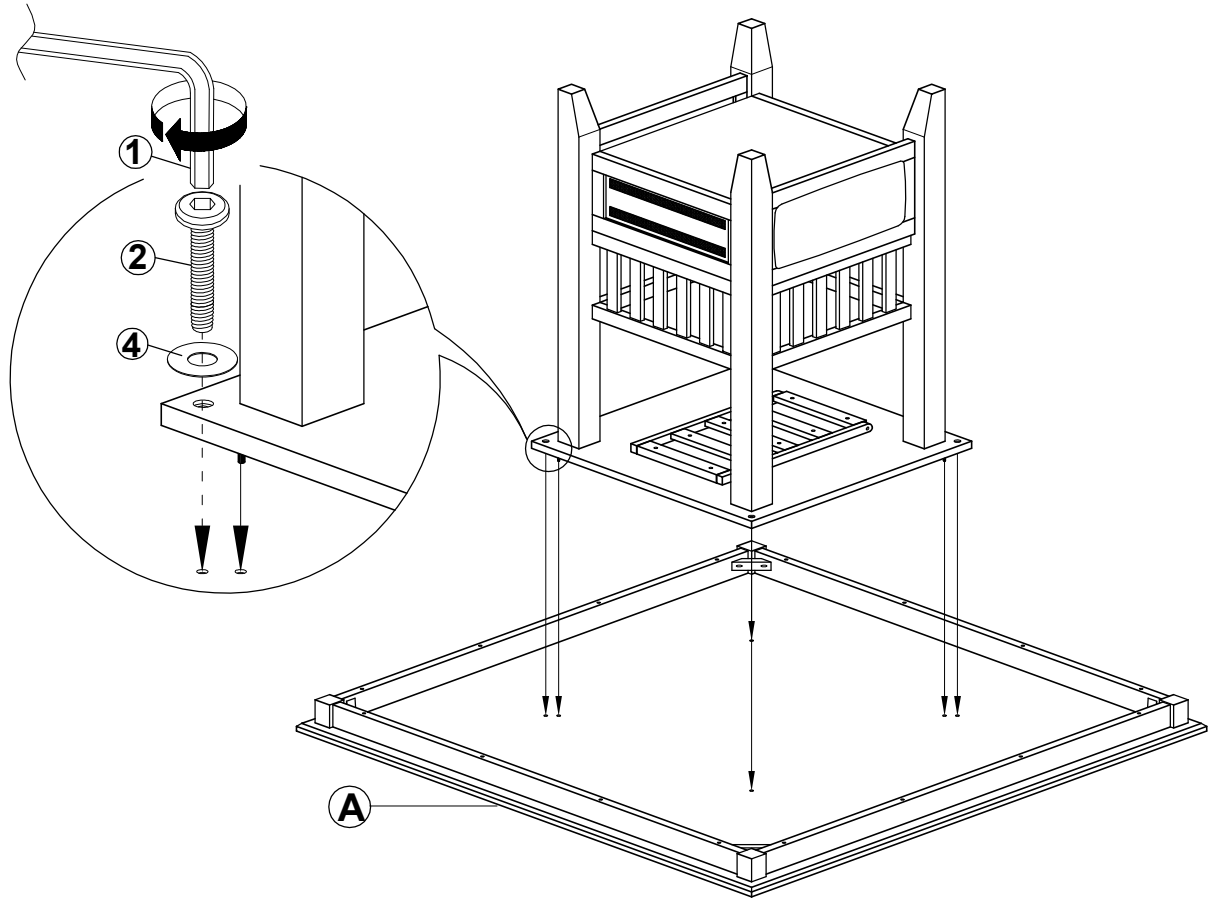
**Both Door and Glass holder are facing same direction.**

ITEM: **100958**

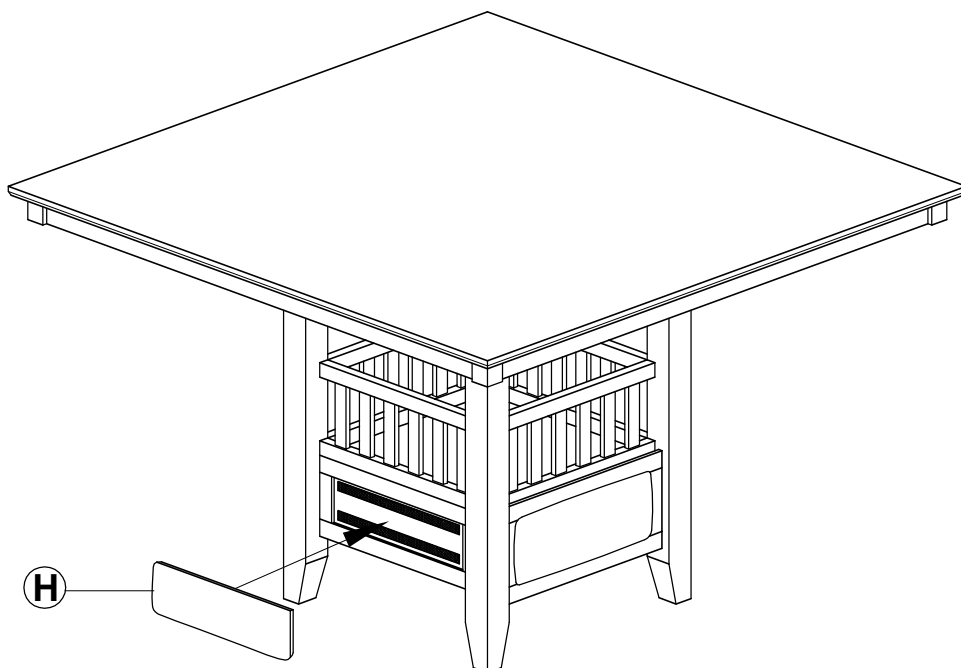


**ASSEMBLY INSTRUCTIONS**

**STEP 7**



**STEP 8**



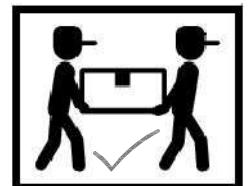
ITEM: **100958**



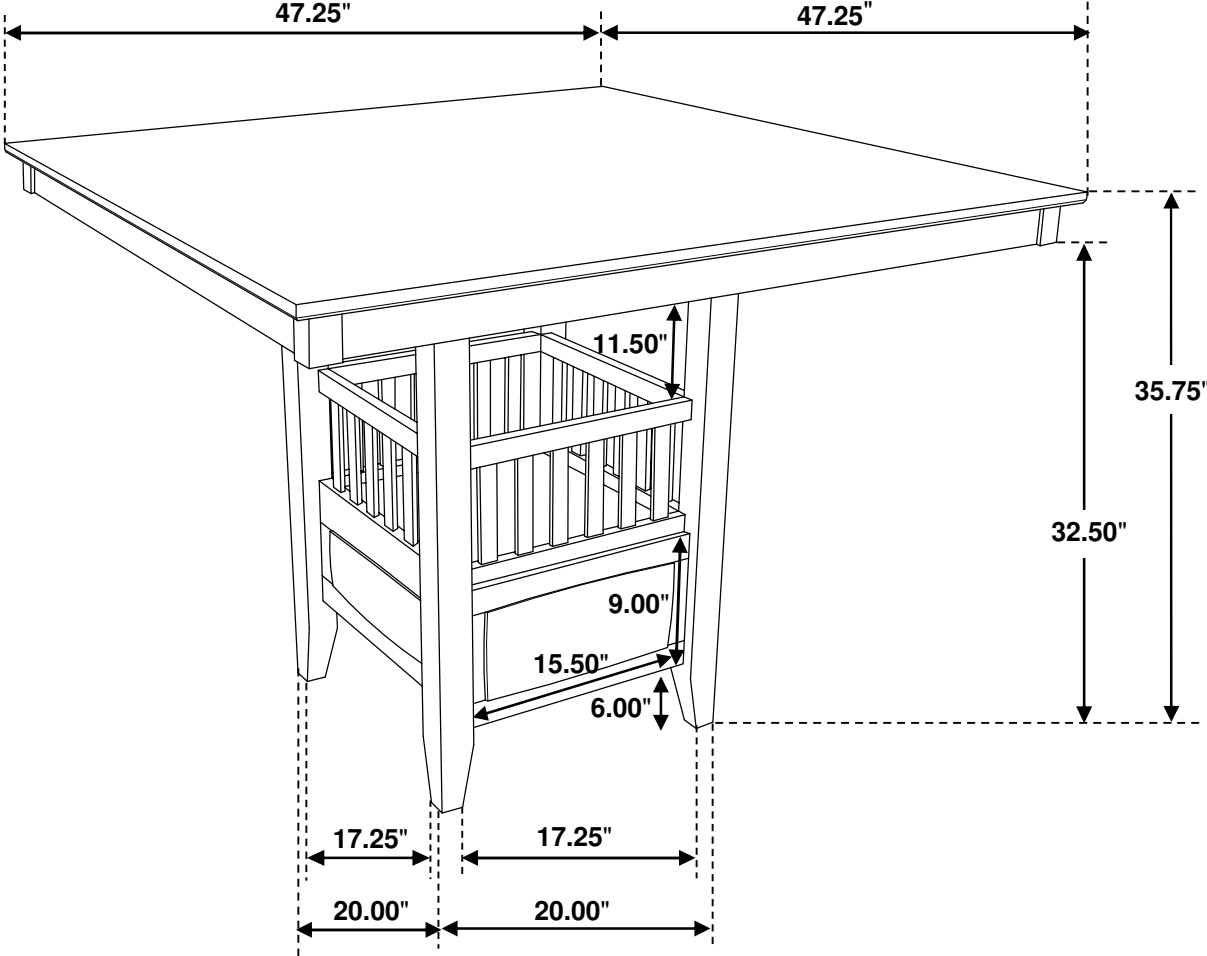
**ASSEMBLY INSTRUCTIONS**

**STEP 9**

**COMPLETE**



ITEM: 100958



Note: Dimension tolerance  $\pm 5\%$