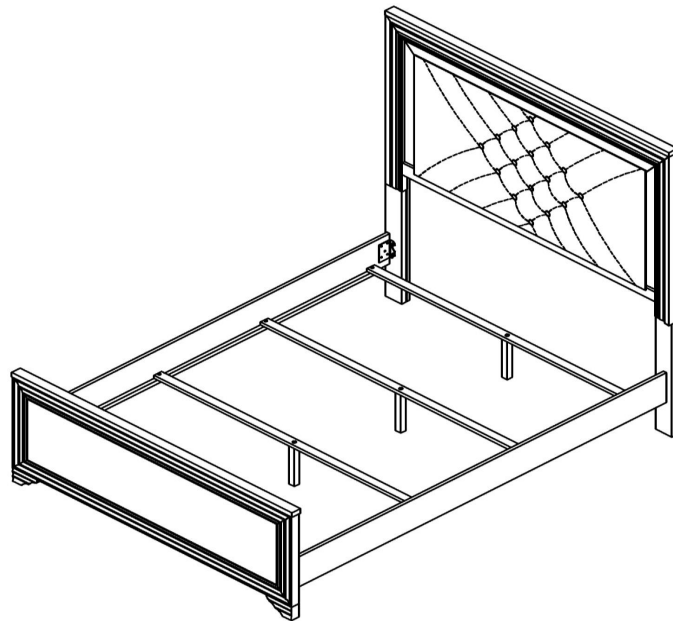


ASSEMBLY INSTRUCTIONS
COASTER FINE FURNITURE



Fine Furniture for every stage of life

223571Q(B1-B3)
Queen Bed

ITEM: 223571Q(B1-B3)



ASSEMBLY INSTRUCTIONS

ASSEMBLY TIPS:

1. Remove hardware from box and sort by size.
2. Please check to see that all hardware and parts are present prior to start of assembly.
3. Please follow attached instructions in the same sequence as numbered to assure fast & easy assembly.



WARNING!

1. Don't attempt to repair or modify parts that are broken or defective. Please contact the store immediately.
2. This product is for home use only and not intended for commercial establishments.

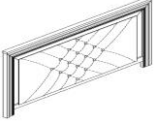
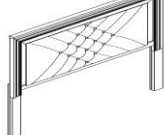






ASSEMBLY TIME




20 MINUTES

PARTS IDENTIFICATION


B1 (BOX 1)

A	HEADBOARD PANEL		1PC	HB	223571Q (B1) *FROM BOX 1 HEADBOARD COMPLETE		1PC
B	LEFT HEADBOARD LEG		1PC	D	223571Q (B2) *FROM BOX 2 FOOTBOARD		1PC
C	RIGHT HEADBOARD LEG		1PC				
AD	ADAPTER		1PC				

B2 (BOX 2)

D	FOOTBOARD		1PC
E	BED SLAT		4PCS
F	BED SLAT SUPPORT WITH LEVELER		4PCS

B3 (BOX 3)

G	BED RAIL		2PCS
---	----------	---	------

NOTE:

Phillips head screw driver is required in the assembly process; however, manufacturer does not provide this item.

ITEM: 223571Q(B1-B3)



ASSEMBLY INSTRUCTIONS

ASSEMBLY TIPS:

1. Remove hardware from box and sort by size.
2. Please check to see that all hardware and parts are present prior to start of assembly.
3. Please follow attached instructions in the same sequence as numbered to assure fast & easy assembly.







WARNING!





1. Don't attempt to repair or modify parts that are broken or defective. Please contact the store immediately.
2. This product is for home use only and not intended for commercial establishment

HARDWARE IDENTIFICATION

Z-B1 (BOX 1) - HARDWARE PACK IS LOCATED IN 223571Q (B1)

1	LONG BOLT (M8 x 40mm - BLK)		6PCS
2	LOCK WASHER (M8 - BLK)		6PCS
3	FLAT WASHER (M8 x 18mm - BLK)		6PCS
4	ALLEN WRENCH (M5 x 65mm - BLK)		1PC

Z-B2 (BOX 2) - HARDWARE PACK IS LOCATED IN 223571Q (B2)

5	SHORT BOLT (M8 x 20mm - RBW)		8PCS
6	FLAT WASHER (M8 x 18mm - RBW)		8PCS
7	ALLEN WRENCH (M5 x 65mm - BLK)		1PC
8	PAN HEAD SCREW (M4 x 32mm - BLK)		8PCS

NOTE:

Phillips head screw driver is required in the assembly process; however, manufacturer does not provide this item.

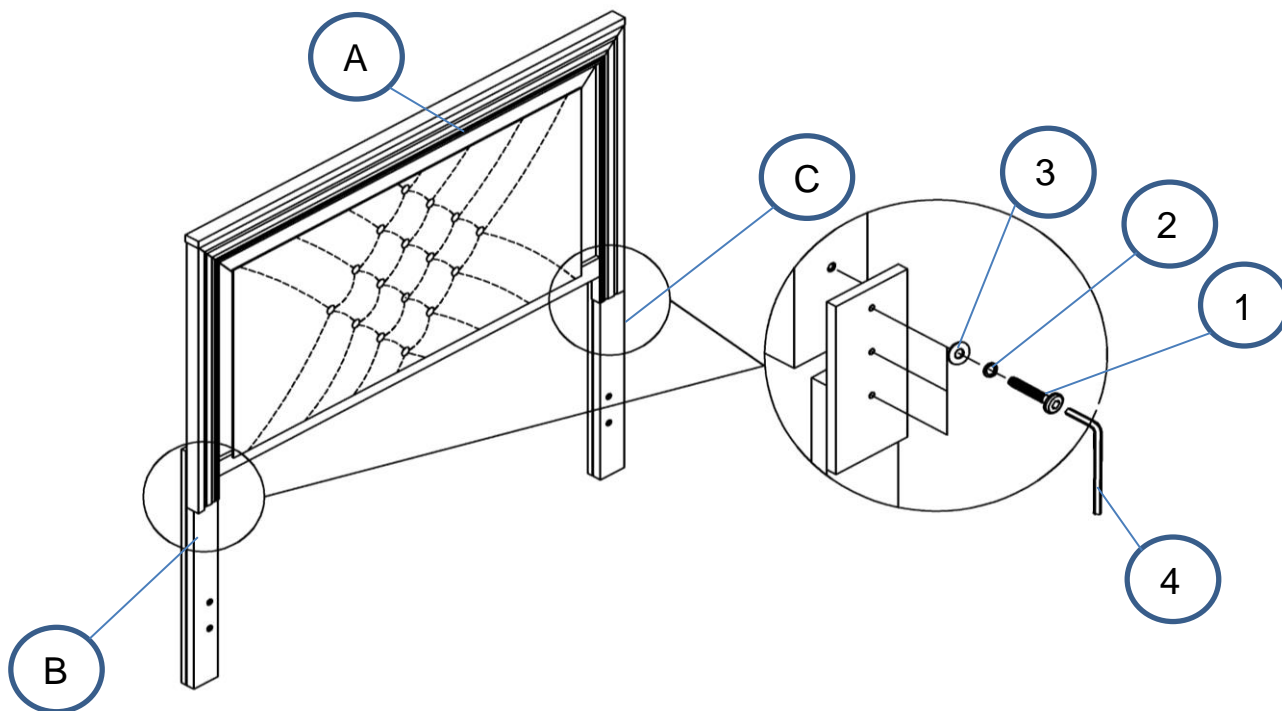
ITEM: **223571Q(B1-B3)**



ASSEMBLY INSTRUCTIONS

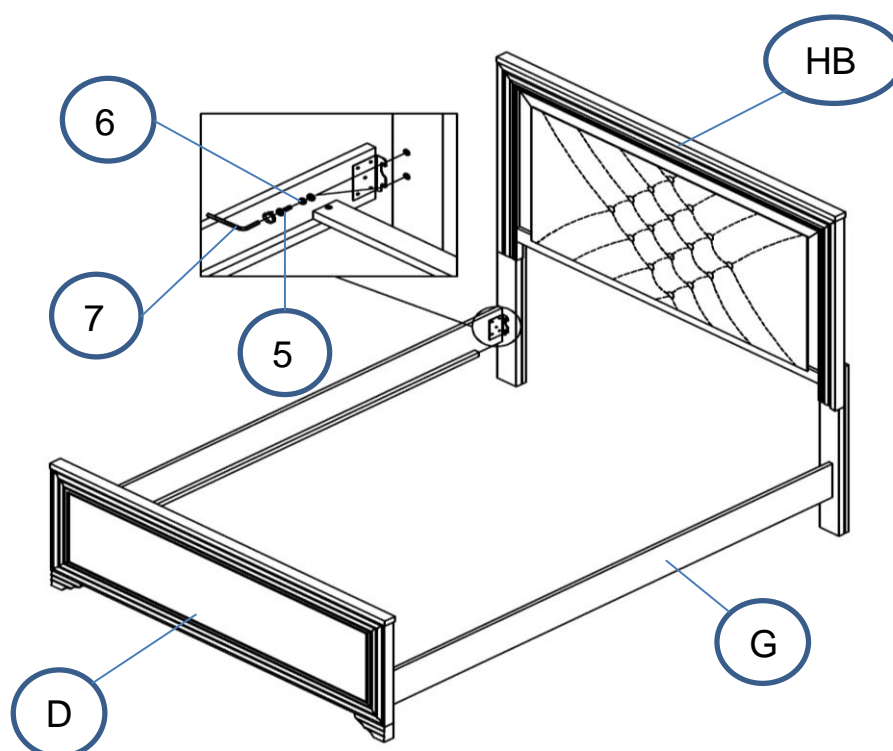
223571Q (B1) - BOX 1

STEP 1



223571Q (B1-B3) - BOX 1 TO BOX 3

STEP 2

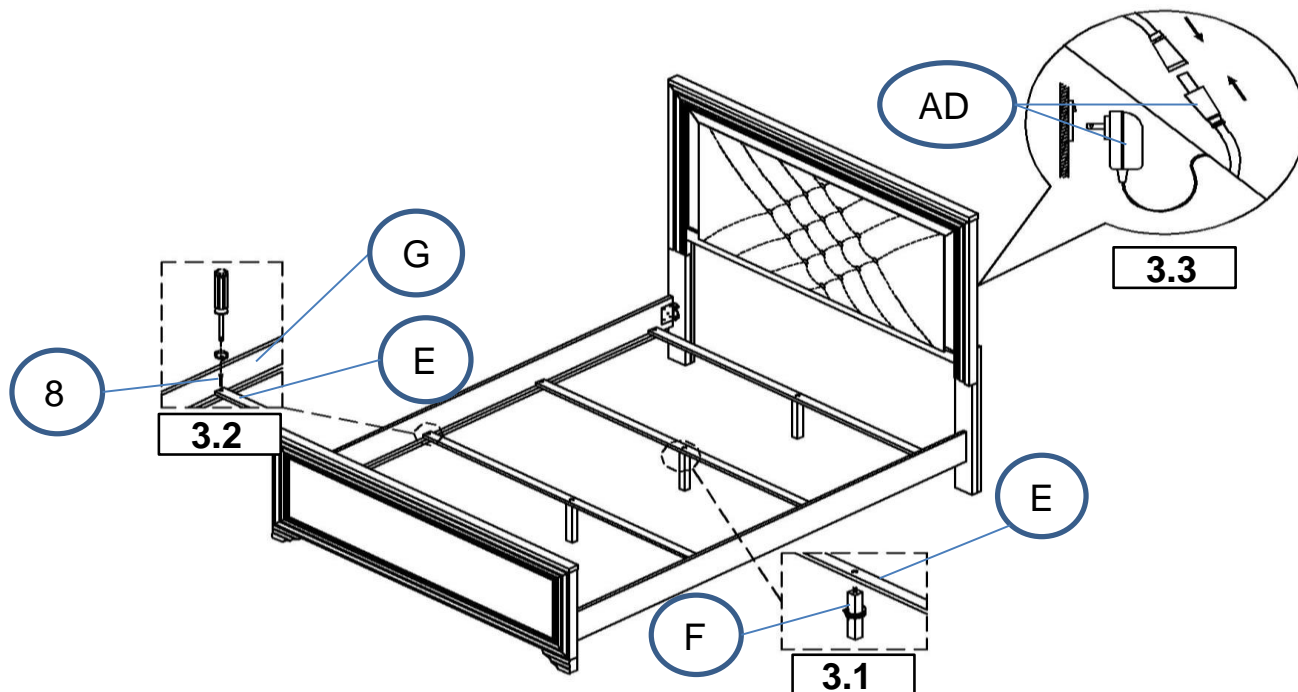


ITEM: **223571Q(B1-B3)**

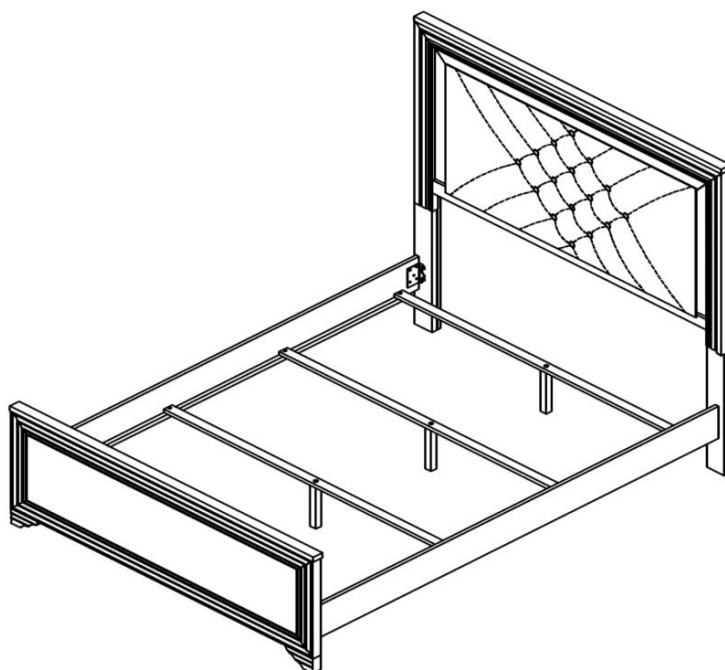


ASSEMBLY INSTRUCTIONS

STEP 3



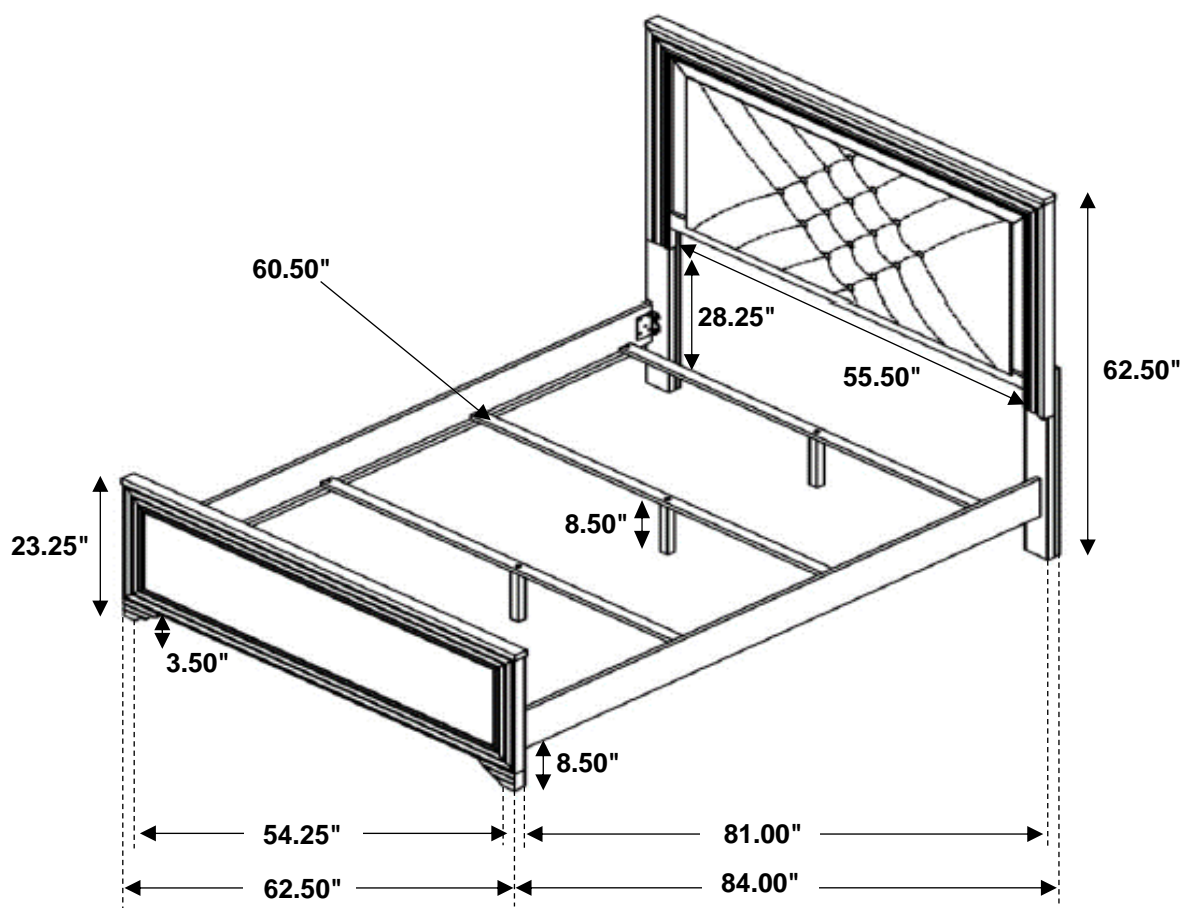
STEP 4 COMPLETE



ITEM: **223571Q(B1-B3)**



Inner Size: 60.75"W X 81.00"D



Note: Dimension tolerance $\pm 5\%$