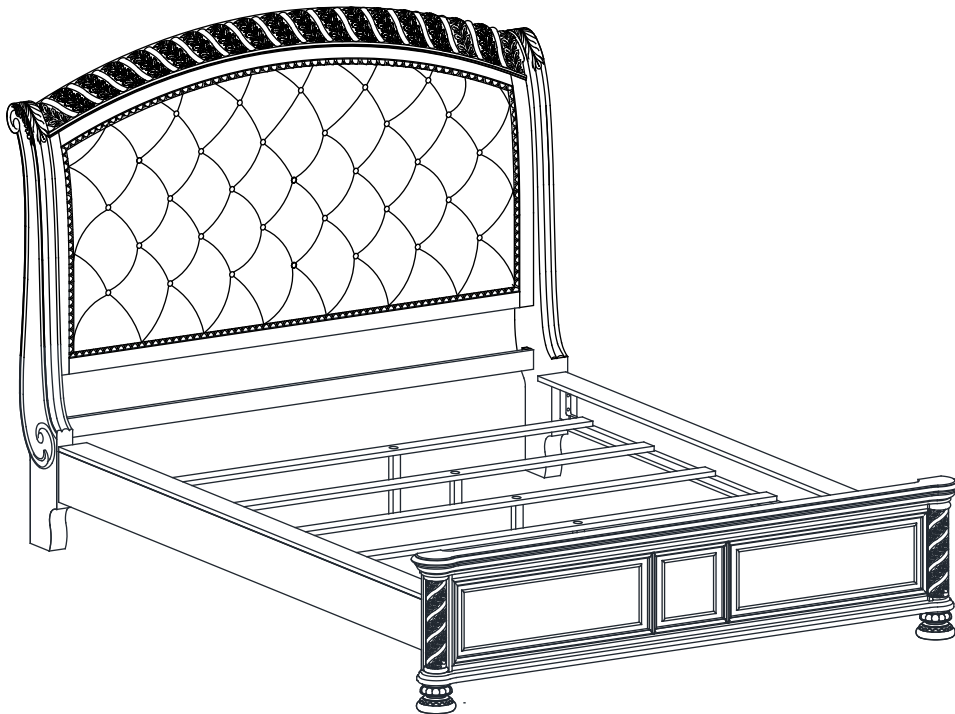


ASSEMBLY INSTRUCTIONS
COASTER FINE FURNITURE



Fine Furniture for very stage of life

224441Q(B1-B3)
Queen Bed

ITEM: 22441Q(B1-B3)



ASSEMBLY INSTRUCTIONS

ASSEMBLY TIPS:

- 1.Remove hardware from box and sort by size.
- 2.Please check to see that all hardware and parts are present prior to start of assembly.
- 3.Please follow attached instruction in the same sequence as numbered to assure fast & easy assembly.



WARNING!

- 1.Don't attempt to repair or modify parts that are broken or defective. Please contact the store immediately.
- 2.This product is for home use only and not intended for commercial establishments.



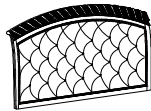
ASSEMBLY TIME

25 MINUTES

PARTS IDENTIFICATION

B1 (BOX 1)

A HEADBOAR PANEL



1PC

B HEADBOARD BOTTOM RAIL



1PC

C RIGHT HEADBOARD LEG



1PC

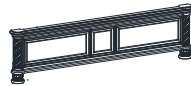
D LEFT HEADBOARD LEG



1PC

B2 (BOX 2)

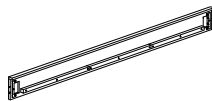
E FOOTBOARD



1PC

B3 (BOX 3)

F BED RAIL



2PCS

G BED SLAT SUPPORT WITH LEVELER



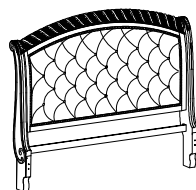
4PCS

H BED SLAT



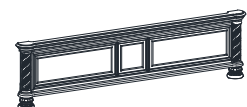
4PCS

HB 224441Q (B1)
FROM BOX 1
HEADBOARD
COMPLETE



1PC

FB 224441Q (B2)
FROM BOX 2
FOOTBOARD



1PC

NOTE:

Phillips head screw driver is required in the assembly process; however, manufacturer does not provide this item.

ITEM: 22441Q(B1-B3)



ASSEMBLY INSTRUCTIONS

ASSEMBLY TIPS:

- 1.Remove hardware from box and sort by size.
- 2.Please check to see that all hardware and parts are present prior to start of assembly.
- 3.Please follow attached instruction in the same sequence as numbered to assure fast & easy assembly.





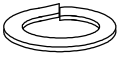


WARNING!



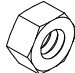

- 1.Don't attempt to repair or modify parts that are broken or defective. Please contact the store immediately.
- 2.This product is for home use only and not intended for commercial establishments.

HARDWARE IDENTIFICATION

Z-B1 (BOX 1) - HARDWARE PACK IS LOCATED IN 22441Q (B1)

1	LONG BOLT (Ø5/16" x 60MM-BLK)		6PCS	4	FLAT WASHER (Ø5/16" - BLK)		10PCS
2	SHORT BOLT (Ø5/16" x 45MM-BLK)		4PCS	5	ALLEN WRENCH (5MM- BLK)		1PC
3	LOCK WASHER (Ø5/16" - BLK)		10PCS				

Z-B3 (BOX 3) - HARDWARE PACK IS LOCATED IN 22441Q (B3)

6	THREADED BOLT (Ø5/16" x 90MM - RBW)		8PCS	8	FLAT HEAD SCREW (Ø4 x 30MM - RBW)		8PCS
7	HEX NUT (Ø5/16" x 12MM- RBW)		8PCS	9	WRENCH (14MM - RBW)		1PC

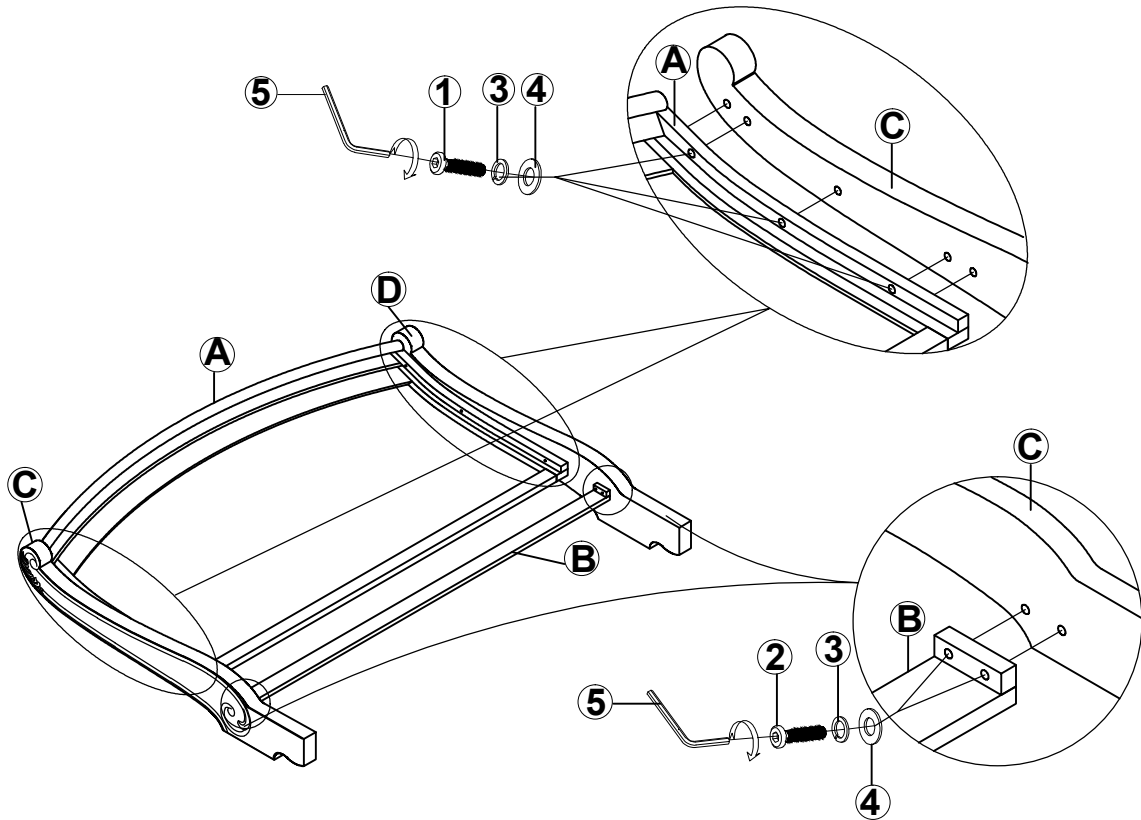
NOTE:

Phillips head screw driver is required in the assembly process; however, manufacturer does not provide this item.

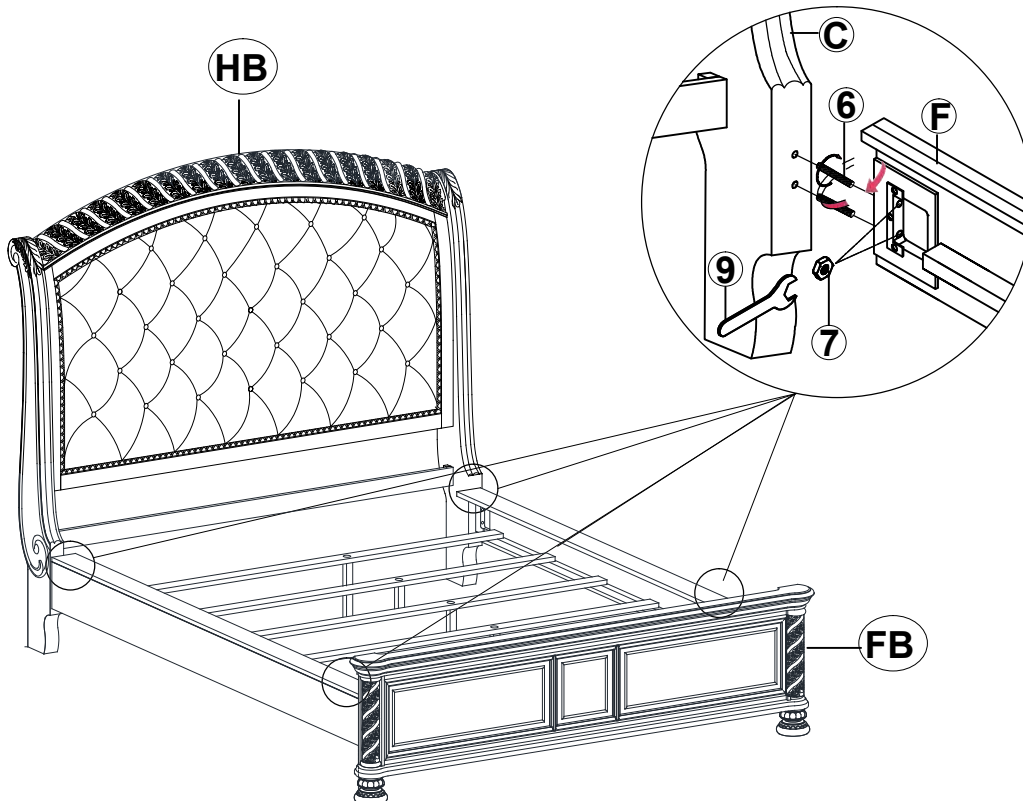
ITEM: **22441Q(B1-B3)**

ASSEMBLY INSTRUCTIONS

STEP 1



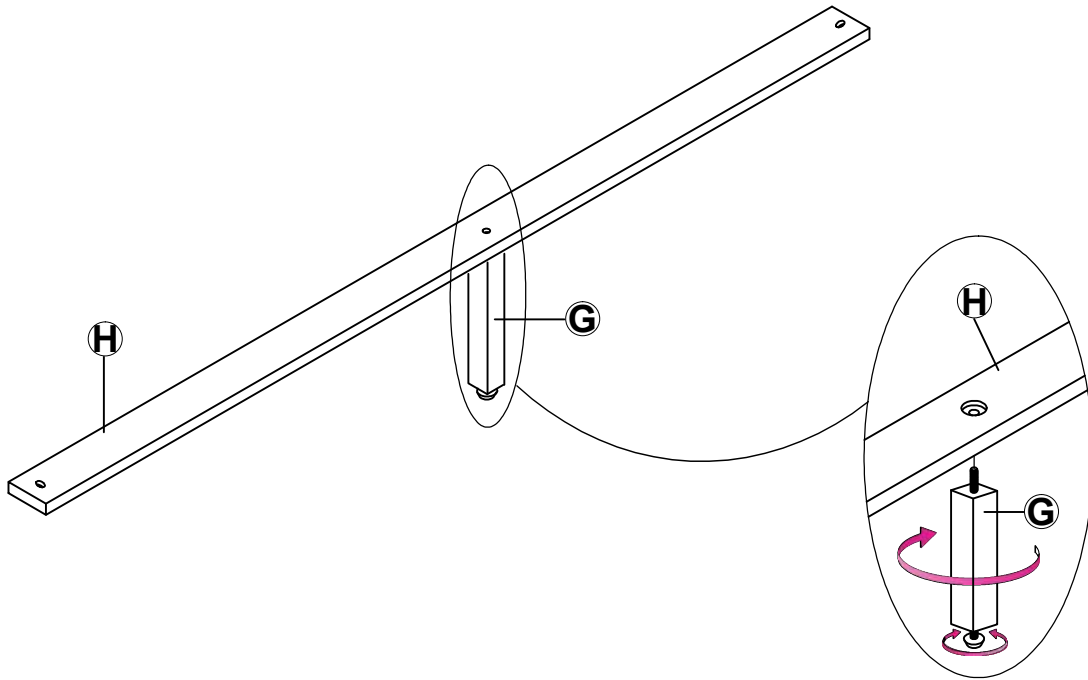
STEP 2



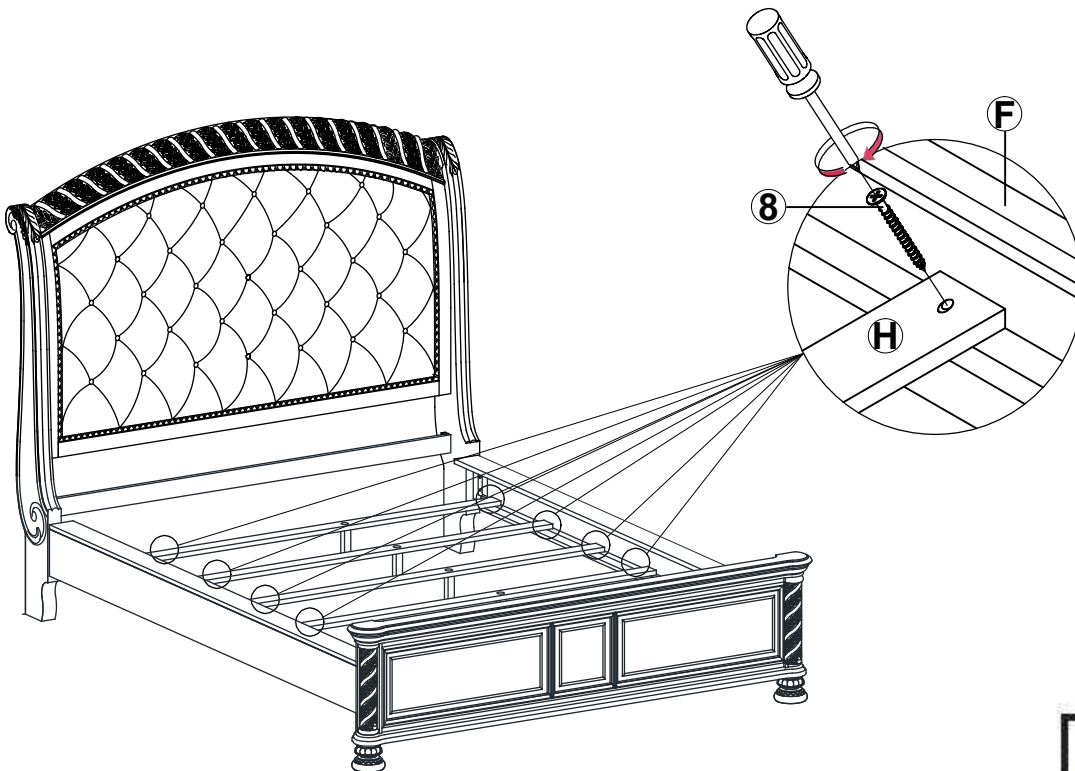
ITEM: **22441Q(B1-B3)**

ASSEMBLY INSTRUCTIONS

STEP 3



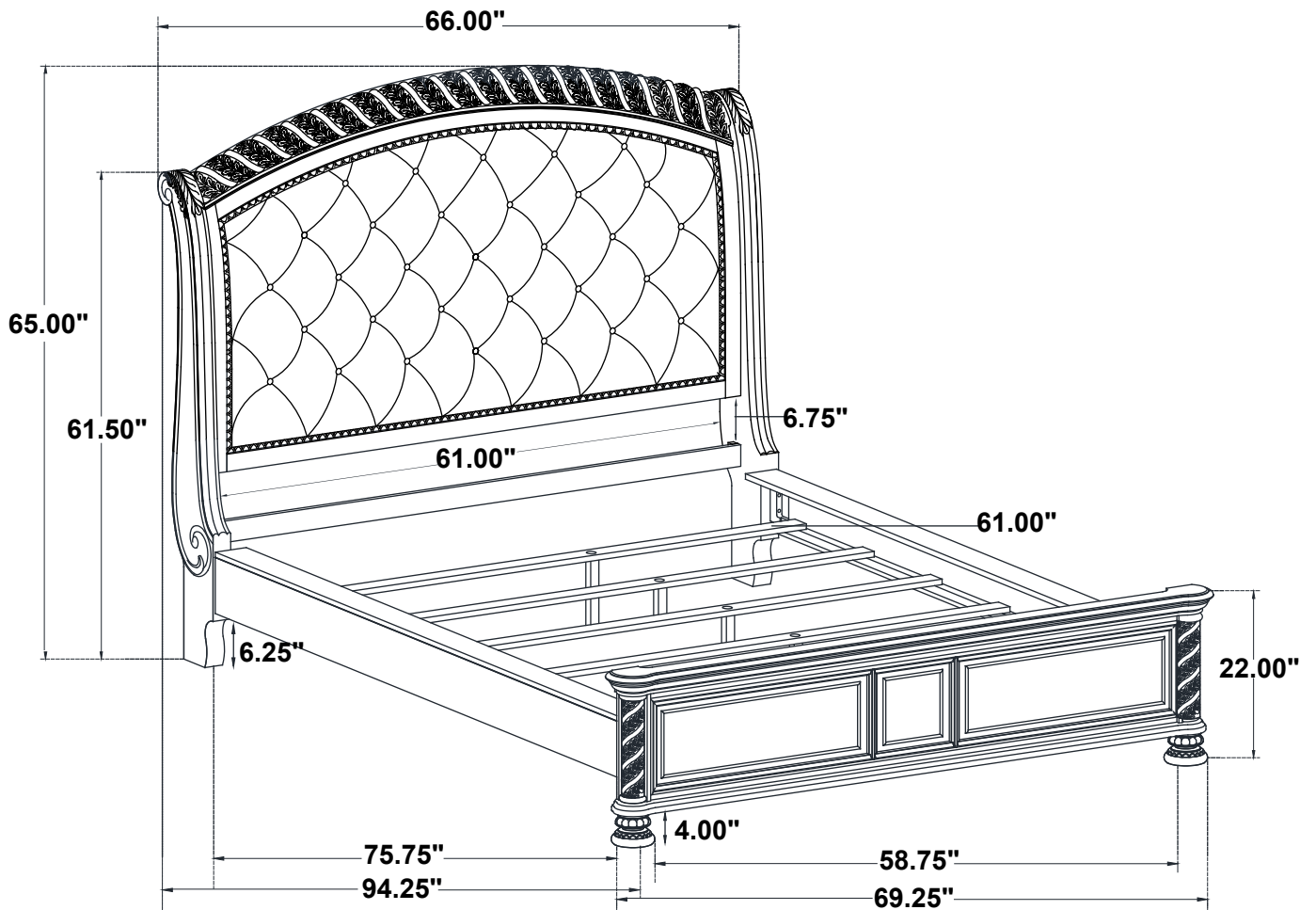
STEP 4



ITEM: **22441Q(B1-B3)**



Inner Size : 81.00"W X 61.00"D



Note: Dimension tolerance $\pm 5\%$