

ASSEMBLY INSTRUCTIONS
COASTER FINE FURNITURE



Fine Furniture for every stage of life

460235
5Pc Youth Table Set

ITEM: **460235**



ASSEMBLY INSTRUCTIONS

ASSEMBLY TIPS:

1. Remove hardware from box and sort by size.
2. Please check to see that all hardware and parts are present prior to start of assembly.
3. Please follow attached instructions in the same sequence as numbered to assure fast & easy assembly.



WARNING!

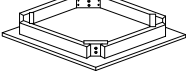

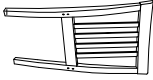
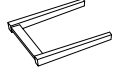


1. Don't attempt to repair or modify parts that are broken or defective. Please contact the store immediately.
2. This product is for home use only and not intended for commercial establishments.







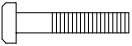

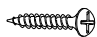
ASSEMBLY TIME

20 MINUTES

PARTS IDENTIFICATION

A	TABLE TOP		1PC
B	TABLE LEG		4PCS
C	BACK FRAME		4PCS
D	FRONT LEG FRAME		4PCS
E	SIDE RAIL		8PCS
F	WOOD SEAT		4PCS

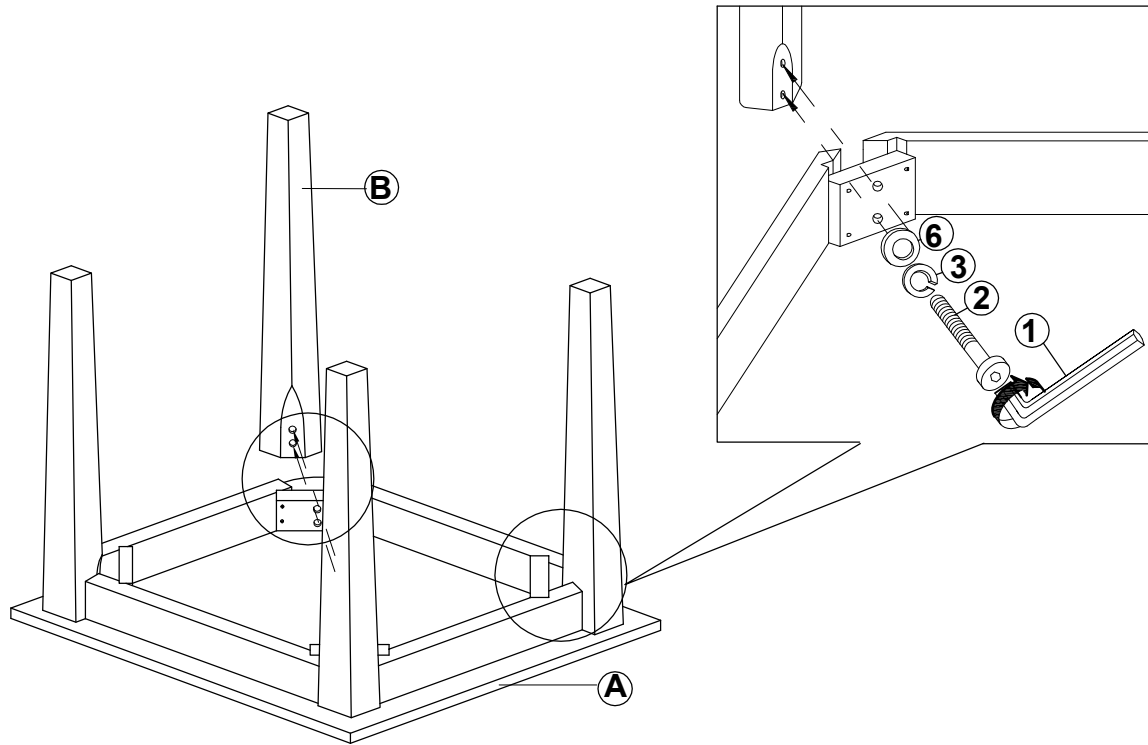
HARDWARE IDENTIFICATION

1	ALLEN WRENCH (M4 x 110MM - BLK)		1PC
2	LONG BOLT (M6 x 60MM - RBW)		8PCS
3	BIG LOCK WASHER (5/16" - RBW)		8PCS
4	SMALL LOCK WASHER (1/4" - BLK)		24PCS
5	SHORT BOLT (M6 x 50MM - RBW)		24PCS
6	FLAT WASHER (5/16" - RBW)		8PCS
7	PAN HEAD SCREW (#8 x 1 1/4" - BLK)		16PCS

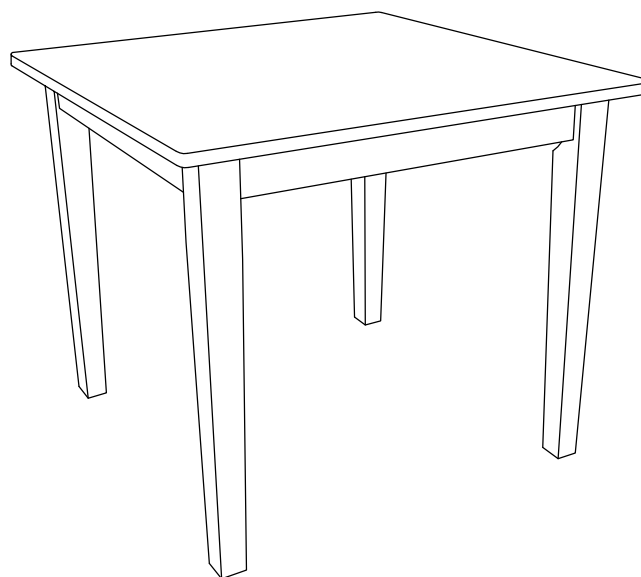
ITEM: **460235**
ASSEMBLY INSTRUCTIONS



TABLE
STEP 1



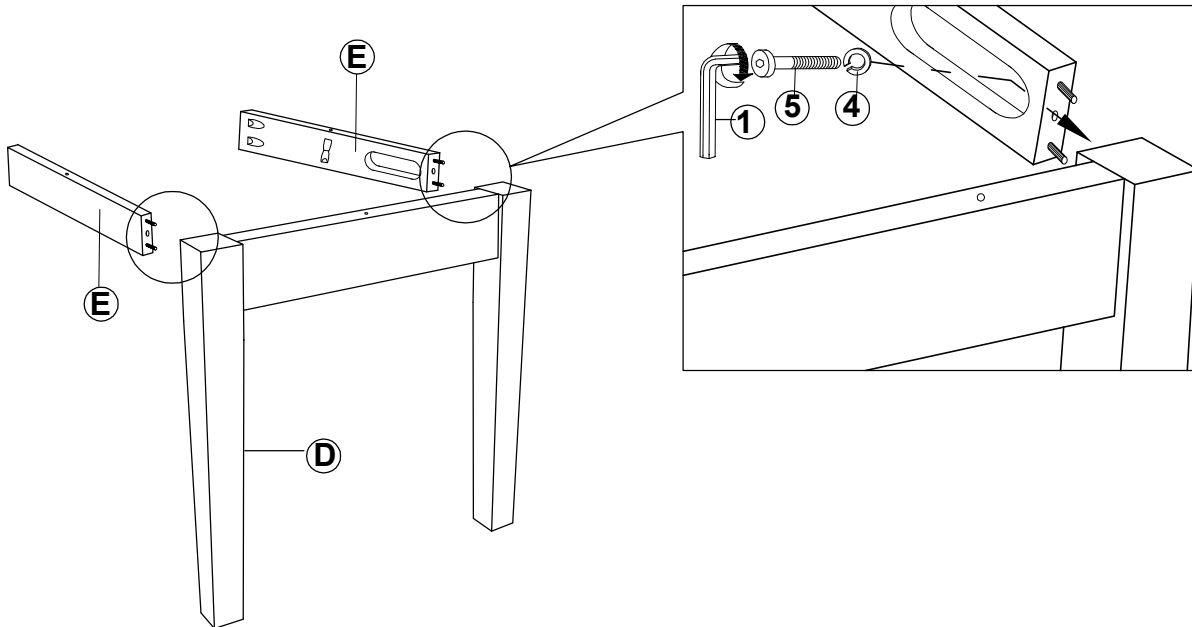
STEP 2
COMPLETE



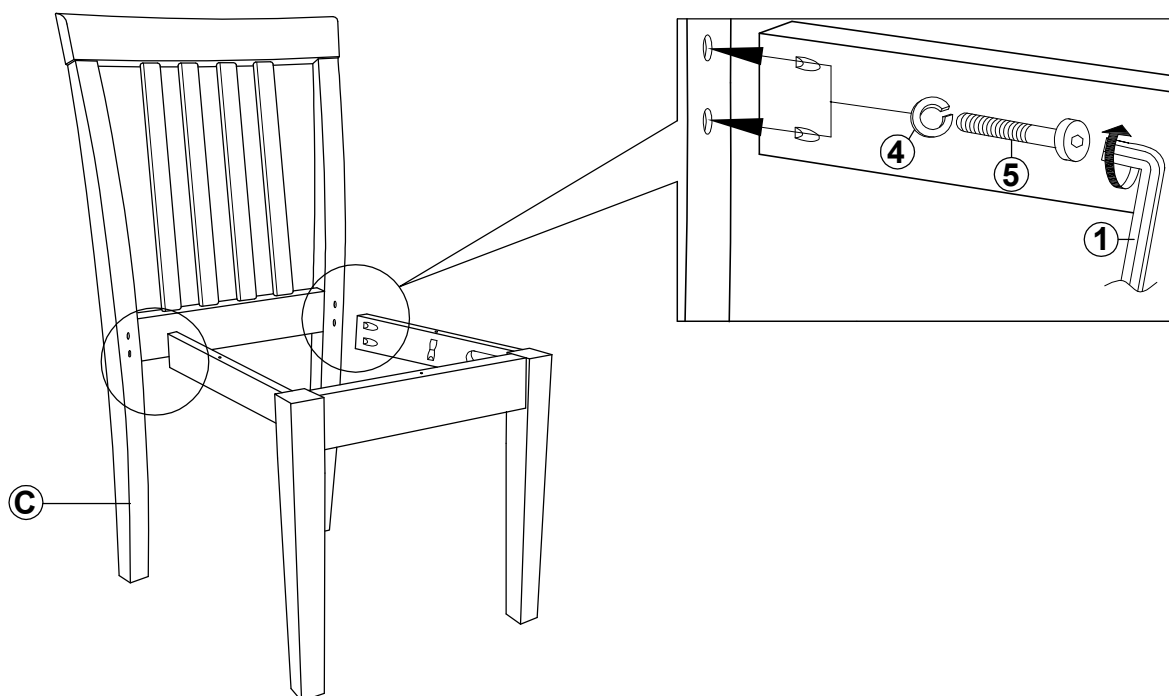
ITEM: **460235**
ASSEMBLY INSTRUCTIONS



CHAIR
STEP 3



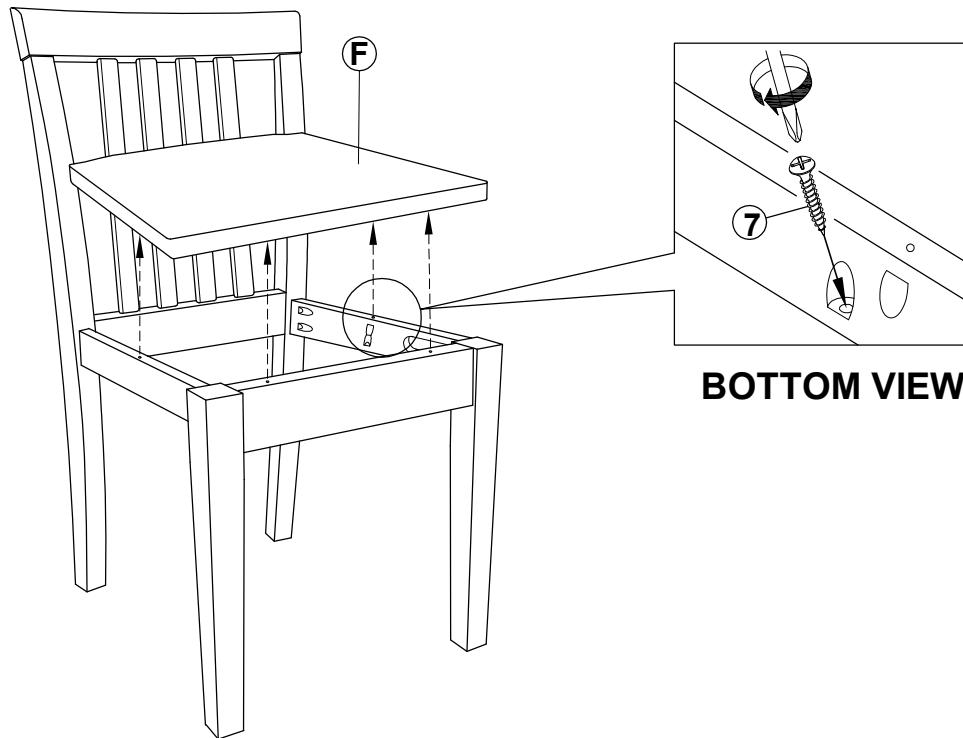
STEP 4



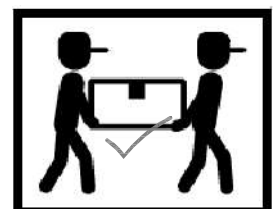
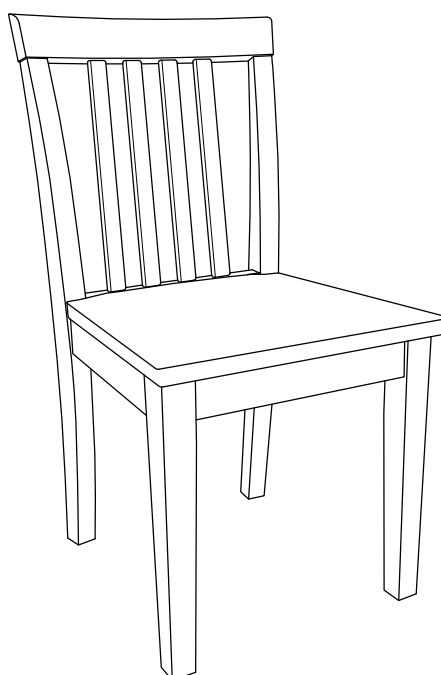
ITEM: **460235**
ASSEMBLY INSTRUCTIONS



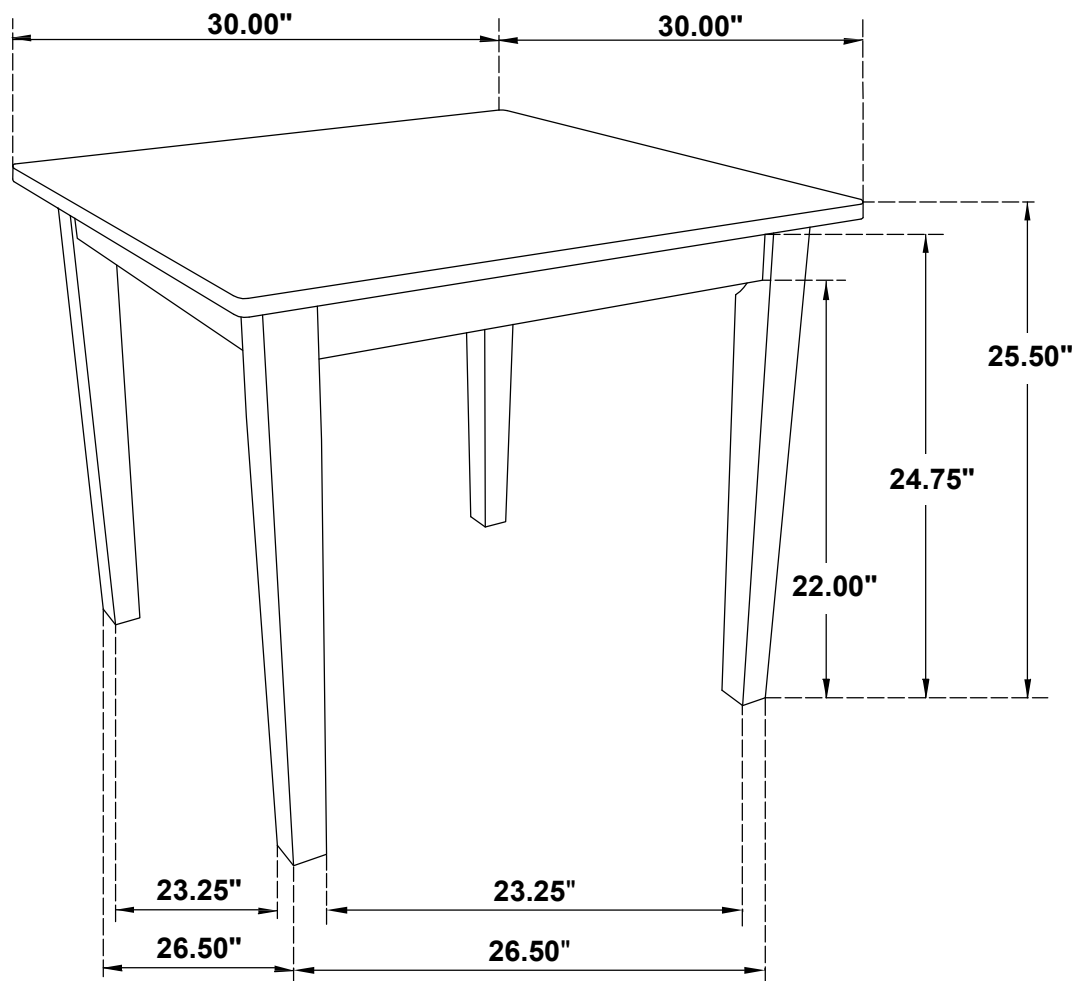
STEP 5



STEP 6
COMPLETE

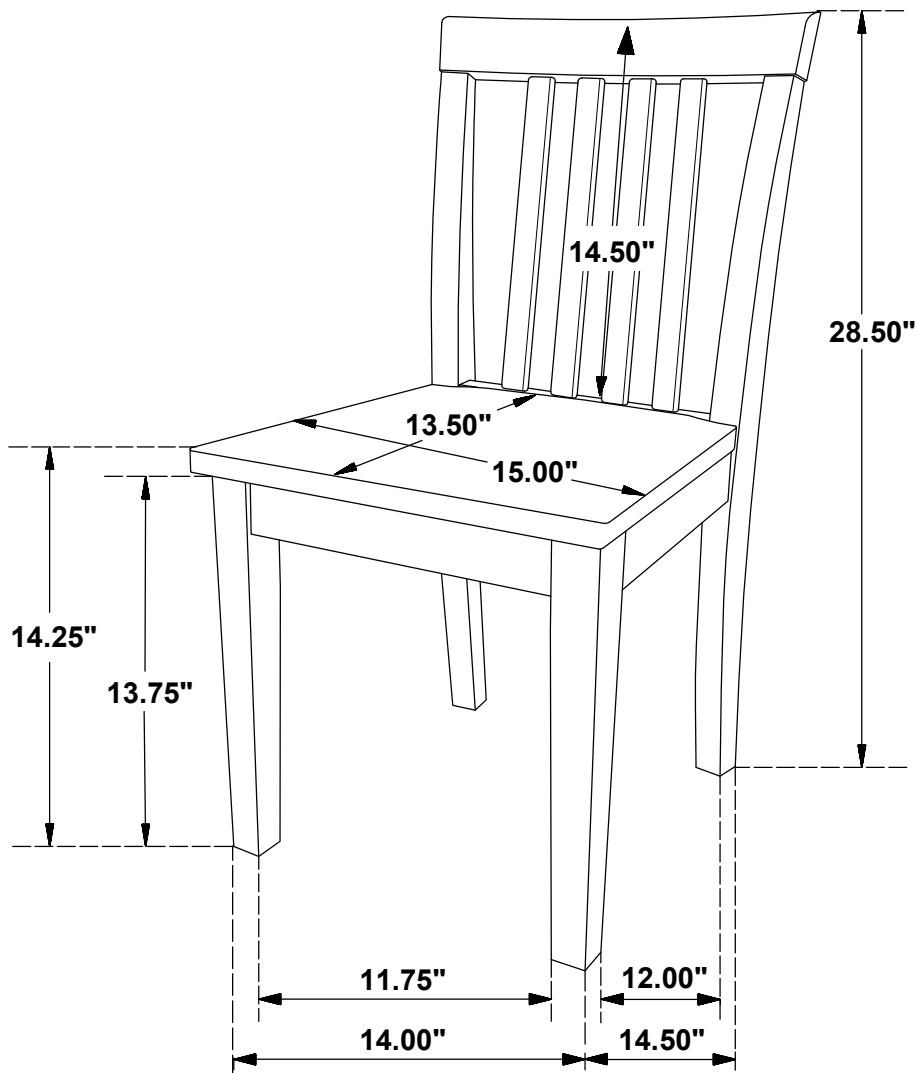


ITEM: **460235**



Note: Dimension tolerance $\pm 5\%$

ITEM: 460235



Note: Dimension tolerance $\pm 5\%$