



*ASSEMBLY INSTRUCTIONS
COASTER FINE FURNITURE*



Fine Furniture for every stage of life

500727(B1-B3)
Sectional

REVISION 0 : 12/30/2019
REVISION 1 : 05/22/2023

PAGE 1 OF 7

COASTERFURNITURE.COM

ITEM: 500727(B1-B3)



ASSEMBLY INSTRUCTION

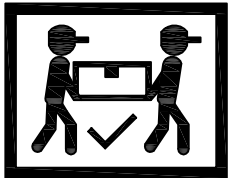
ASSEMBLY TIPS:

1. Remove hardware from box and sort by size.
2. Please check to see that all hardware and parts are present prior to start of assembly.
3. Please follow attached instruction in the same sequence as numbered to assure fast & easy assembly.



WARNING!

1. Don't attempt to repair or modify parts that are broken or defective. Please contact the store immediately.
2. This product is for home use only and not intended for commercial establishment.



ASSEMBLY TIME

30 MINUTES

PARTS IDENTIFICATION

B1 (BOX 1)

A SOFA BASE		1PC	F LEG		4PCS
B SOFA BACK		1PC	G AIR MATTRESS		1PC
C SOFA LEFT SEAT CUSHION		1PC	H PUMP		1PC
D SEAT CUSHION		2PCS	I FOAM TOPPER		1PC
E PILLOW		1PC			

B2 (BOX 2)

J CORNER BASE		1PC	E PILLOW		1PC
K CORNER SEAT CUSHION		1PC	F LEG		4PCS

B3 (BOX 3)

L LOVESEAT BASE		1PC	D SEAT CUSHION		1PC
M LOVESEAT BACK		1PC	E PILLOW		1PC
N LOVESEAT RIGHT SEAT CUSHION		1PC	F LEG		4PCS

ITEM: 500727(B1-B3)



ASSEMBLY INSTRUCTIONS

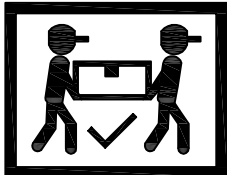
ASSEMBLY TIPS:

1. Remove hardware from box and sort by size.
2. Please check to see that all hardware and parts are present prior to start of assembly.
3. Please follow attached instruction in the same sequence as numbered to assure fast & easy assembly.



WARNING!

1. Don't attempt to repair or modify parts that are broken or defective. Please contact the store immediately.
2. This product is for home use only and not intended for commercial establishment.



ASSEMBLY TIME

30 MINUTES

HARDWARE IDENTIFICATION

Z-B1 (BOX 1) - HARDWARE PACK IS LOCATED IN 500727(B1)

1 PLASTIC WASHER
(50MM X 3MM - BLK)



4PCS

Z-B2 (BOX 2) - HARDWARE PACK IS LOCATED IN 500727(B2)

1 PLASTIC WASHER
(50MM X 3MM - BLK)



4PCS

Z-B3 (BOX 3) - HARDWARE PACK IS LOCATED IN 500727(B3)

1 PLASTIC WASHER
(50MM X 3MM - BLK)



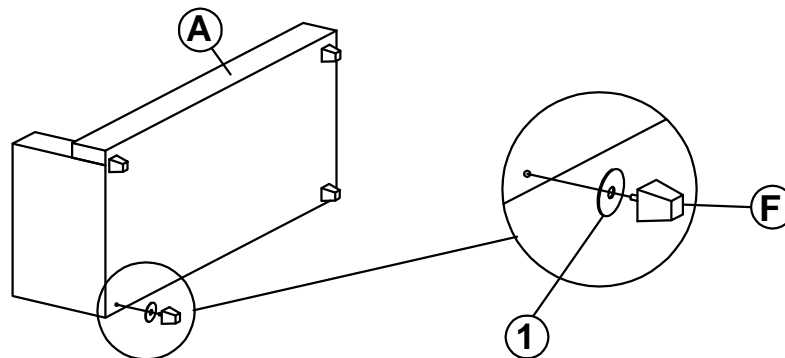
4PCS

ITEM: 500727(B1-B3)

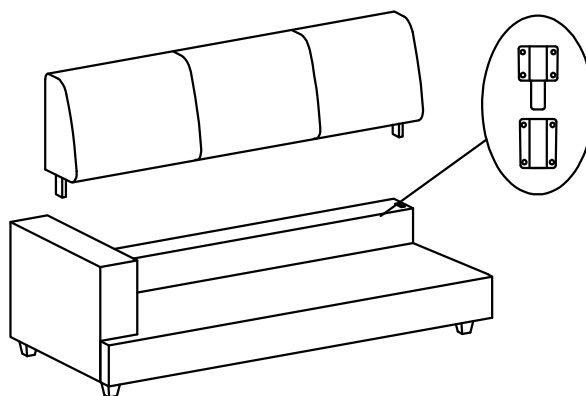


ASSEMBLY INSTRUCTIONS

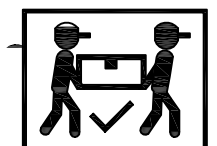
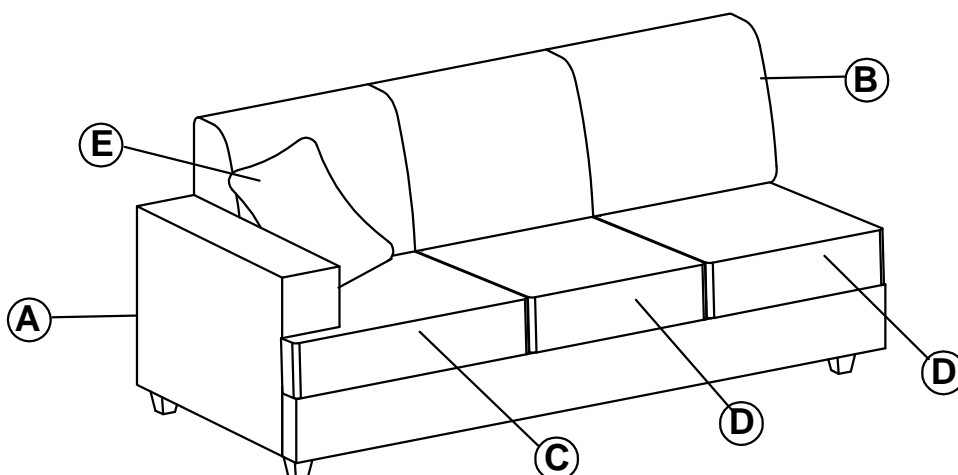
STEP 1



STEP 2



STEP 3

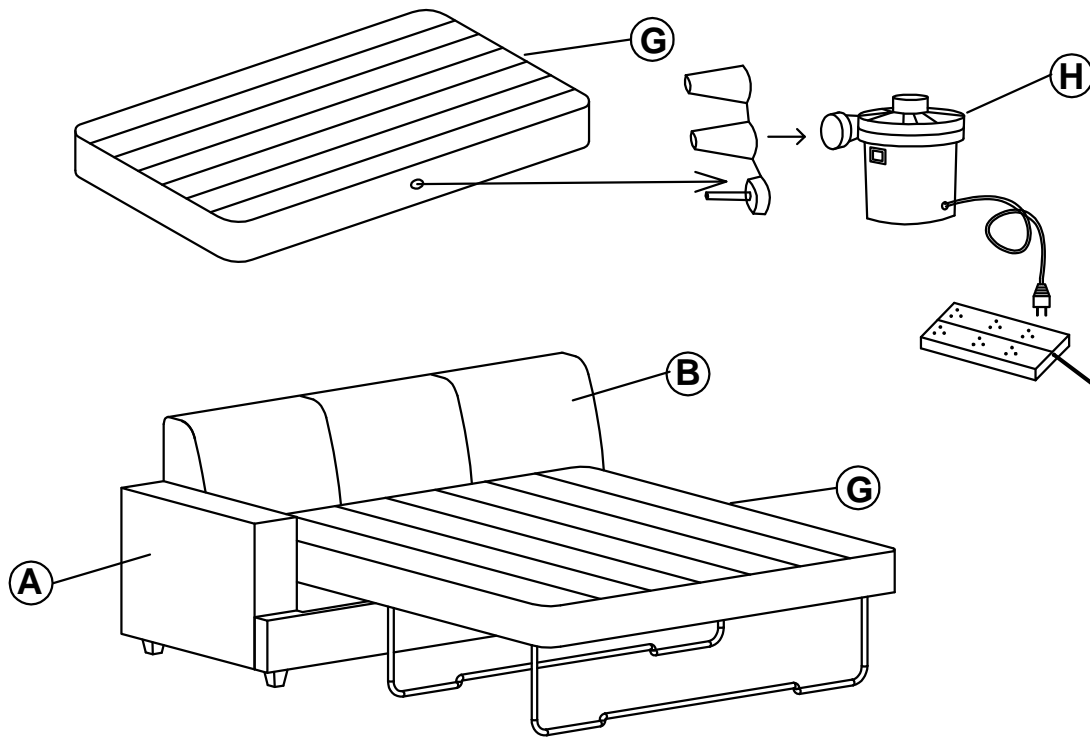


ITEM: 500727(B1-B3)

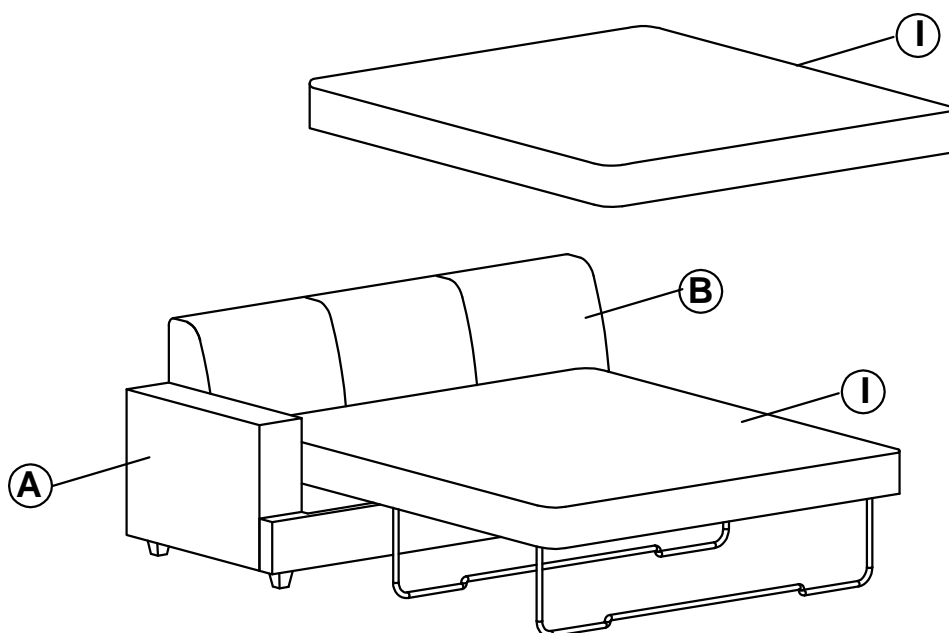
ASSEMBLY INSTRUCTIONS



OPTIONAL 1 (AIR MATTRESS)



OPTIONAL 2 (FOAM TOPPER)

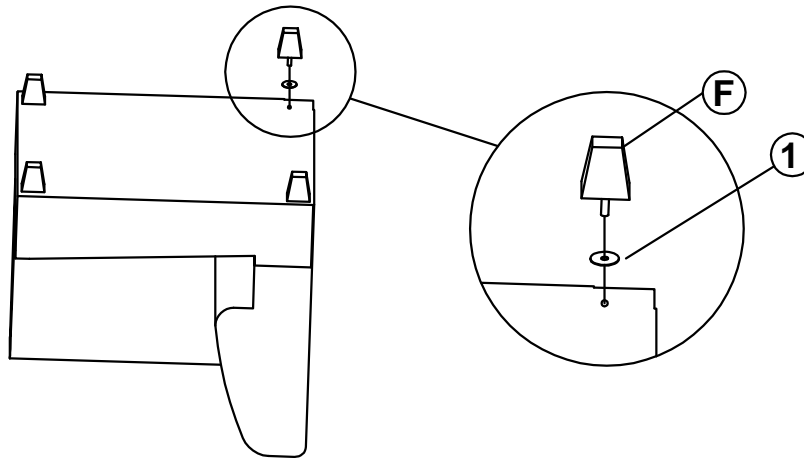


ITEM: 500727(B1-B3)

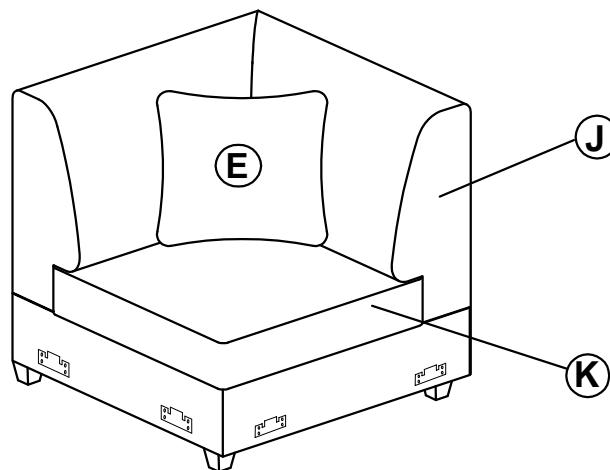
ASSEMBLY INSTRUCTIONS



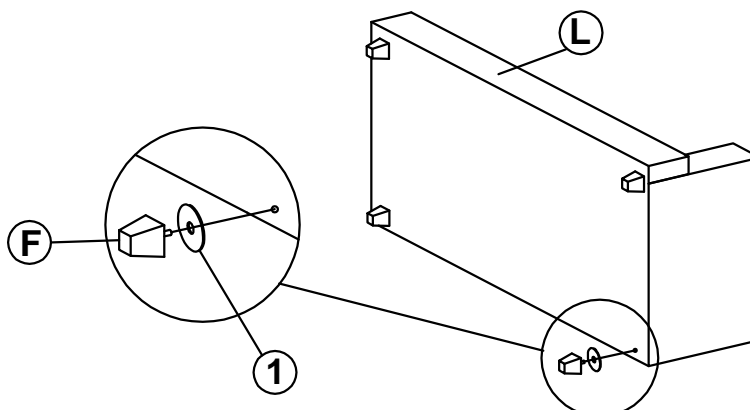
STEP 4



STEP 5



STEP 6

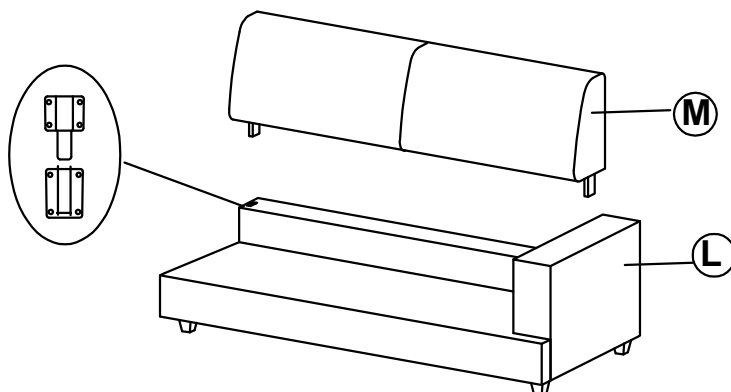


ITEM: **500727(B1-B3)**

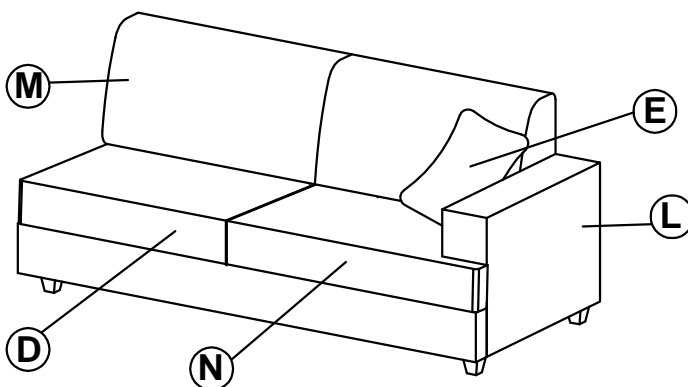
ASSEMBLY INSTRUCTIONS



STEP 7

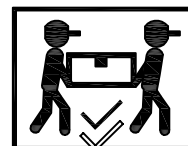
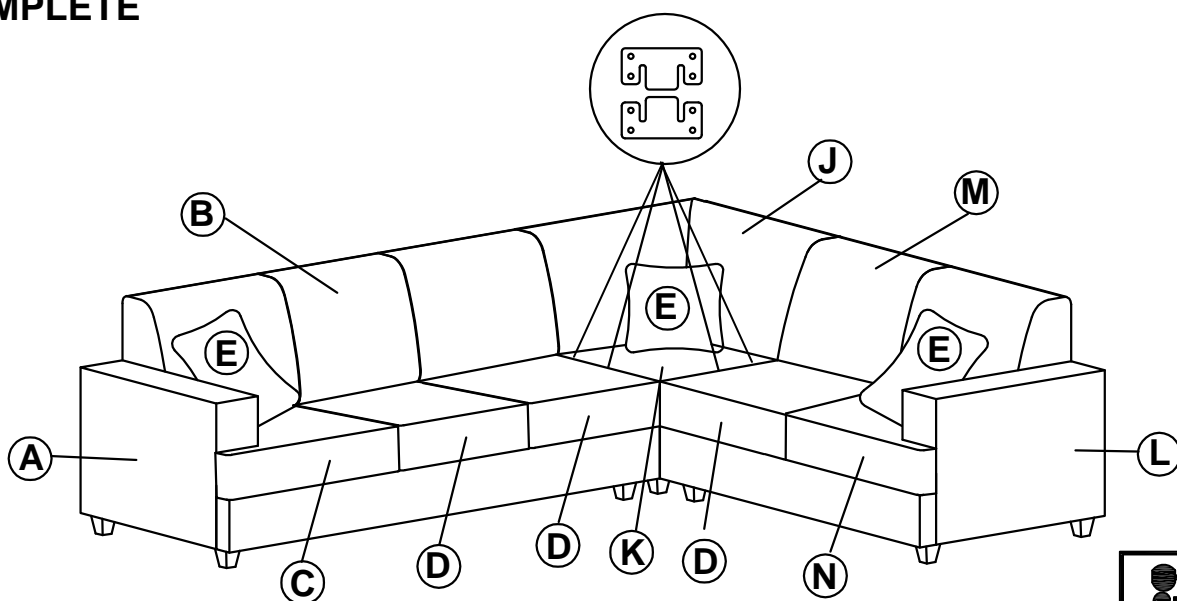


STEP 8

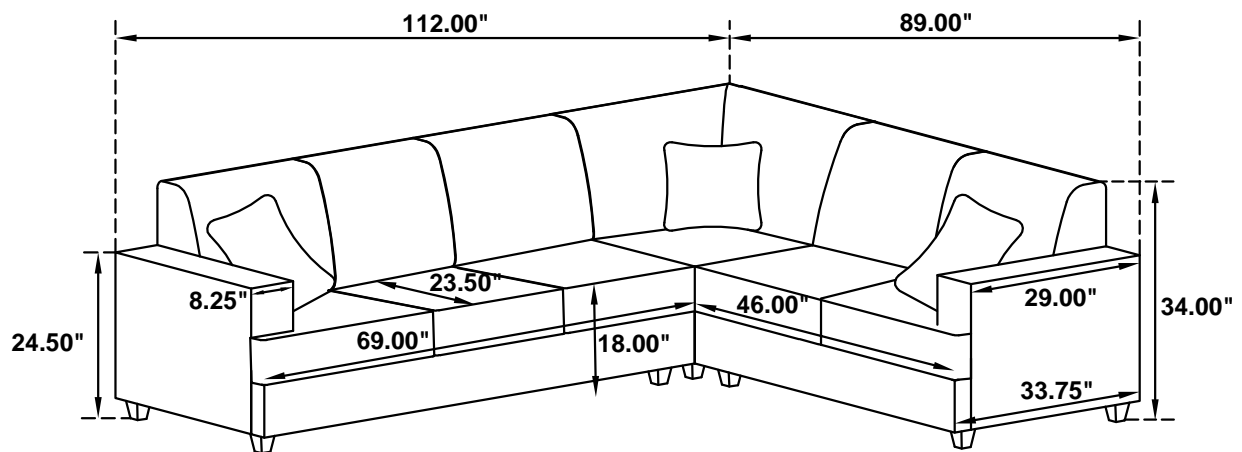


STEP 9

COMPLETE



ITEM: **500727(B1-B3)**



Note: Dimension tolerance $\pm 5\%$