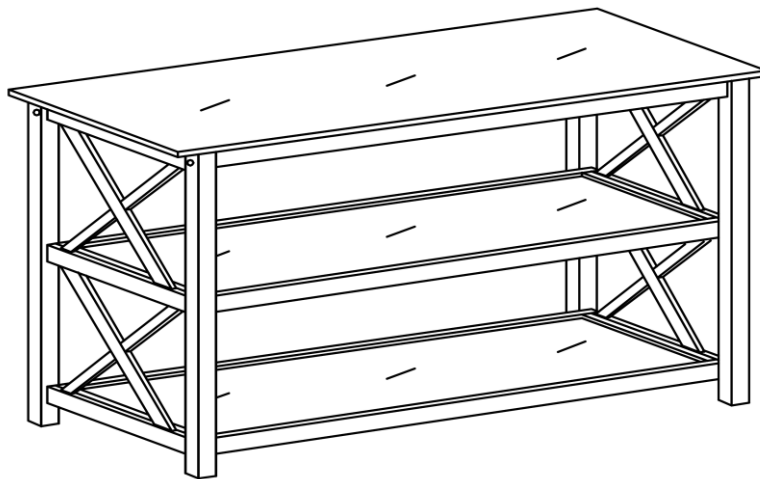


ASSEMBLY INSTRUCTIONS
COASTER FINE FURNITURE



Fine Furniture for every stage of life

5910
Sofa Table

REVISION 0 : 05/11/2004
REVISION 1 : 09/26/2011
REVISION 2 : 12/16/2011
REVISION 3 : 08/13/2018
REVISION 4 : 11/14/2019
REVISION 5 : 06/03/2022

ITEM: **5910**

ASSEMBLY INSTRUCTIONS

ASSEMBLY TIPS:

1. Remove hardware from box and sort by size.
2. Please check to see that all hardware and parts are present prior to start of assembly.
3. Please follow attached instructions in the same sequence as numbered to assure fast & easy assembly.



WARNING!





1. Don't attempt to repair or modify parts that are broken or defective. Please contact the store immediately.
2. This product is for home use only and not intended for commercial establishments.











ASSEMBLY TIME

20 MINUTES

PARTS IDENTIFICATION

A	LEG FRAME		2PCS
B	SHELF		2SETS
C	APRON		2PCS
D	TOP PANEL		1PC

HARDWARE IDENTIFICATION

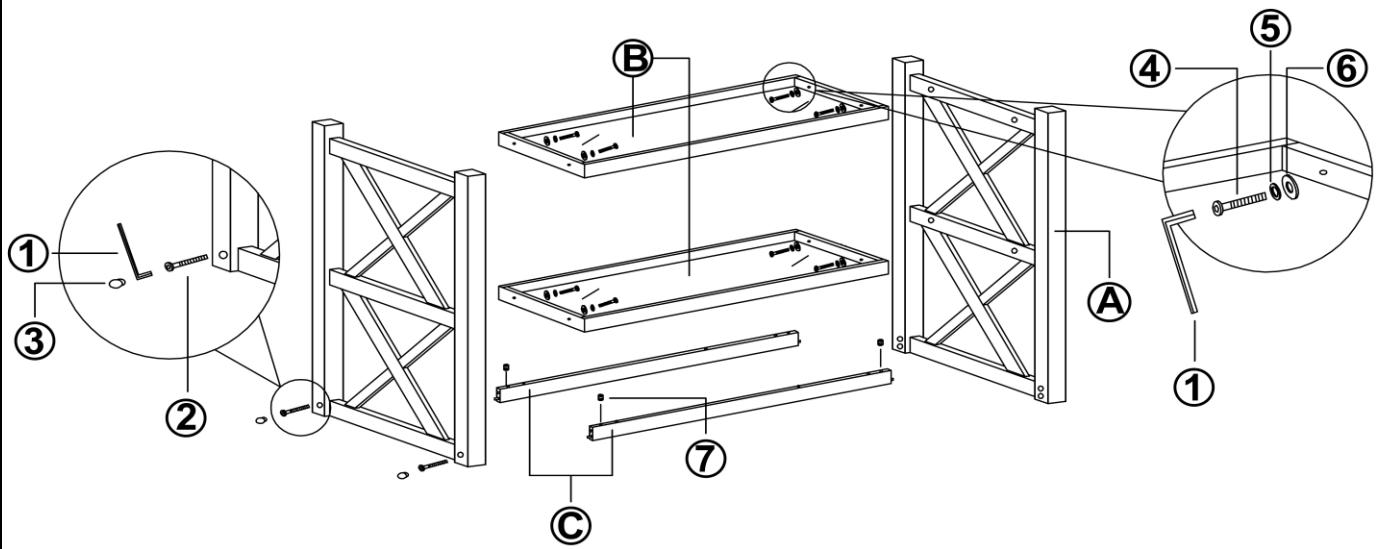
1	ALLEN WRENCH (M4 - BLK)		1PC
2	LONG BOLT (M6 x 60mm - RBW)		4PCS
3	WOOD PLUG (13MM)		4PCS
4	SHORT BOLT (M6 x 35mm - RBW)		8PCS
5	LOCK WASHER (M6 - RBW)		8PCS
6	FLAT WASHER (M6 - RBW)		8PCS
7	BARREL NUT (M6 - SR)		4PCS
8	FLAT HEAD SCREW (M4 x 25mm - RBW)		6PCS

ITEM: **5910**

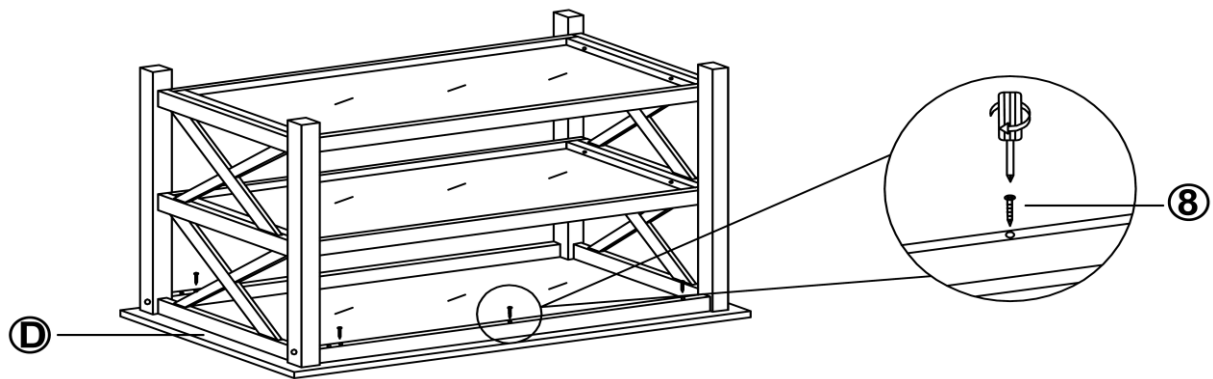


ASSEMBLY INSTRUCTIONS

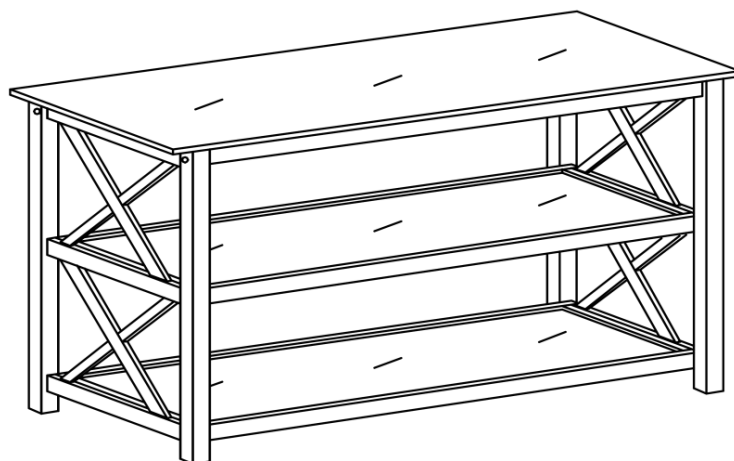
STEP 1



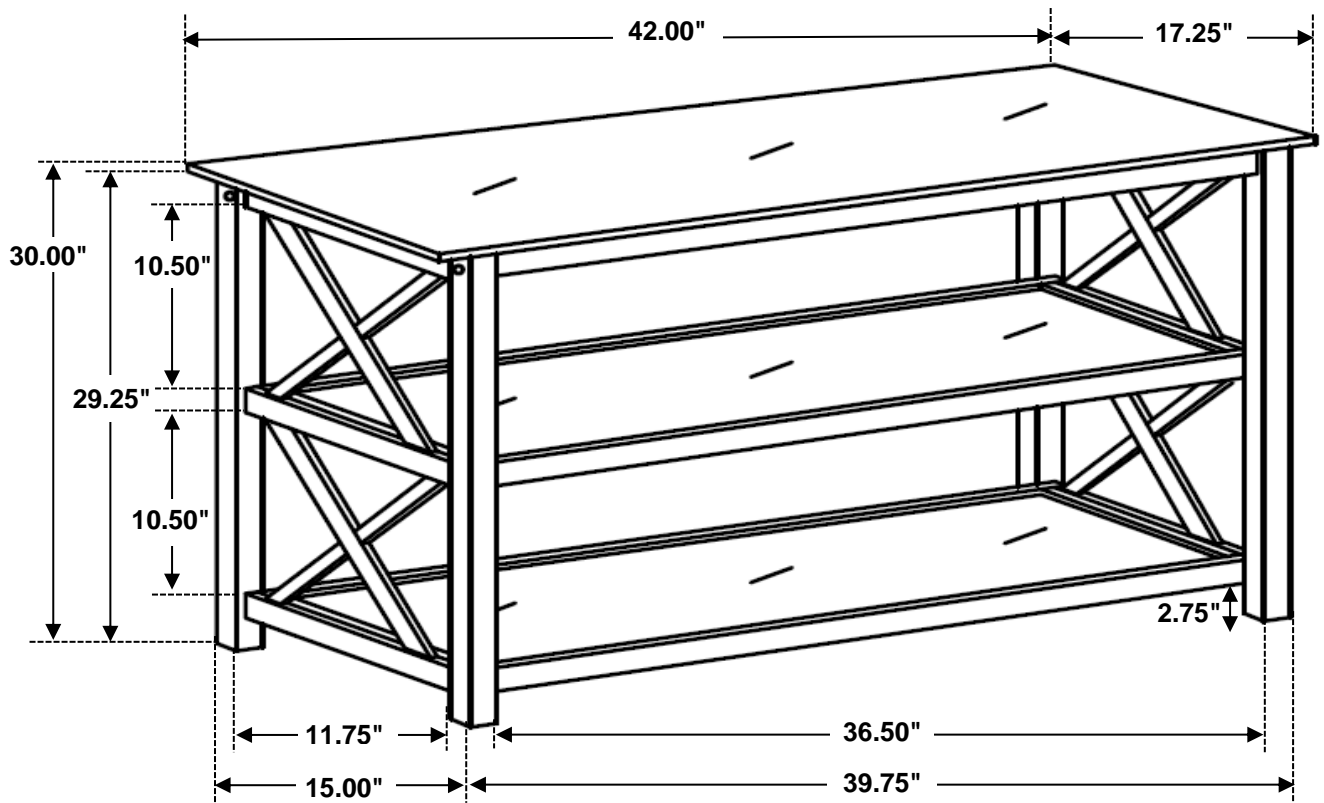
STEP 2



STEP 3
COMPLETE



ITEM:5910



Note: Dimension tolerance $\pm 5\%$