

ASSEMBLY INSTRUCTIONS
COASTER FINE FURNITURE



Fine Furniture for every stage of life

736184
3Pc Occasional Set

ITEM: 736184



ASSEMBLY INSTRUCTIONS

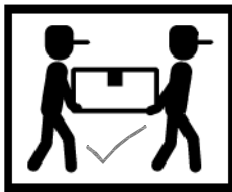
ASSEMBLY TIPS :

1. Remove hardware from box and sort by size.
2. Please check to see that all hardware and parts are present prior to start of assembly.
3. Please follow attached instructions in the same sequence as numbered to assure fast & easy assembly.



WARNING !

1. Don't attempt to repair or modify parts that are broken or defective. Please contact the store immediately.
2. This product is for home use only and not intended for commercial establishments.



ASSEMBLY TIME

30 MINUTES

PARTS IDENTIFICATION

A	COFFEE TABLE TOP		1PC
B	COFFEE TABLE LONG APRON		2PCS
C	COFFEE TABLE LEG		4PCS
D	END TABLE TOP		2PCS
E	END TABLE LEG		8PCS
F	END/COFFEE TABLE SHORT APRON		10PCS
G	CORNER BLOCK		12PCS

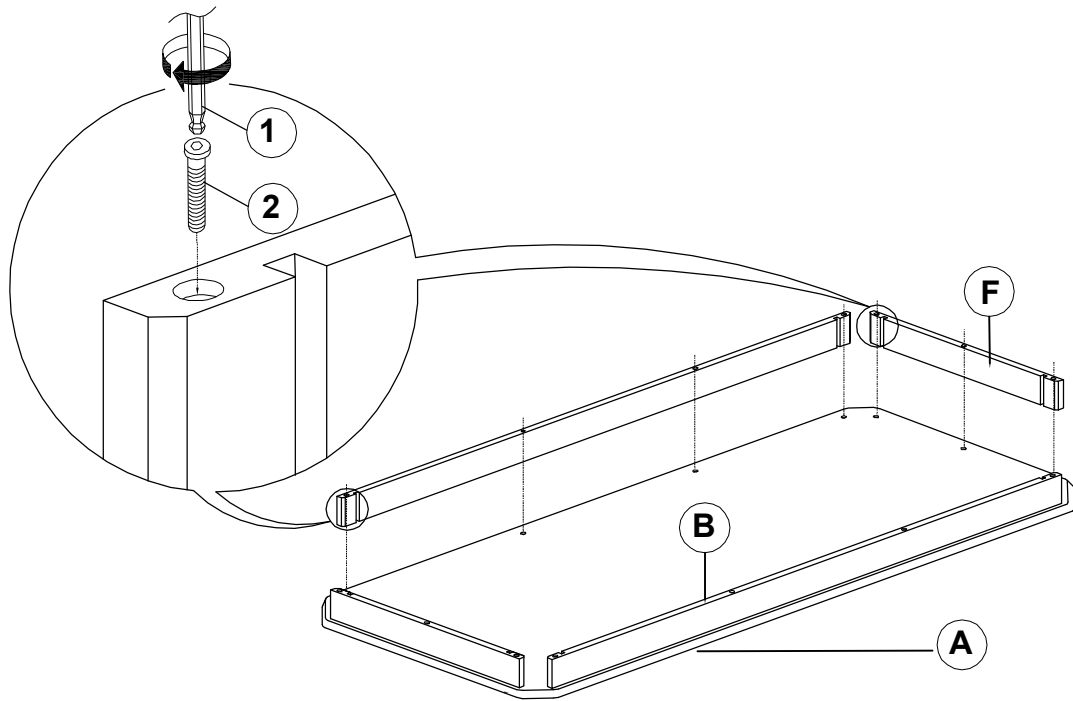
HARDWARE IDENTIFICATION

1	ALLEN WRENCH (M4 x 110mm - BLK)		1PC
2	BOLT (M6 x 70mm - RBW)		62PCS
3	LOCK WASHER (5/16" - RBW)		24PCS
4	FLAT WASHER (5/16" - RBW)		24PCS

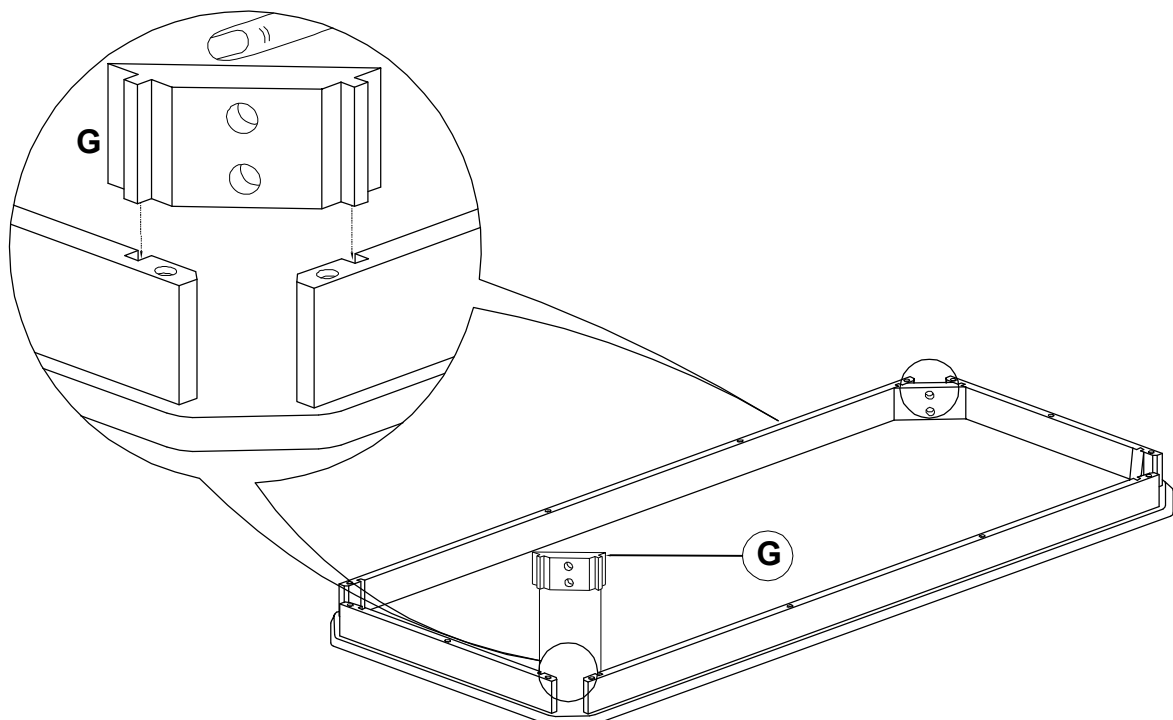
ITEM: **736184**
ASSEMBLY INSTRUCTIONS



COFFEE TABLE
STEP 1



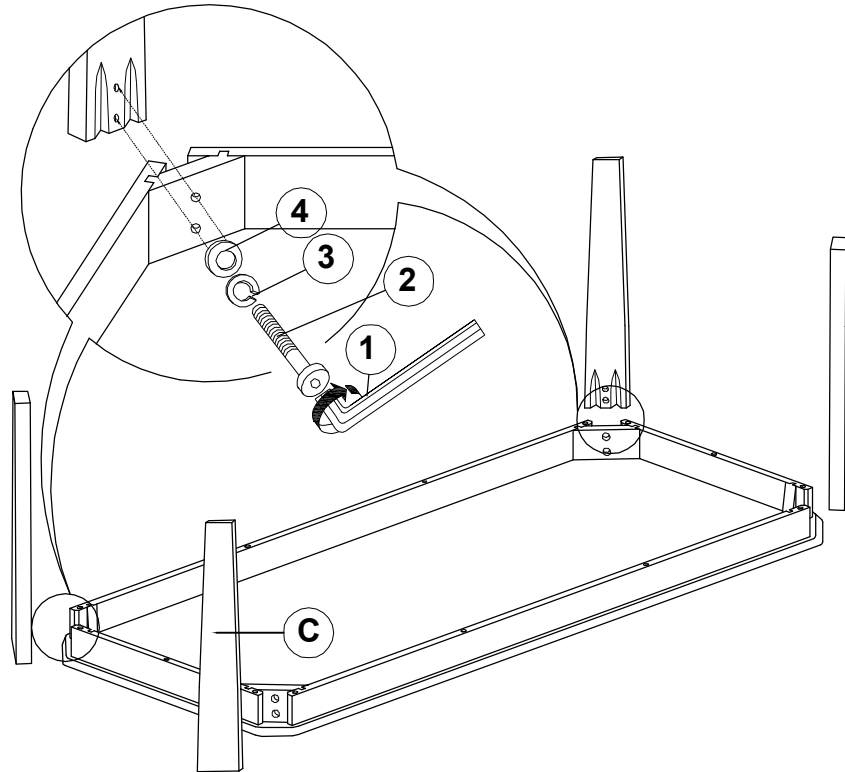
STEP 2



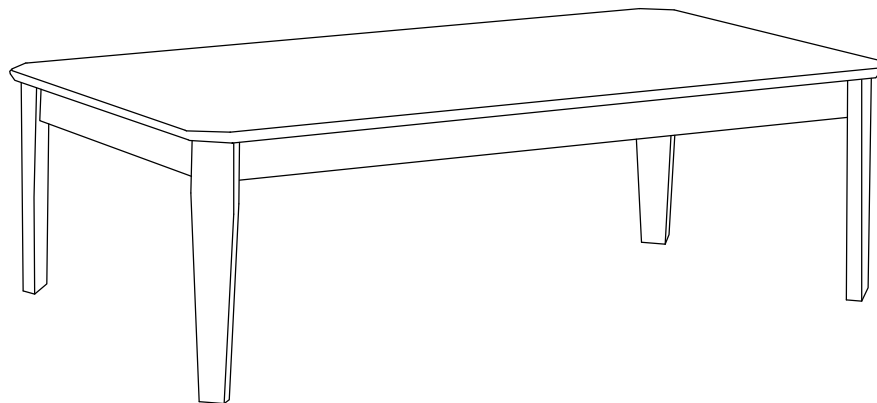
ITEM: **736184**
ASSEMBLY INSTRUCTIONS



STEP 3



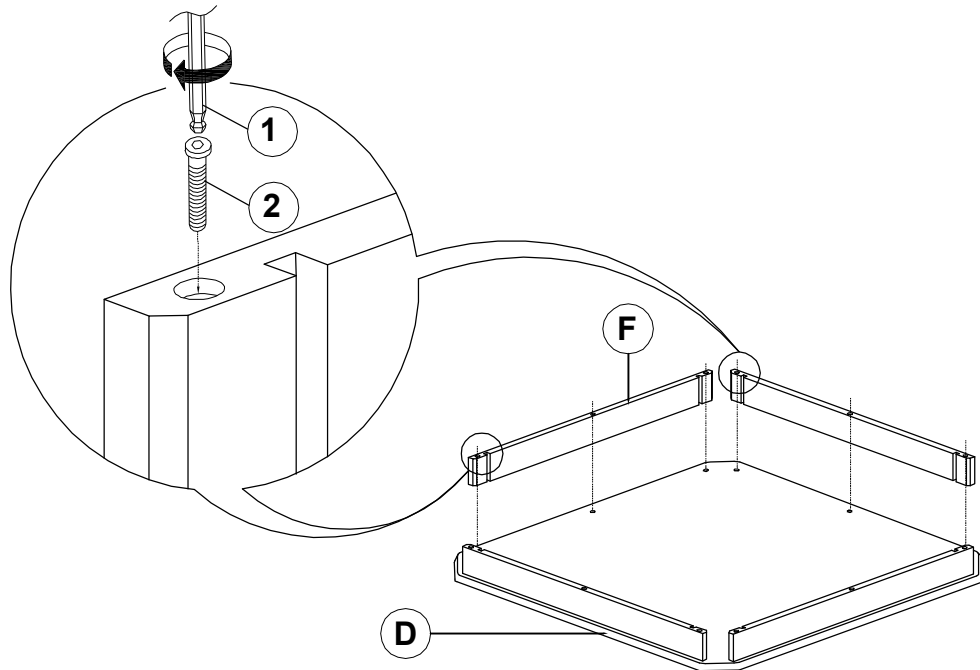
STEP 4
COMPLETE



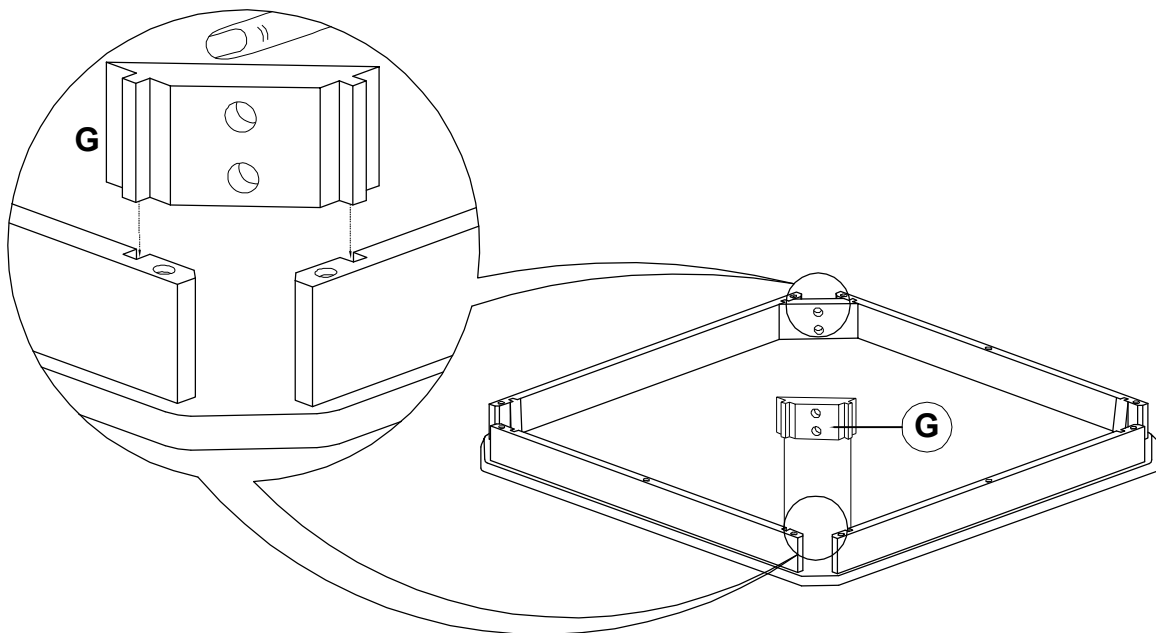
ITEM: **736184**
ASSEMBLY INSTRUCTIONS



END TABLE
STEP 5



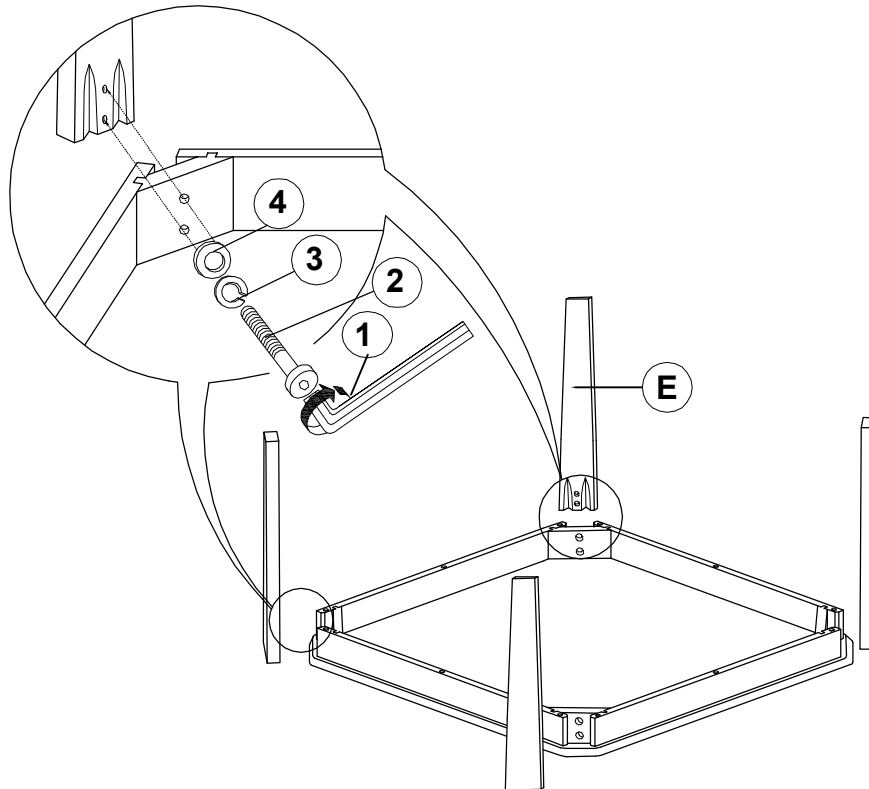
STEP 6



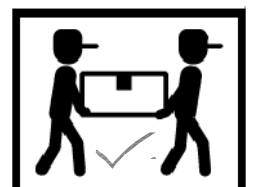
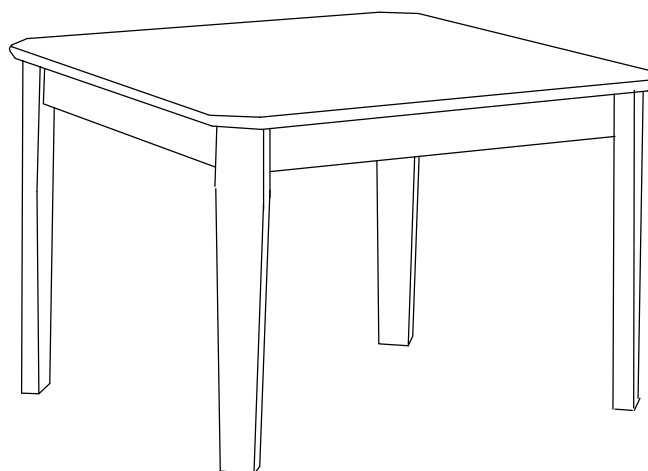
ITEM: **736184**
ASSEMBLY INSTRUCTIONS



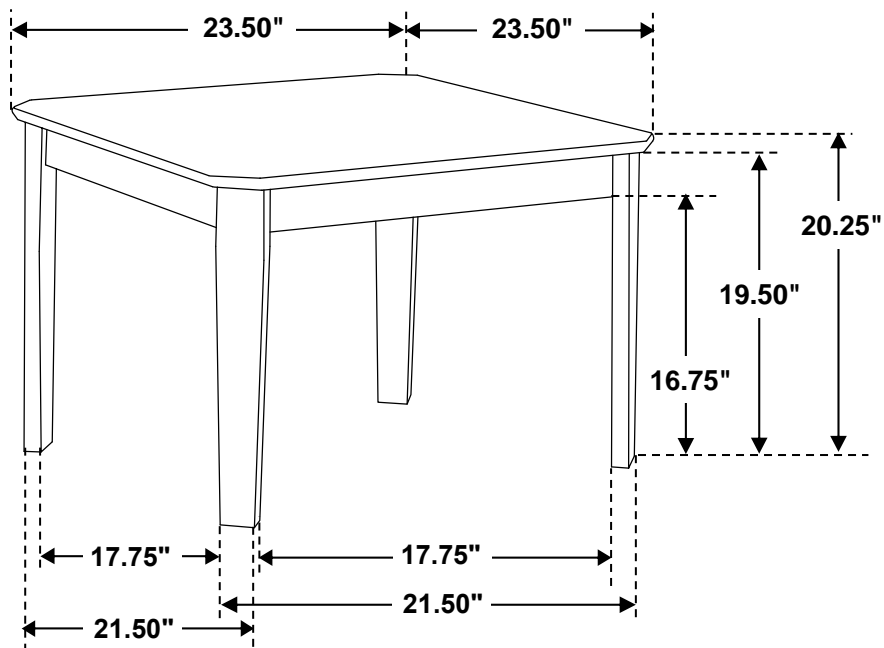
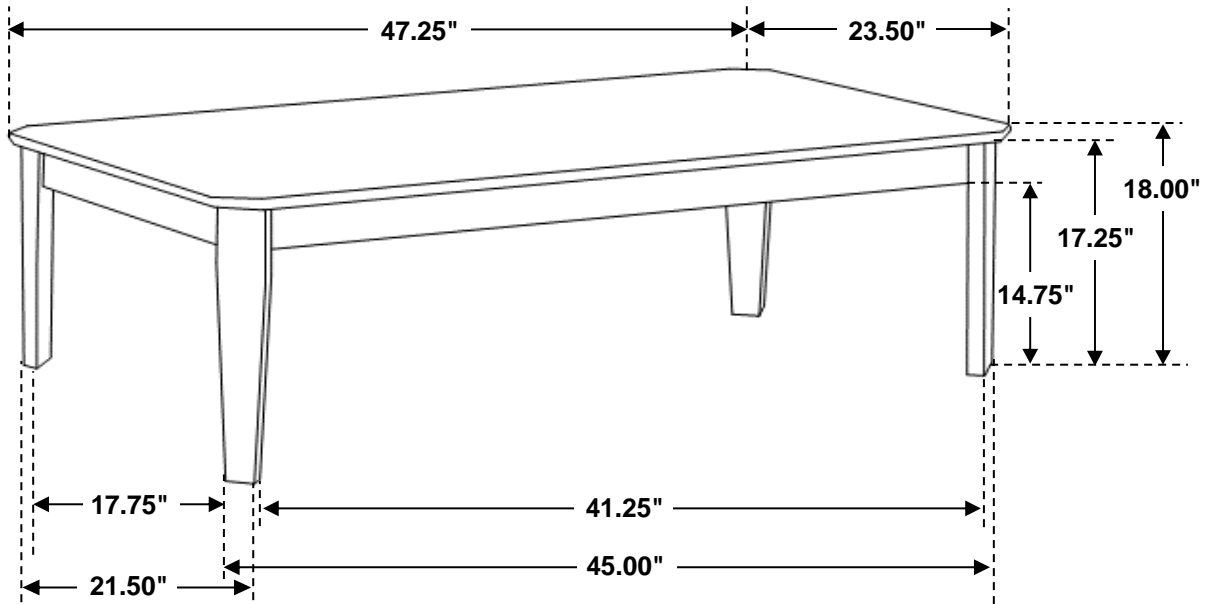
STEP 7



STEP 8
COMPLETE



ITEM: **736184**



Note : Dimension tolerance $\pm 5\%$