

ASSEMBLY INSTRUCTIONS
COASTER FINE FURNITURE



Fine Furniture for every stage of life

181025
SERVING CART

ITEM:181025



ASSEMBLY INSTRUCTIONS

ASSEMBLY TIPS:

1. Remove hardware from box and sort by size.
2. Please check to see that all hardware and parts are present prior to start of assembly.
3. Please follow attached instructions in the same sequence as numbered to assure fast & easy assembly.



WARNING!

1. Don't attempt to repair or modify parts that are broken or defective. Please contact the store immediately.
2. This product is for home use only and not intended for commercial establishments.

ASSEMBLY TIME 65 MINUTES

PARTS IDENTIFICATION

A	TOP TRAY		1PC
B	BOTTOM TRAY		1PC
C	LEFT PANEL		1PC
D	RIGHT PANEL		1PC
E	BACK PANEL		1PC

ITEM:181025

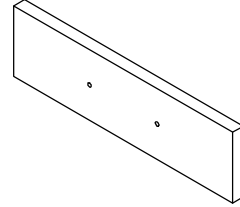
ASSEMBLY INSTRUCTIONS

PARTS IDENTIFICATION



F

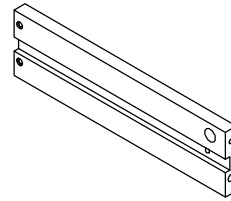
DRAWER FRONT PANEL



1PC

G

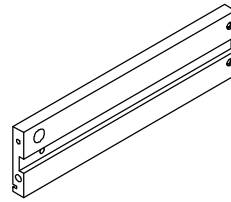
DRAWER LEFT PANEL



1PC

H

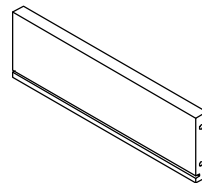
DRAWER RIGHT PANEL



1PC

I

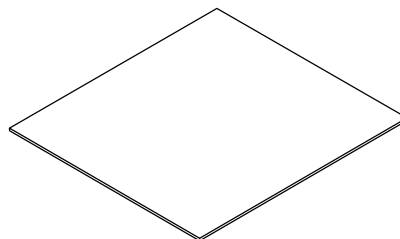
DRAWER BACK PANEL



1PC

J

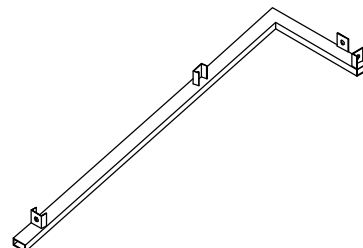
DRAWER BOTTOM PANEL



1PC

K

LEG 1



2PCS

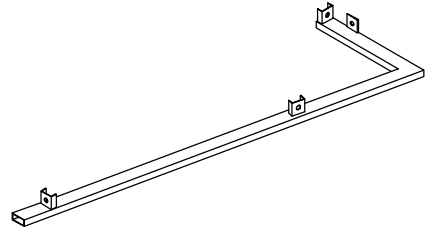
ITEM:181025

ASSEMBLY INSTRUCTIONS

PARTS IDENTIFICATION

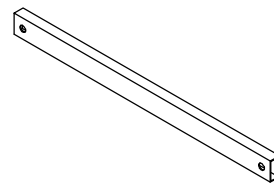


L LEG 2



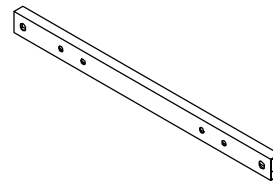
2PCS

M TOP CROSSBAR



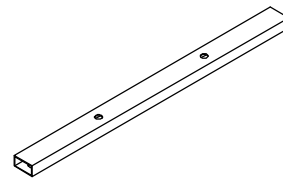
1PC

N MIDDLE CROSSBAR



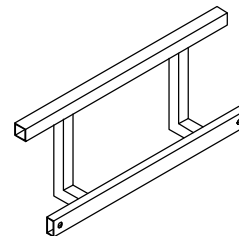
2PCS

O BOTTOM CROSSBAR



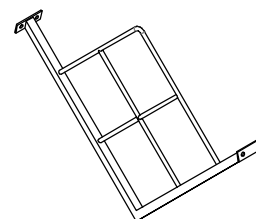
2PCS

P HANDLE



1PC

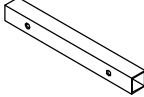
Q HOLDER



2PCS

ITEM:181025 ASSEMBLY INSTRUCTIONS






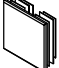
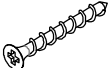











R DRAWER HANDLE  1PC

S SLIDE RAIL  2PCS

T WHEEL  4PCS

Z HARDWARE IDENTIFICATION

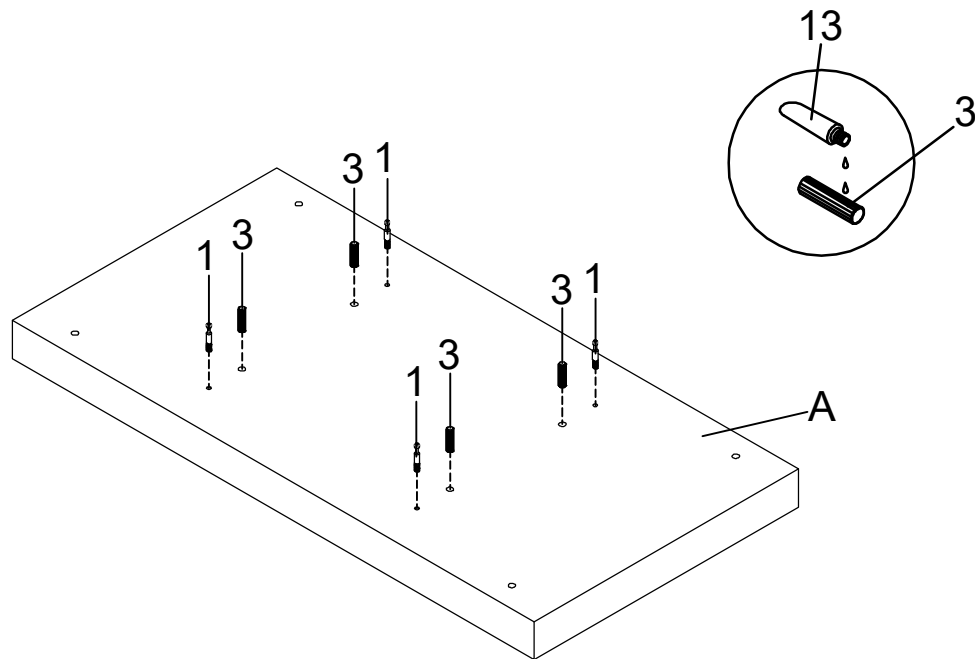
1	CAM BOLT (38mm)		6PCS	9	LONG BOLT (1/4" x 21mm SR)		4PCS
2	CAM LOCK (ϕ 15mm)		6PCS	10	CAP (13 x 26mm SR)		8PCS
3	WOOD DOWEL (8 x 30mm)		10PCS	11	DRAWER HANDLE CAP (16 x 16mm SR)		2PCS
4	WOOD SCREW (8 x 38mm)		4PCS	12	HANDLE CAP (20 x 20mm SR)		2PCS
5	HANDLE BOLT (5/32" x 22mm)		2PCS	13	GLUE		1PC
6	SMALL BOLT (5/32" x 12mm)		2PCS	14	HOLDER BOLT (3/16" x 12mm SR)		8PCS
7	SCREW (3 x 8mm)		6PCS	15	ALLEN WRENCH (4mm)		1PC
8	SHORT BOLT (1/4" x 12mm SR)		16PCS	16	HEXAGONAL KEY (8mm)		1PC

ITEM:181025

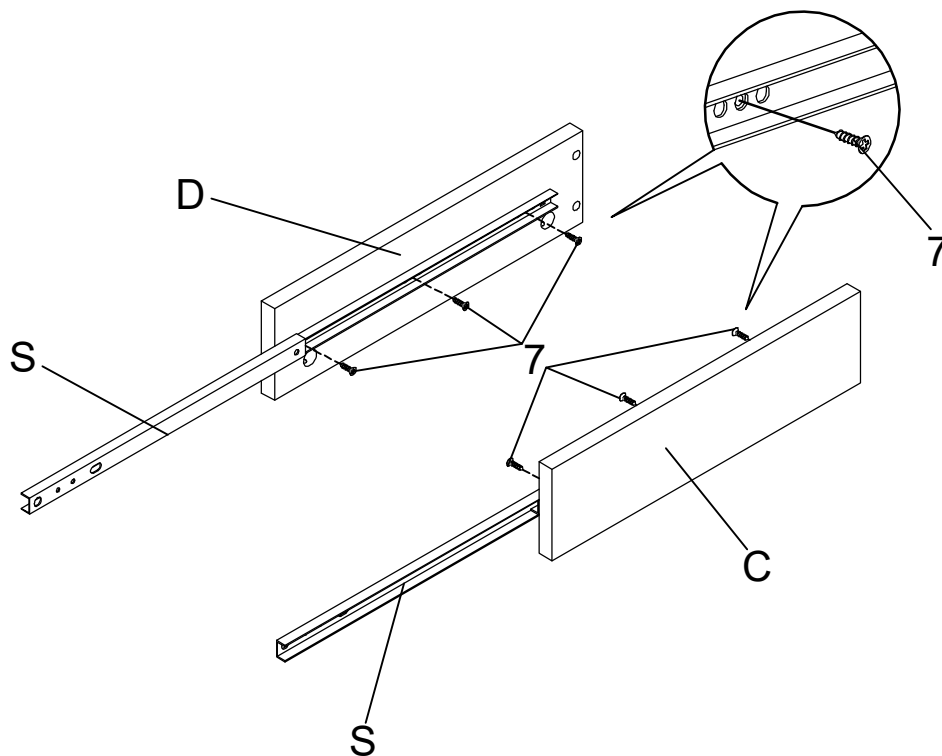


ASSEMBLY INSTRUCTIONS

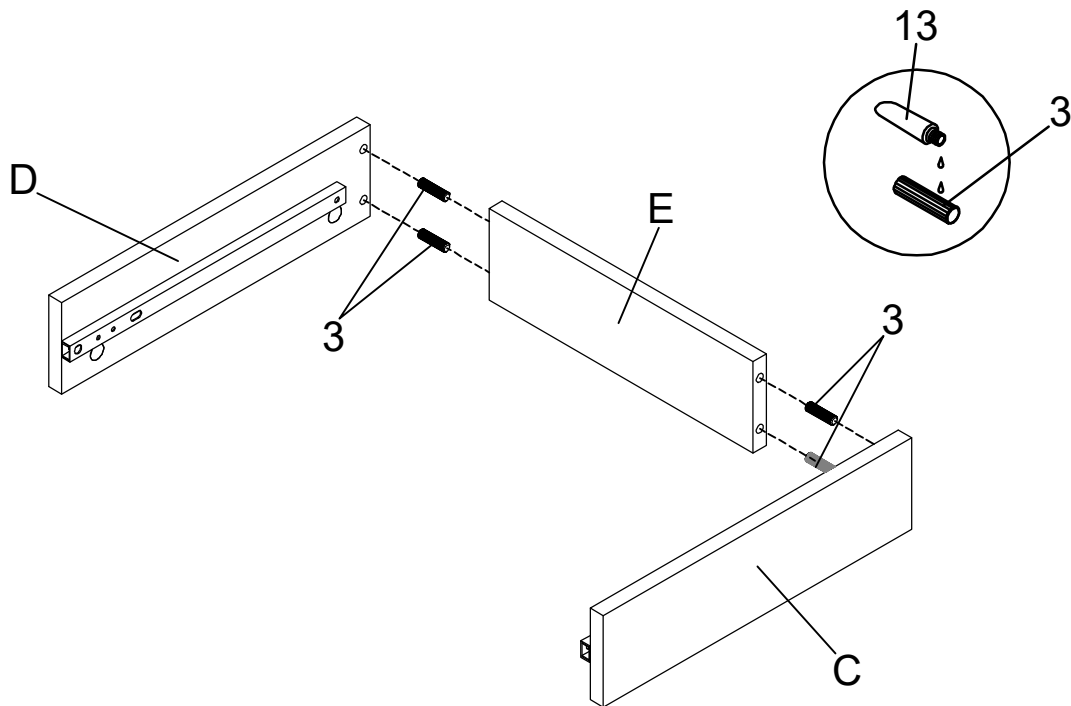
STEP 1 Do not tighten until each step is completed or instructed.



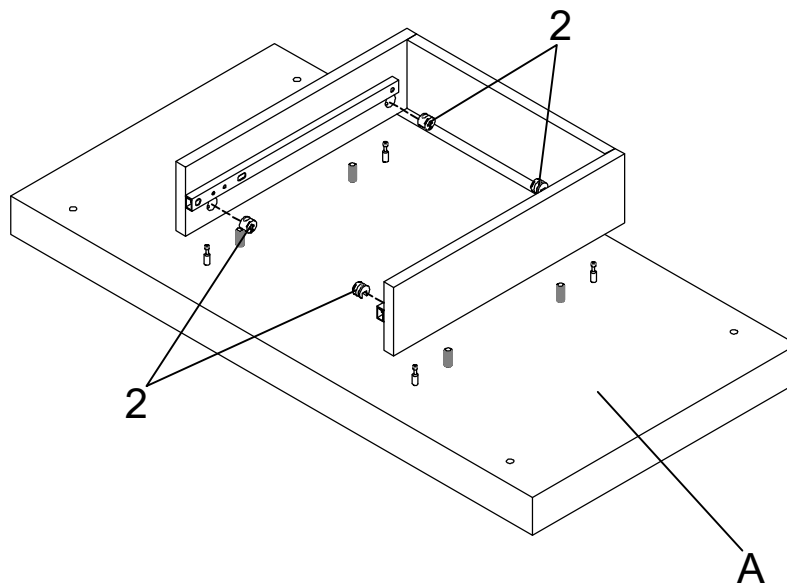
STEP 2



ITEM:181025
ASSEMBLY INSTRUCTIONS
STEP 3



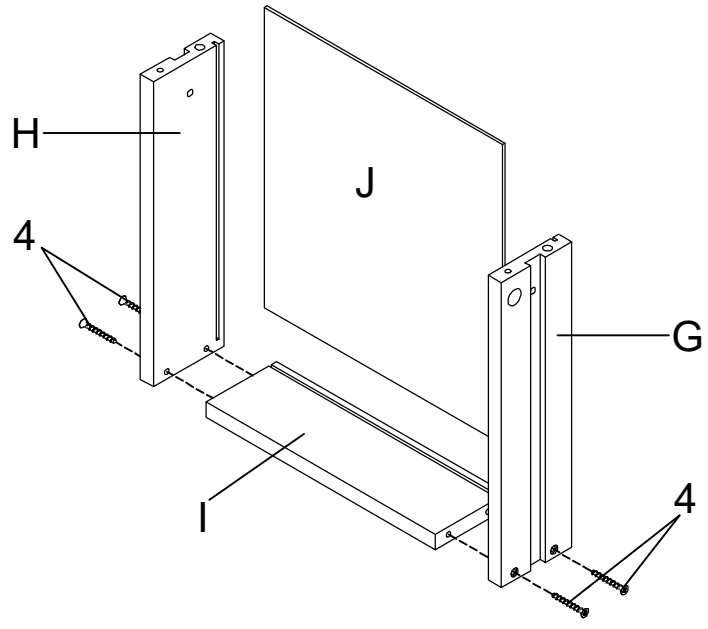
STEP 4



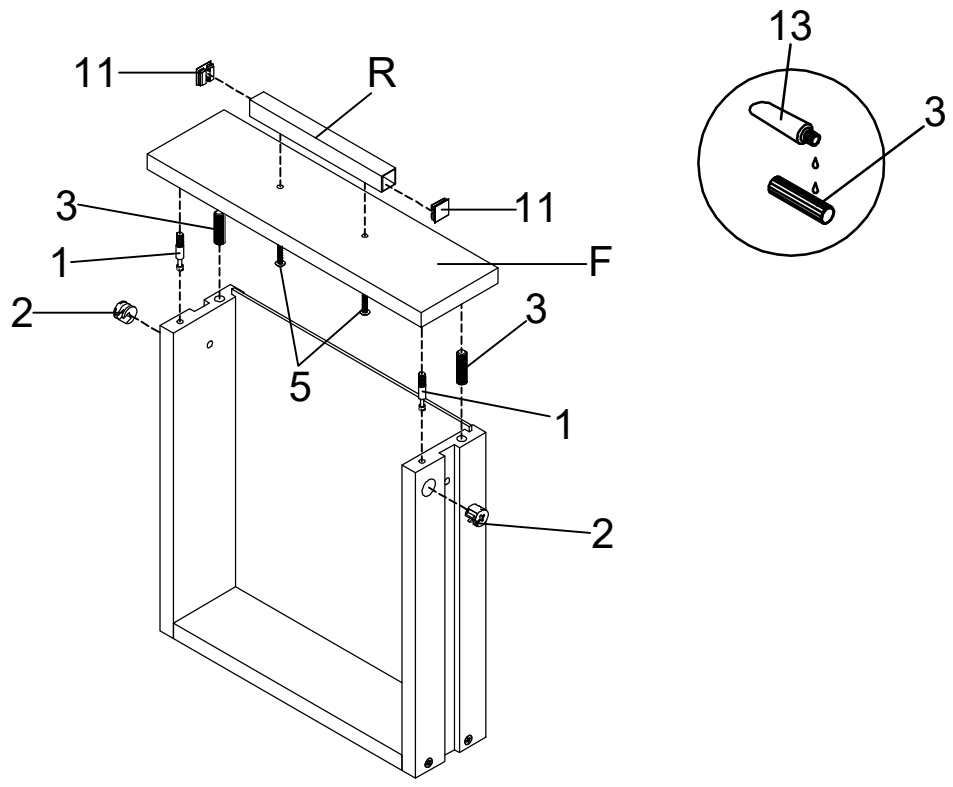
ITEM:181025

ASSEMBLY INSTRUCTIONS

STEP 5



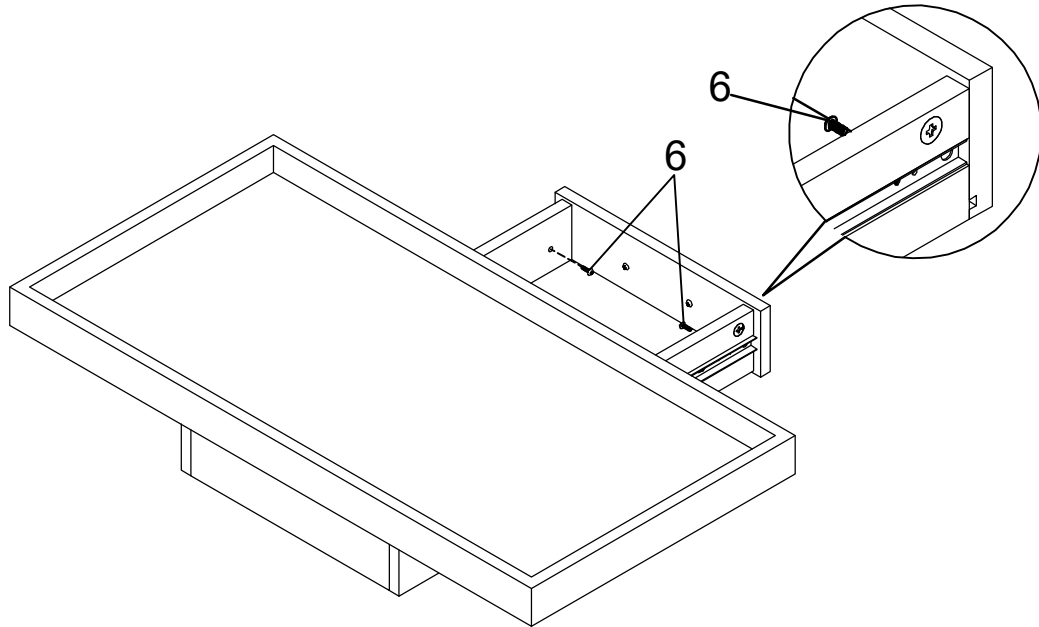
STEP 6



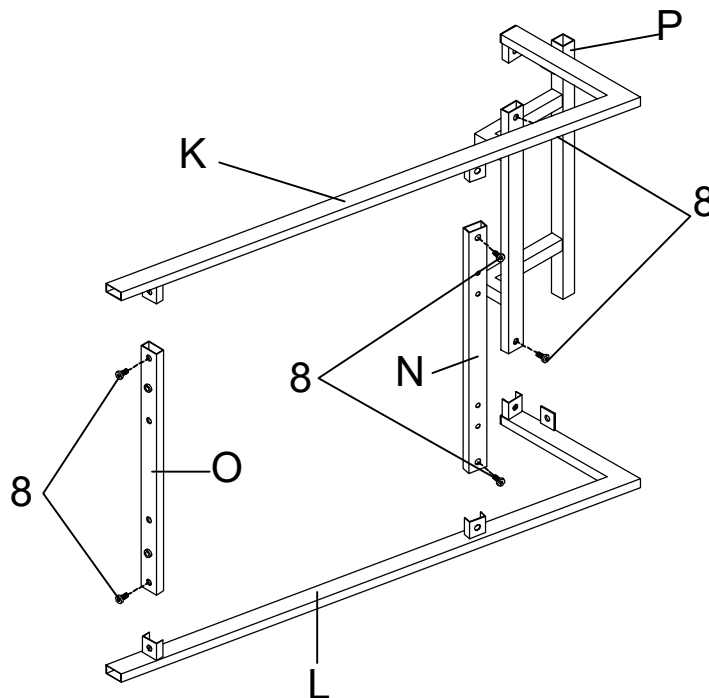
ITEM:181025

ASSEMBLY INSTRUCTIONS

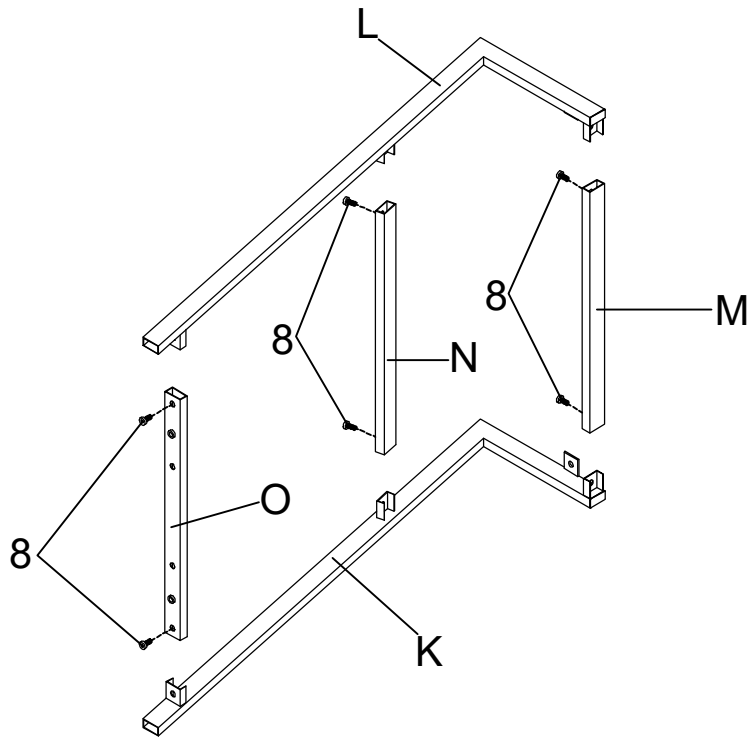
STEP 7



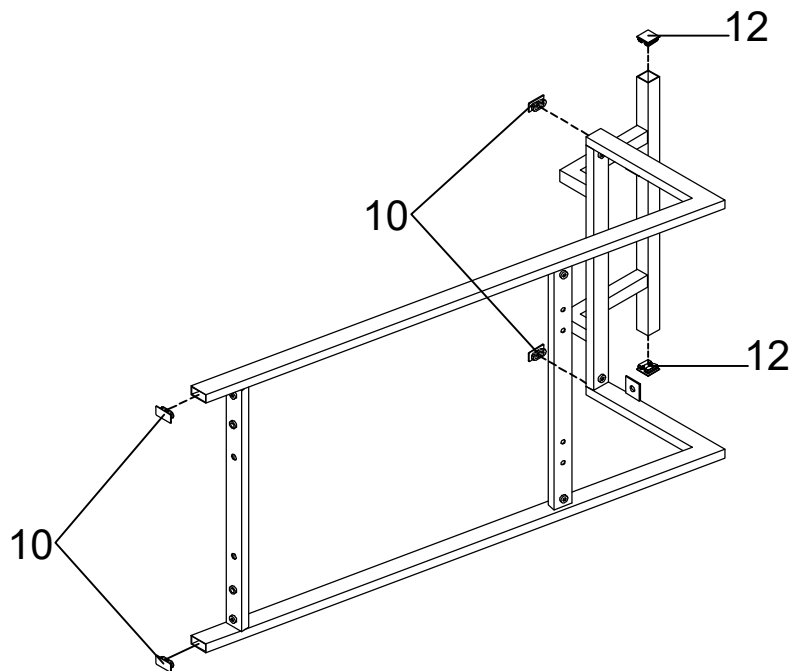
STEP 8



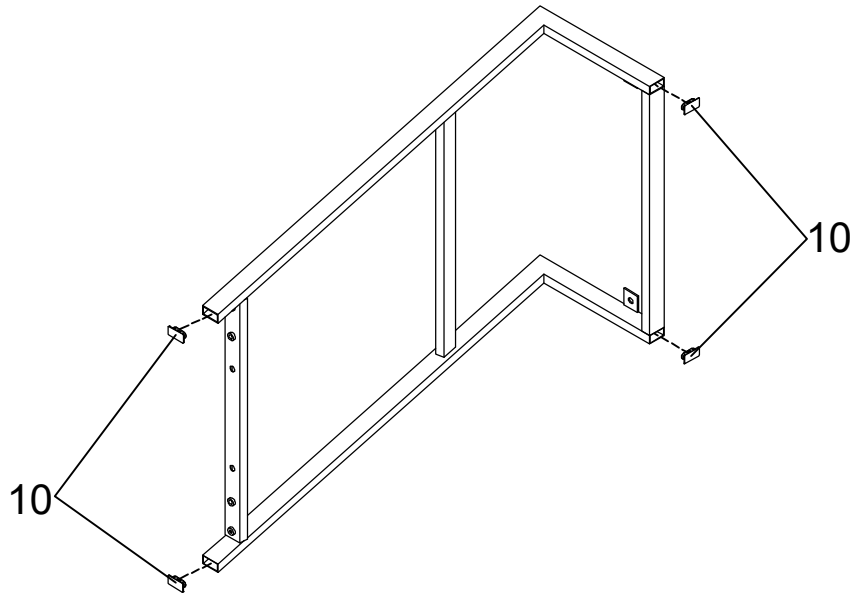
ITEM:181025
ASSEMBLY INSTRUCTIONS
STEP 9



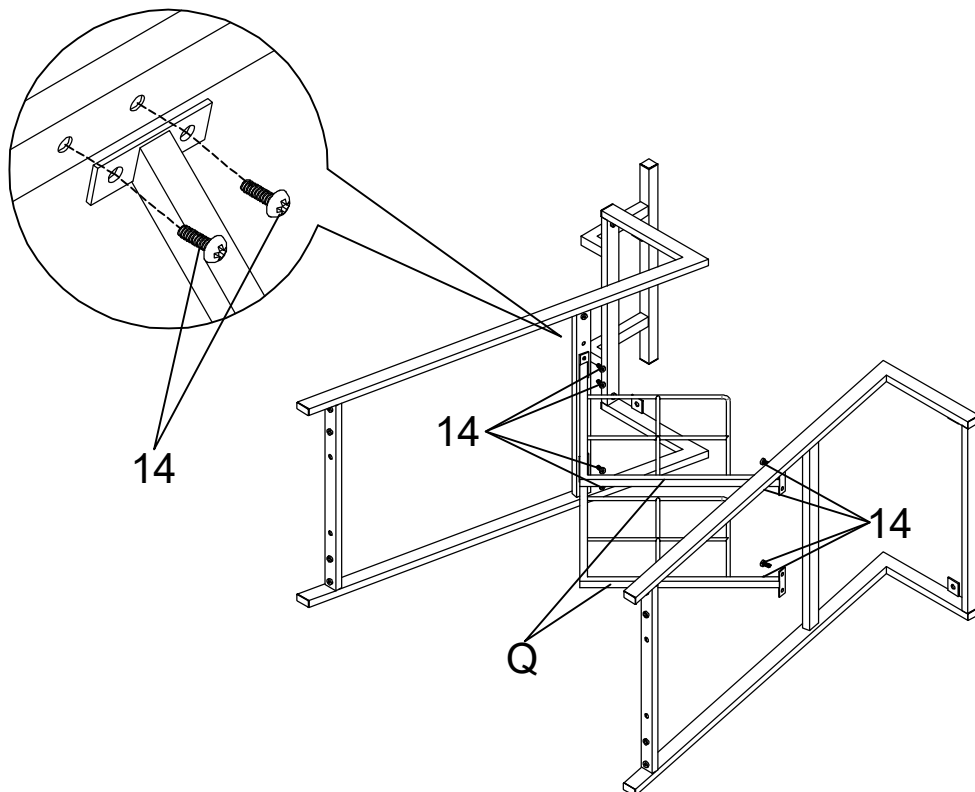
STEP 10



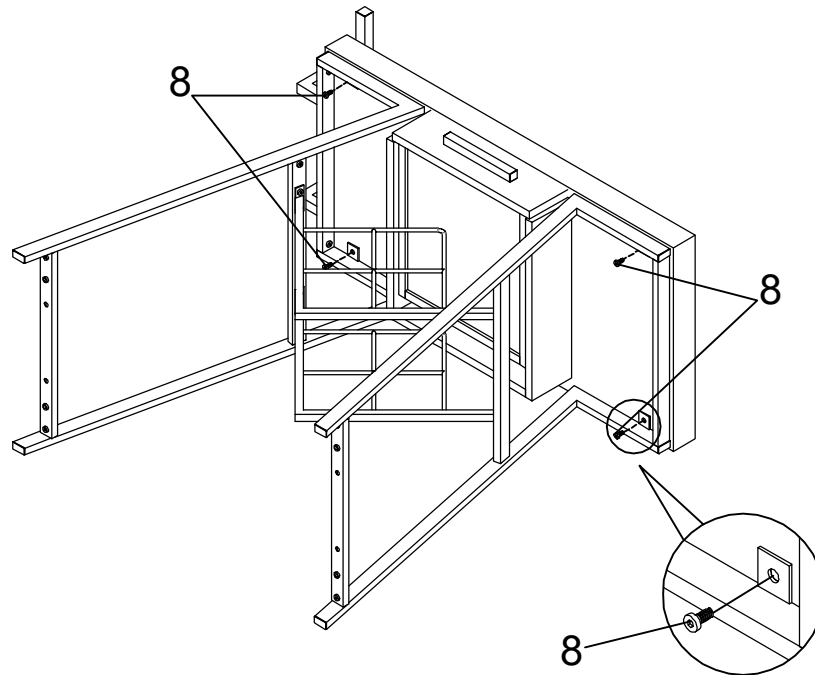
ITEM:181025
ASSEMBLY INSTRUCTIONS
STEP 11



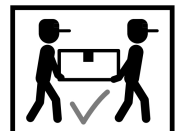
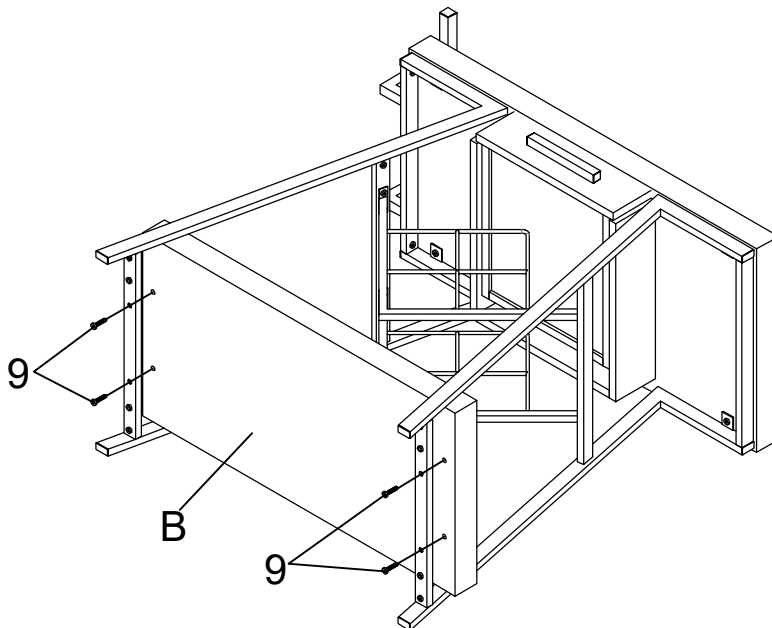
STEP 12



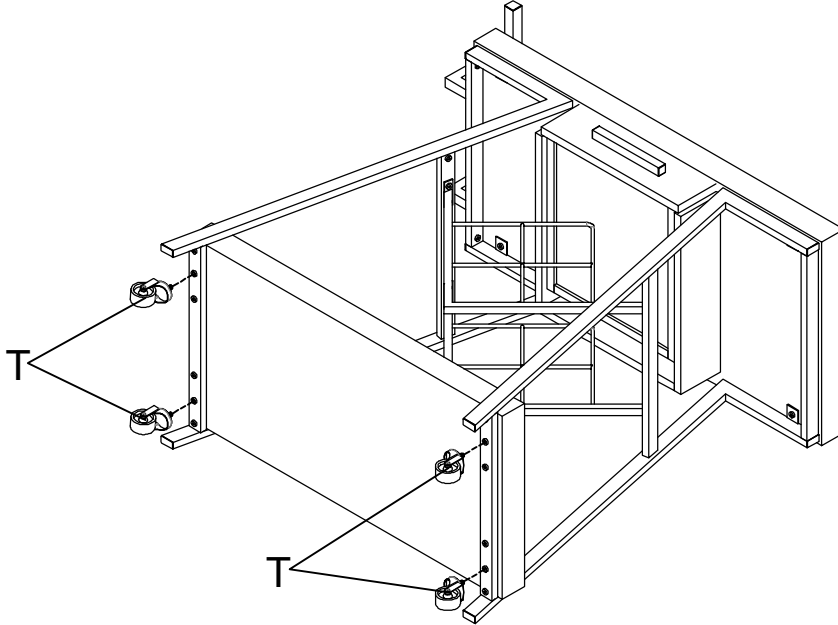
ITEM:181025
ASSEMBLY INSTRUCTIONS
STEP 13



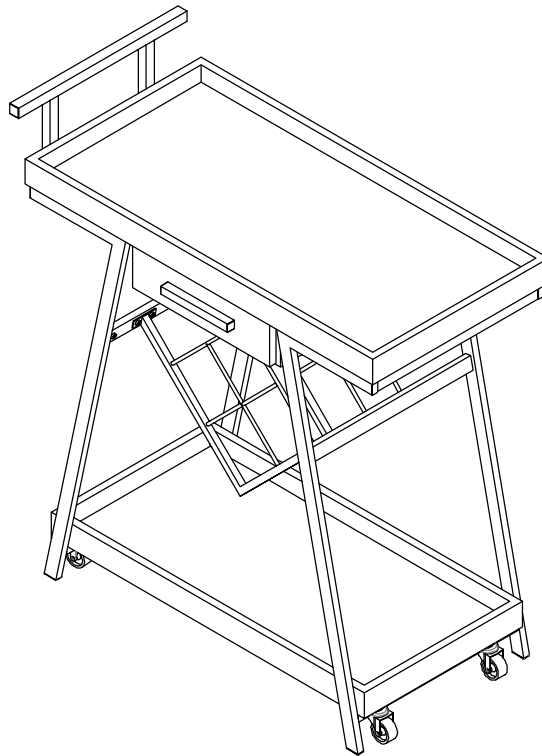
STEP 14



ITEM:181025
ASSEMBLY INSTRUCTIONS
STEP 15



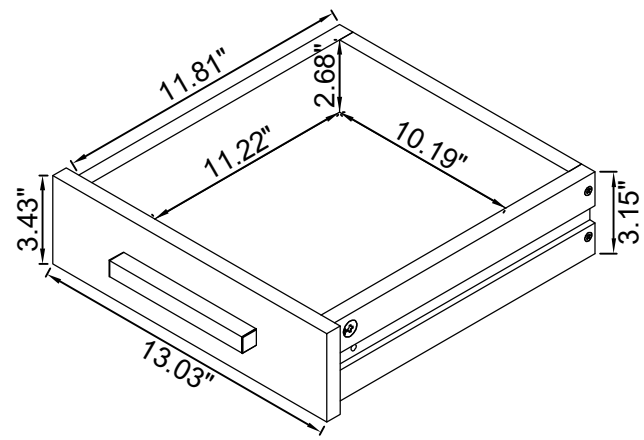
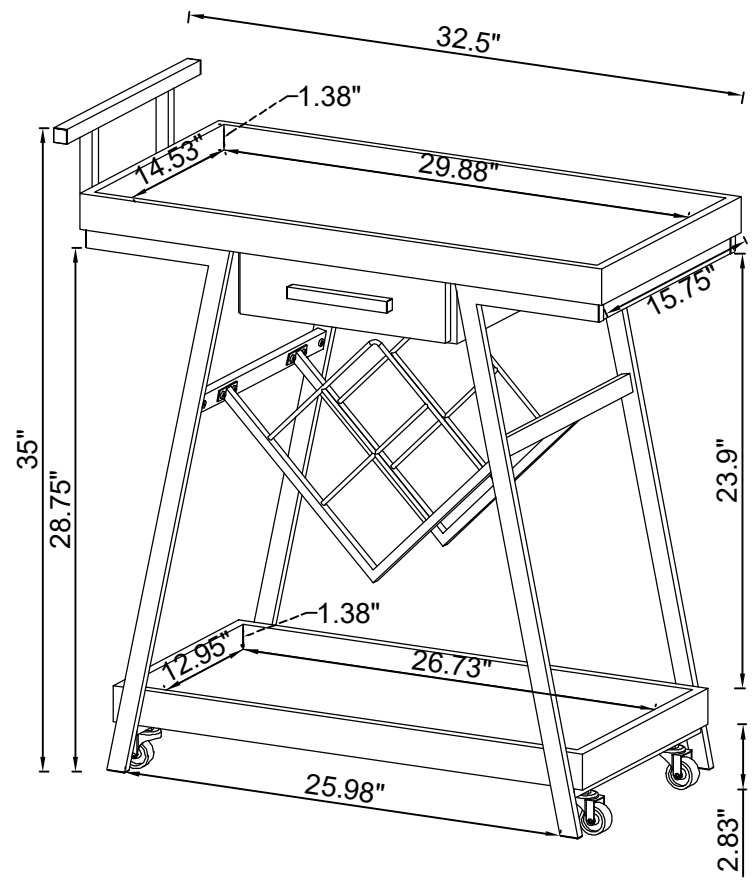
STEP 16
COMPLETE



ITEM:181025 ASSEMBLY INSTRUCTIONS



Product Size : 826 X 400 X 889 H (MM)
Product Size : 32.5" X 15.75" X 35"



Note : Dimension tolerance $\pm 5\%$