

**ASSEMBLY INSTRUCTIONS**  
**COASTER FINE FURNITURE**



*Fine Furniture for every stage of life*

**300836**  
**Daybed**

ITEM:300836



## ASSEMBLY INSTRUCTIONS

### ASSEMBLY TIPS:

1. Remove hardware from box and sort by size.
2. Please check to see that all hardware and parts are present prior to start of assembly.
3. Please follow attached instructions in the same sequence as numbered to assure fast & easy assembly.



### WARNING !

1. Don't attempt to repair or modify parts that are broken or defective. Please contact the store immediately.
2. This product is for home use only and not intended for commercial establishment.



ASSEMBLY TIME

40 MINUTE

## PARTS IDENTIFICATION

A BED SIDE FRAME		1PC	F BASE FRAME		3PCS
B HEADBOARD		1PC	G BACK LEFT DECORATE PLATE		1PC
C SIDE RAIL		1PC	H BACK RIGHT DECORATE PLATE		1PC
D FRONT RAIL		1PC	I FRONT DECORATE PLATE		2PCS
E LEG		1PC			

## HARDWARE IDENTIFICATION

1	BOLT (1/4"x5/8" - BLK)		21PCS	5	ALLEN KEY (4x22x60mm - BLK)		1PC
2	BOLT (1/4"x2" - BLK)		1PC	6	WRENCH (14mm BLK)		1PC
3	BOLT (5/16"x1/2" - BLK)		8PCS	7	BOLT (M6*12mm BLK)		3PCS
4	WASHER (ø16mm - BLK)		22PCS				

### NOTE:

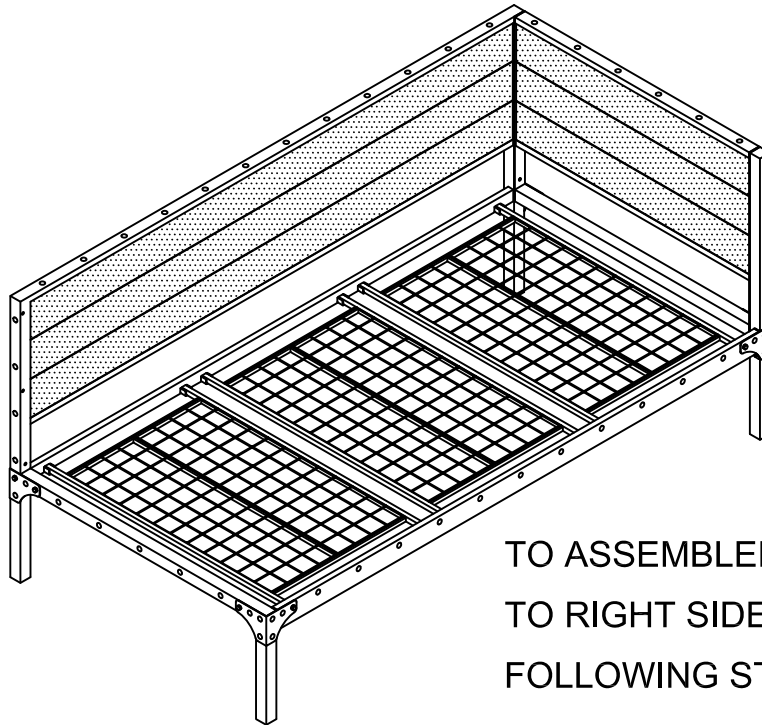
Bolt "7" have been pre-assembled on Part "A".

Phillips head screw driver is required in the assembly process; however, manufacturer does not provide this item.

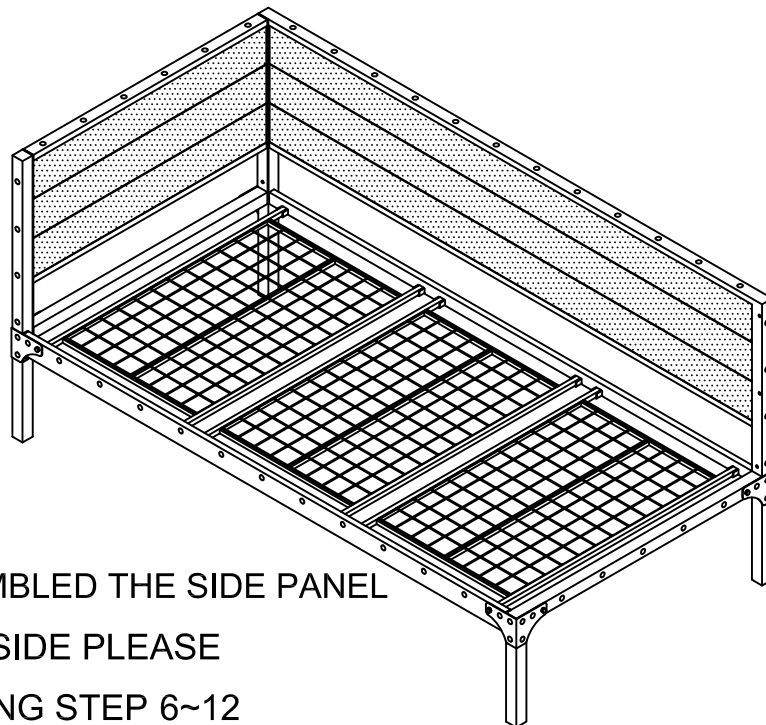
ITEM:300836



**THE SIDE PANEL CAN BE ASSEMBLED ON EITHER SIDE**



TO ASSEMBLED THE SIDE PANEL  
TO RIGHT SIDE PLEASE  
FOLLOWING STEP 1~5



TO ASSEMBLED THE SIDE PANEL  
TO LEFT SIDE PLEASE  
FOLLOWING STEP 6~12

ITEM: **300836**



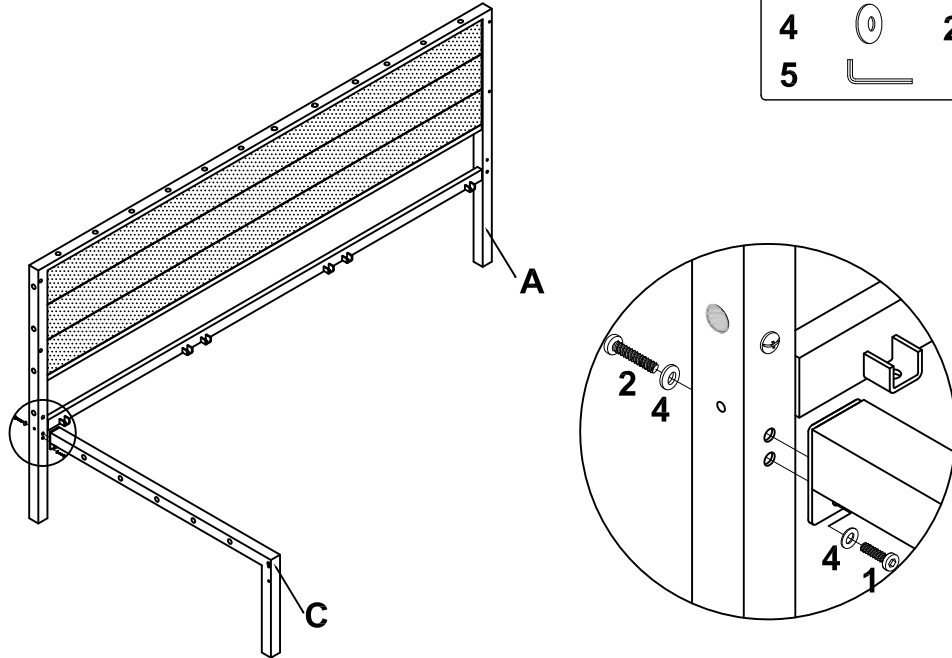
## ASSEMBLY INSTRUCTIONS

### STEP 1:

#### ASSEMBLY

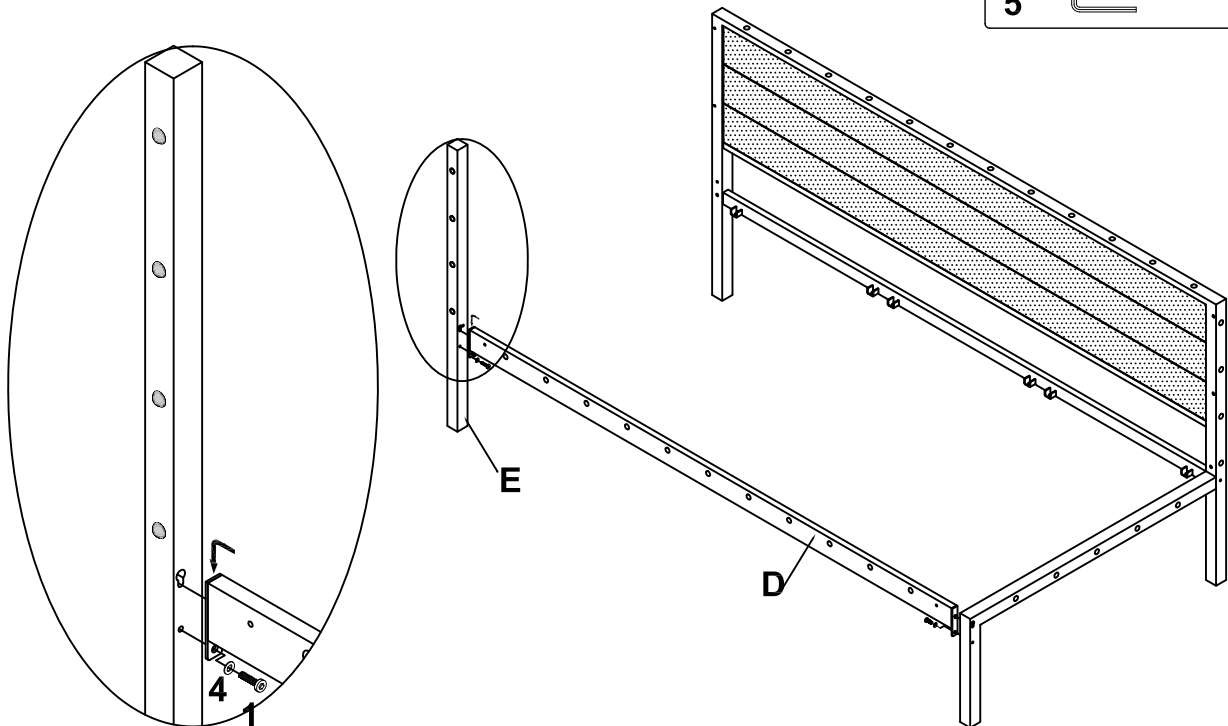
Do not fully tighten all bolts until assembly is complete.  
This will help all parts to assemble properly.

1		1PC
2		1PC
4		2PCS
5		



### STEP 2:

1		2PCS
4		2PCS
5		



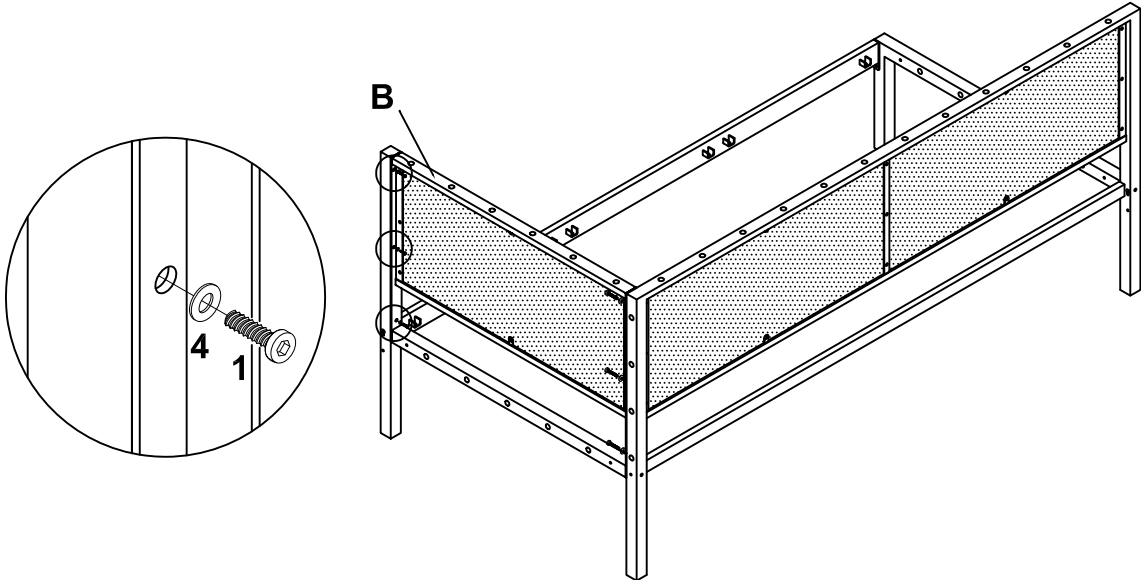
ITEM: **300836**

**ASSEMBLY INSTRUCTIONS**

**STEP 3:**

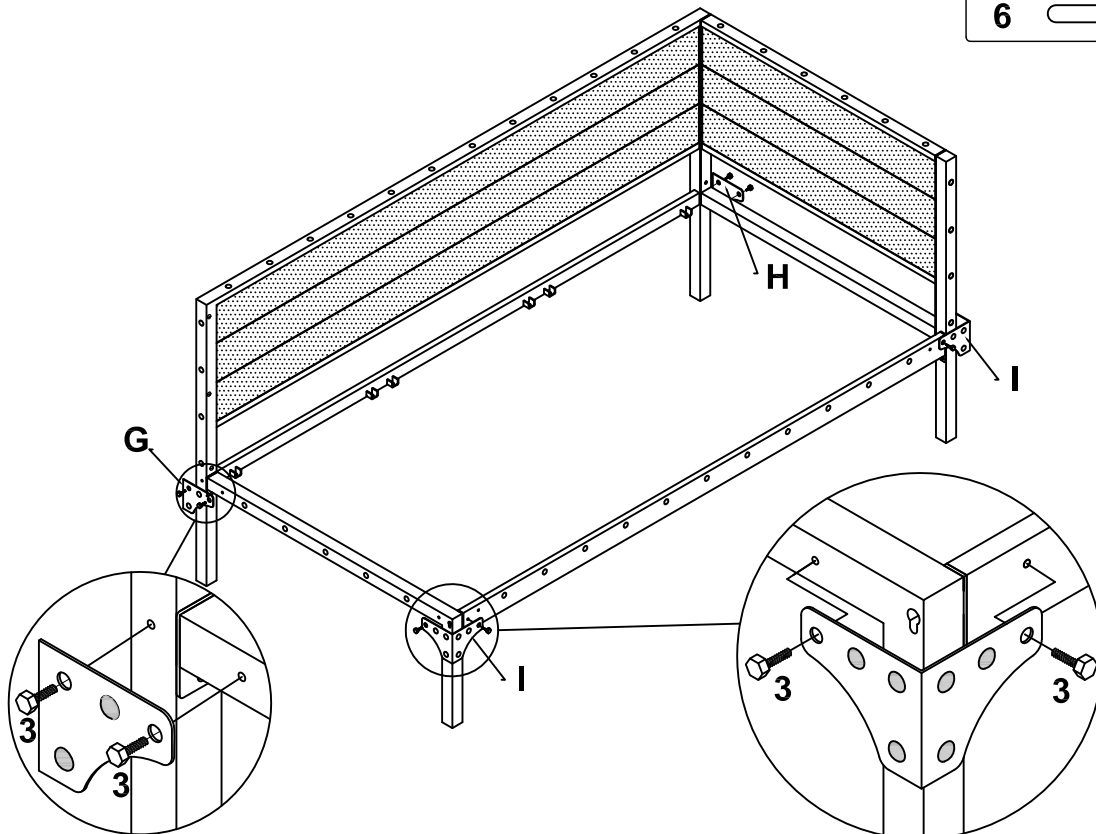


1		6PCS
4		6PCS
5		



**STEP 4:**

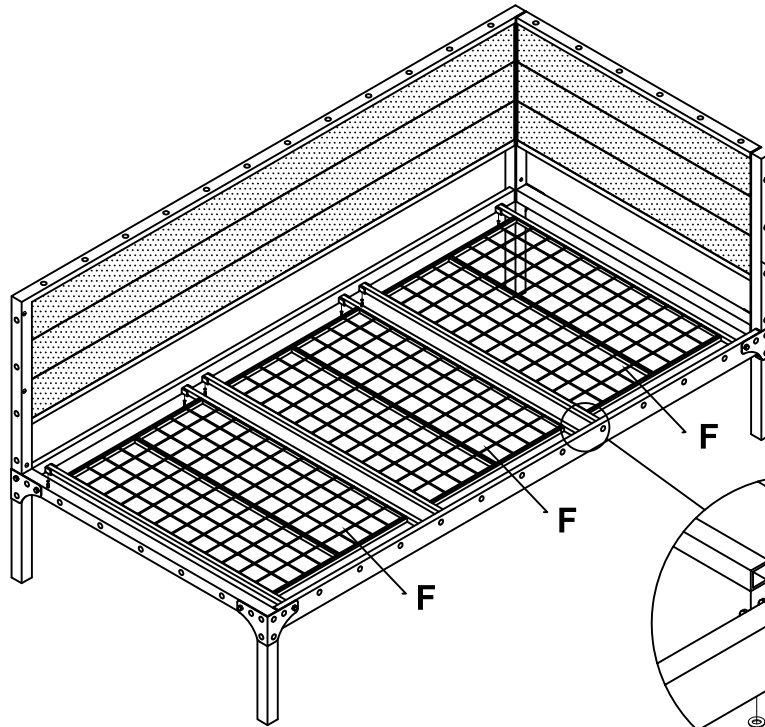
3		8PCS
6		



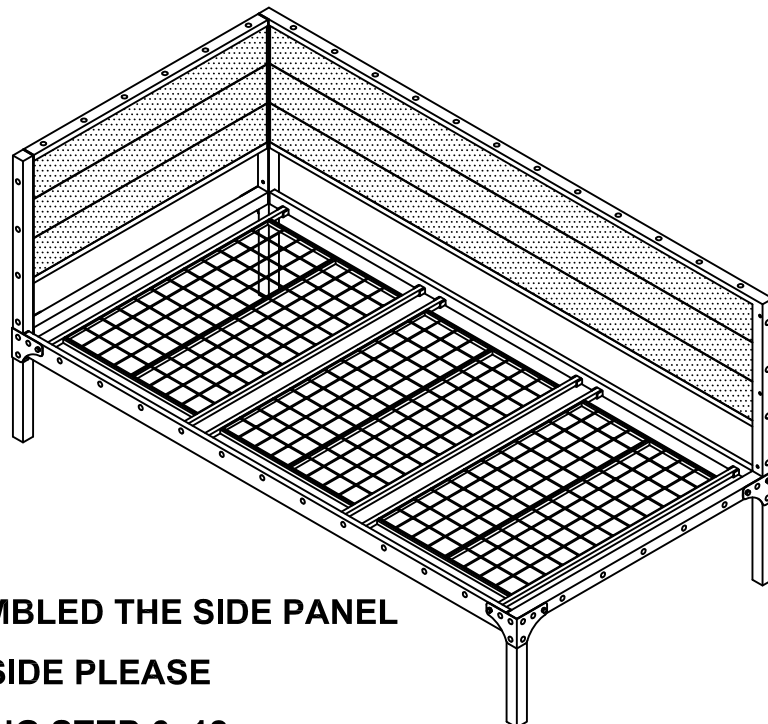
ITEM: **300836**

**ASSEMBLY INSTRUCTIONS**

**STEP 5:**



1		12PCS
4		12PCS
5		



**TO ASSEMBLED THE SIDE PANEL  
TO LEFT SIDE PLEASE  
FOLLOWING STEP 6~12**

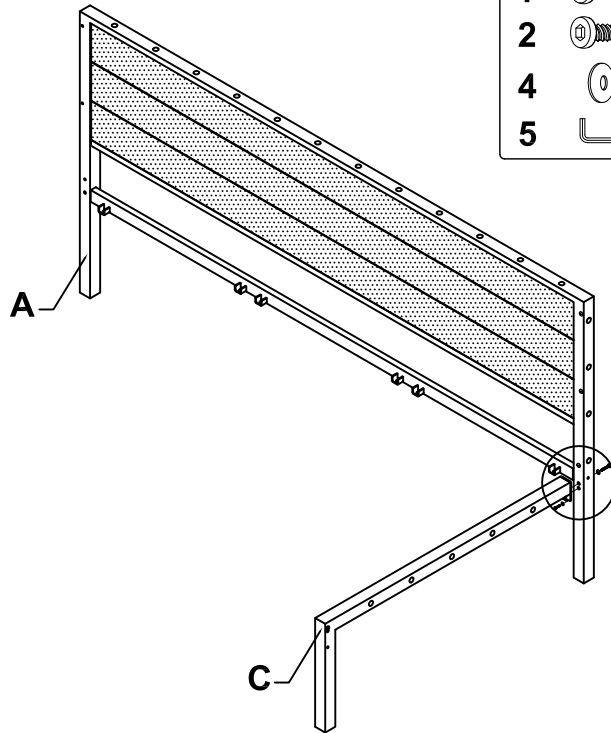
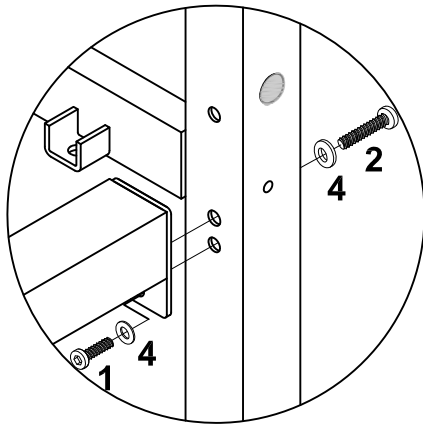
ITEM: **300836**

**ASSEMBLY INSTRUCTIONS**

**STEP 6:**

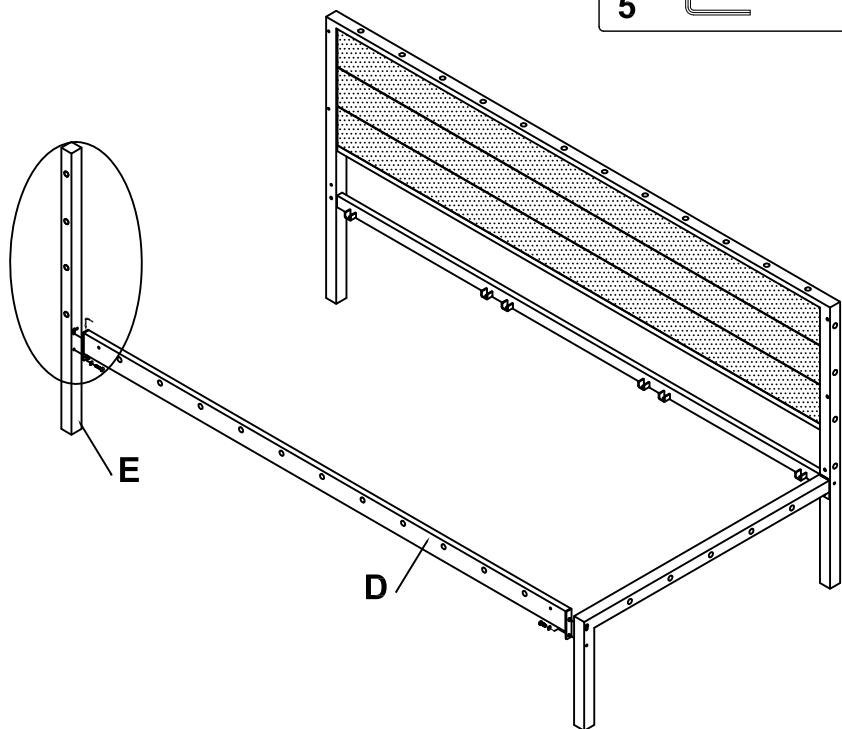
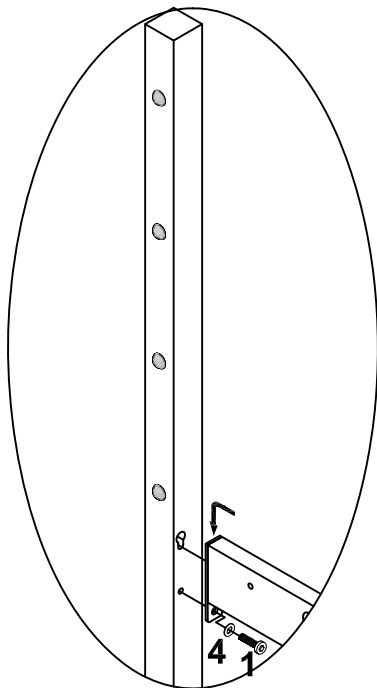


- |   |  |      |
|---|--|------|
| 1 |  | 1PC  |
| 2 |  | 1PC  |
| 4 |  | 2PCS |
| 5 |  |      |



**STEP 7:**

- |   |  |      |
|---|--|------|
| 1 |  | 2PCS |
| 4 |  | 2PCS |
| 5 |  |      |





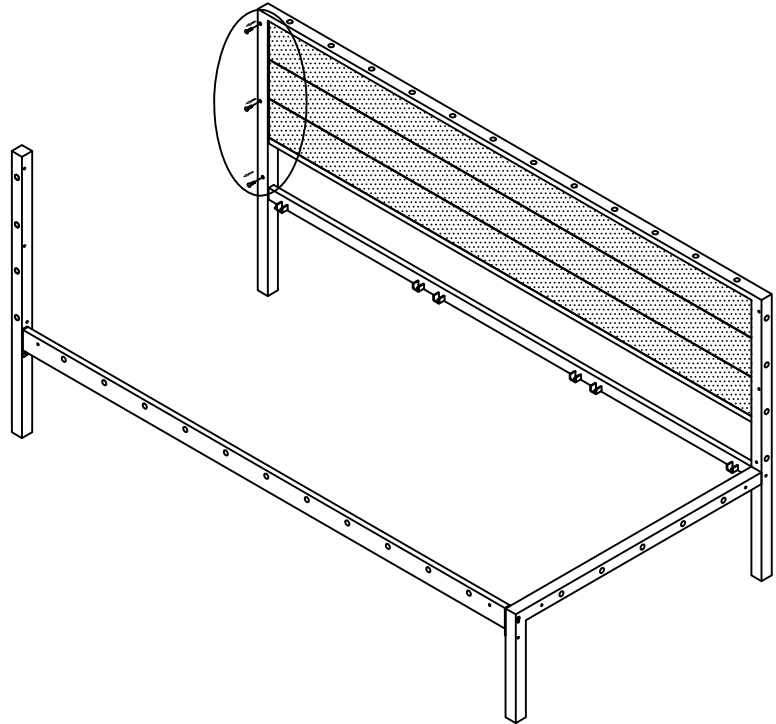
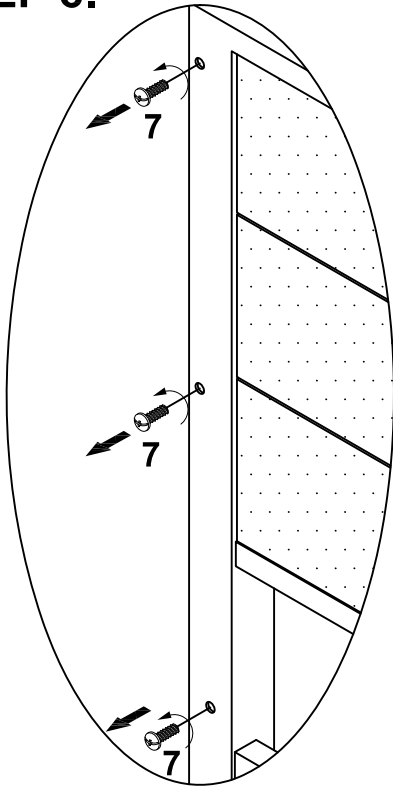
ITEM: **300836**

# ASSEMBLY INSTRUCTIONS

## STEP 8:

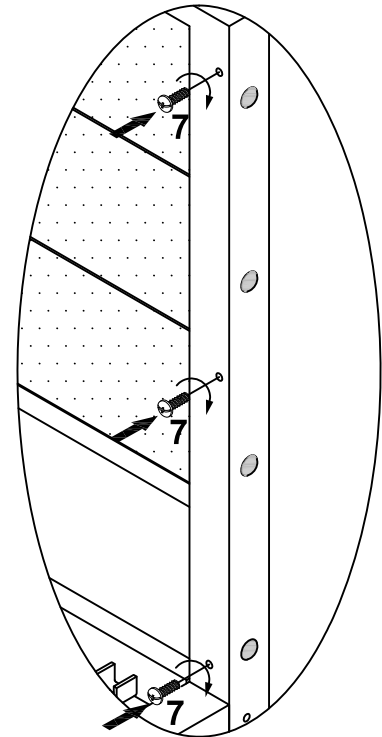
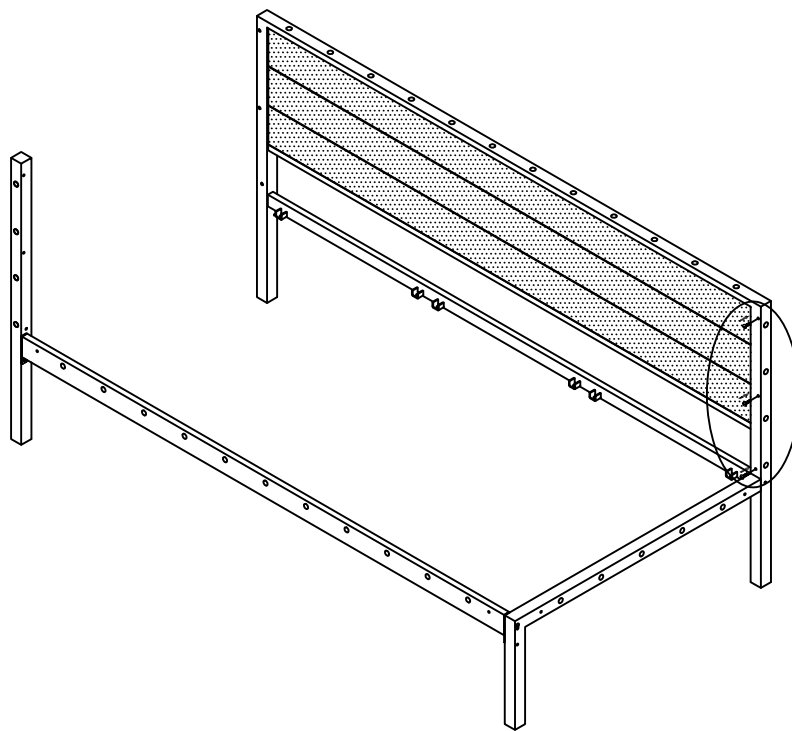


7  3PCS



## STEP 9:

7  3PCS





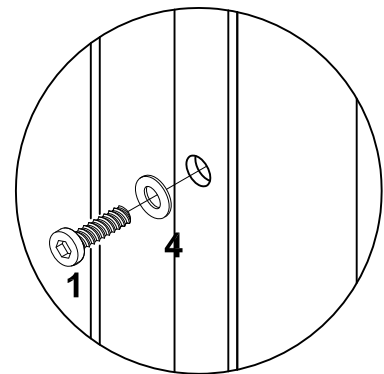
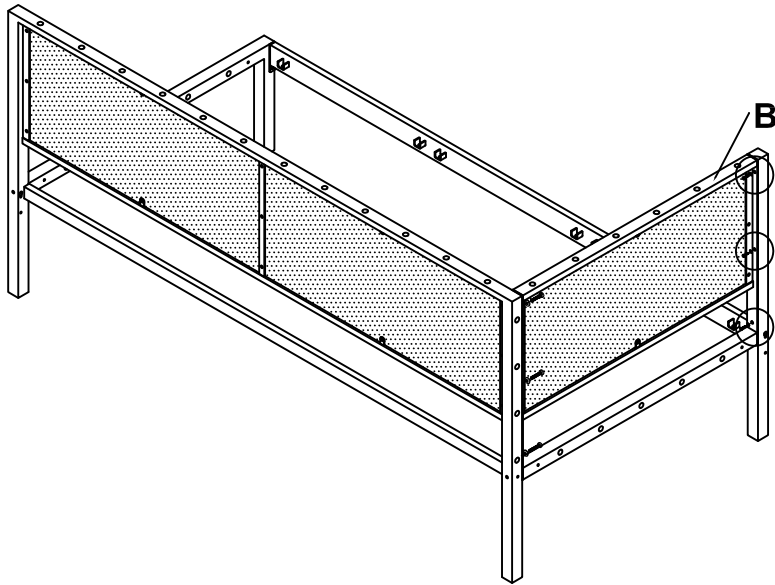
ITEM: **300836**

**ASSEMBLY INSTRUCTIONS**

**STEP 10:**

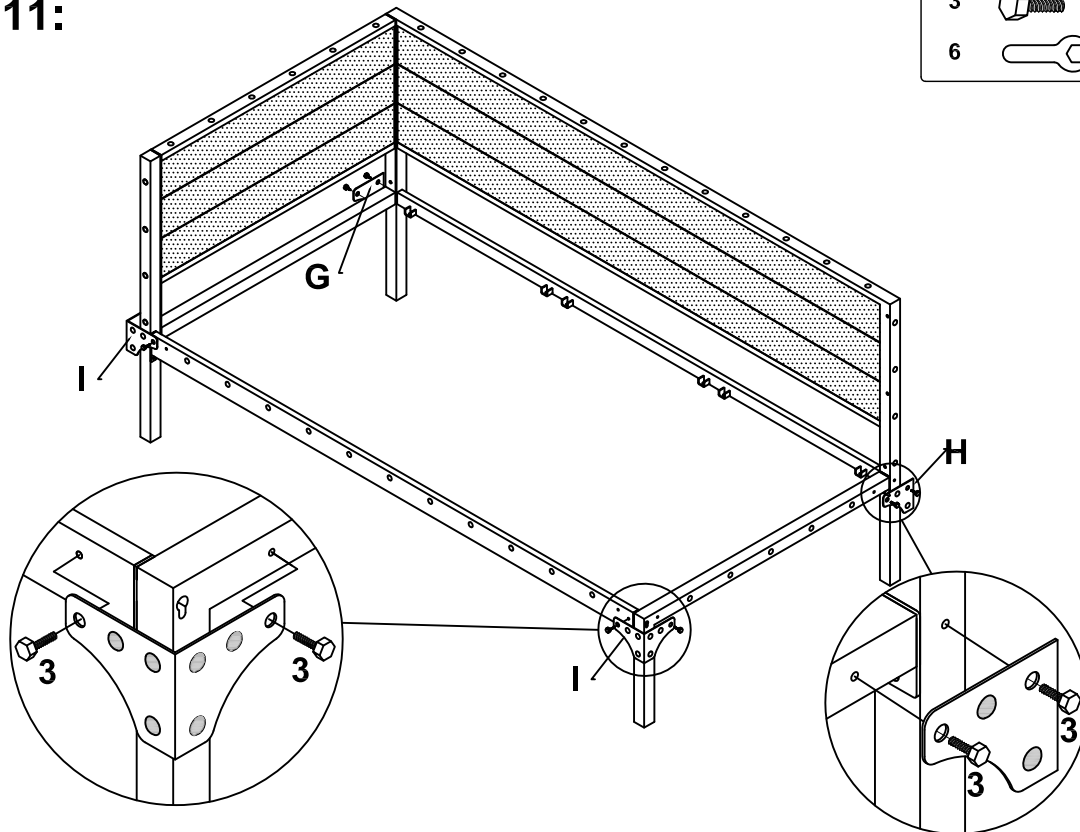


1		6PCS
4		6PCS
5		



**STEP 11:**

3		8PCS
6		






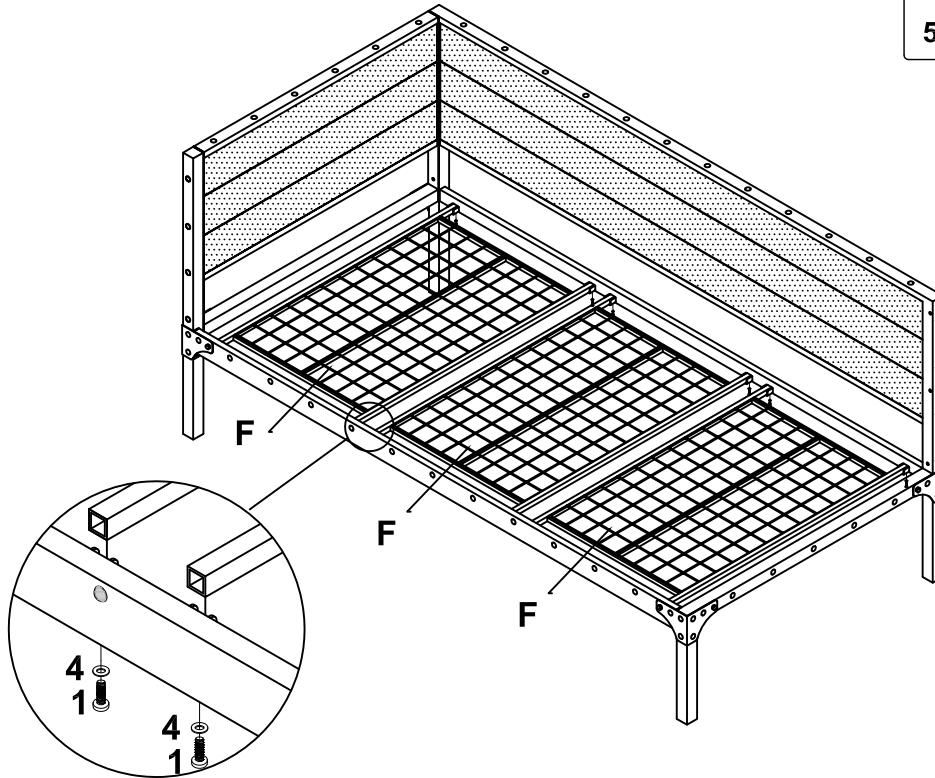
ITEM: **300836**

## ASSEMBLY INSTRUCTIONS

### STEP 12:



1		12PCS
4		12PCS
5		



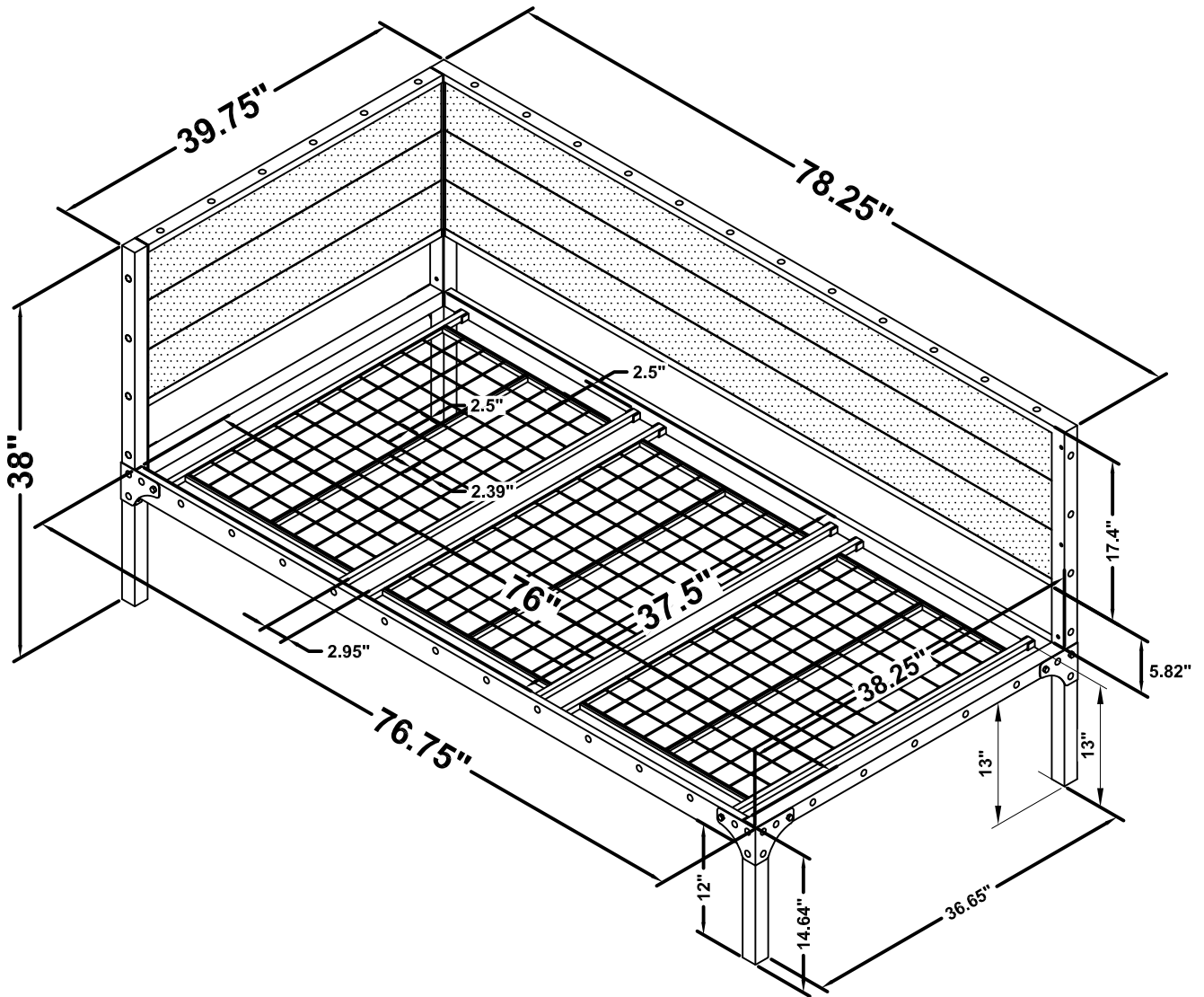
### WARNINGS:

- Use a 74"-75" long and 37 $\frac{1}{2}$ " - 38 $\frac{1}{2}$ " wide mattress.
- Do not allow horseplay or jumping on the bed.
- Periodically check and ensure that all the components are in their proper position, and that all connectors are tight.
- Do not use substitute parts, contact the store if you need anything replaced.
- Maximum total weight is not to exceed 400 lbs.

**Keep these instructions for future reference.**

ITEM:300836

**COASTER**  
FINE FURNITURE



**Note :** Dimension tolerance  $\pm 5\%$