



*ASSEMBLY INSTRUCTIONS
COASTER FINE FURNITURE*



Fine Furniture for every stage of life

610241
Motion Sofa

ITEM: 610241



ASSEMBLY INSTRUCTIONS

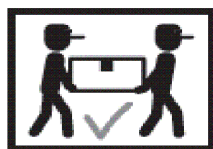
ASSEMBLY TIPS:

- 1.Remove hardware from box and sort by size.
- 2.Please check to see that all hardware and parts are present prior to start of assembly.
- 3.Please follow attached instructions in the same sequence as numbered to assure fast & easy assembly.

WARNING



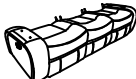





- 1.Don't attempt to repair or modify parts that are broken or defective. Please contact the store immediately.
- 2.This product is for home use only and not intended for commercial establishments.



ASSEMBLY TIME

5 MINUTES

PARTS IDENTIFICATION

A	SEAT		1PC
B	LEFT BACK		1PC
C	MIDDLE BACK		1PC
D	RIGHT BACK		1PC
E	LEFT ARM		1PC
F	RIGHT ARM		1PC

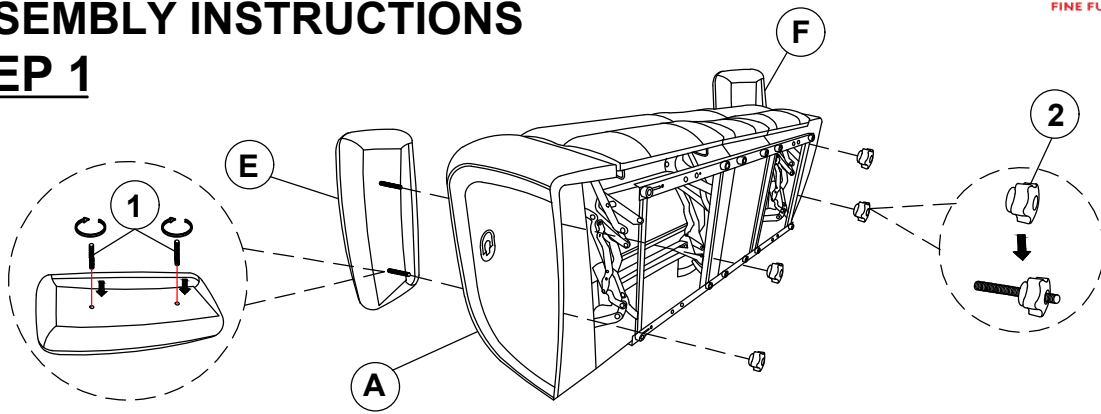
HARDWARE IDENTIFICATION

1	THREADED BOLT (Φ5/16")		4PCS
2	NUT (Φ5/16"*90L)		4PCS

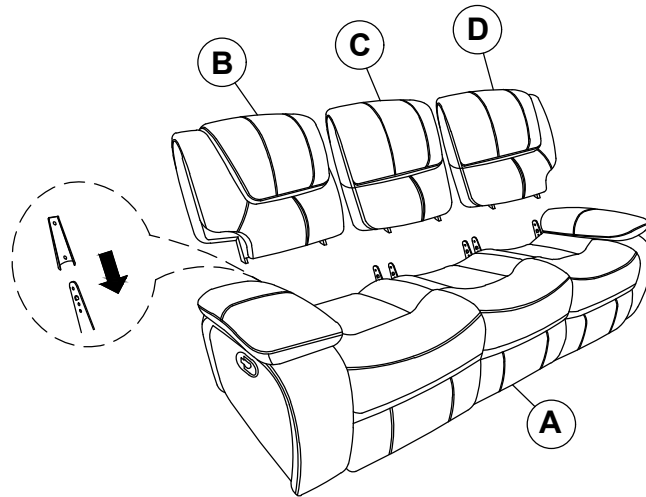
NOTE:

Phillips head screw driver is required in the assembly process ; however, manufacturer does not provide this item.

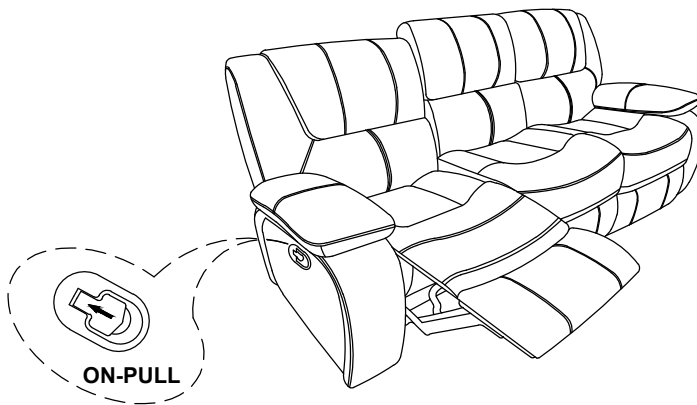
ITEM: **610241**
ASSEMBLY INSTRUCTIONS
STEP 1



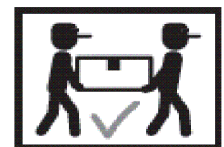
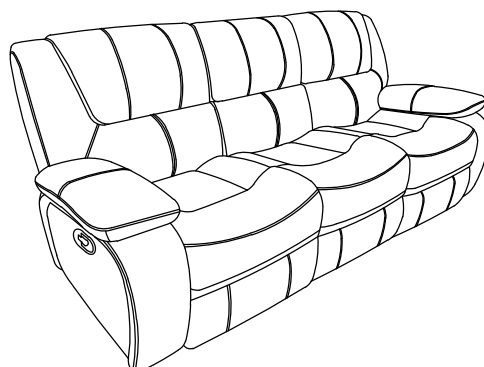
STEP 2



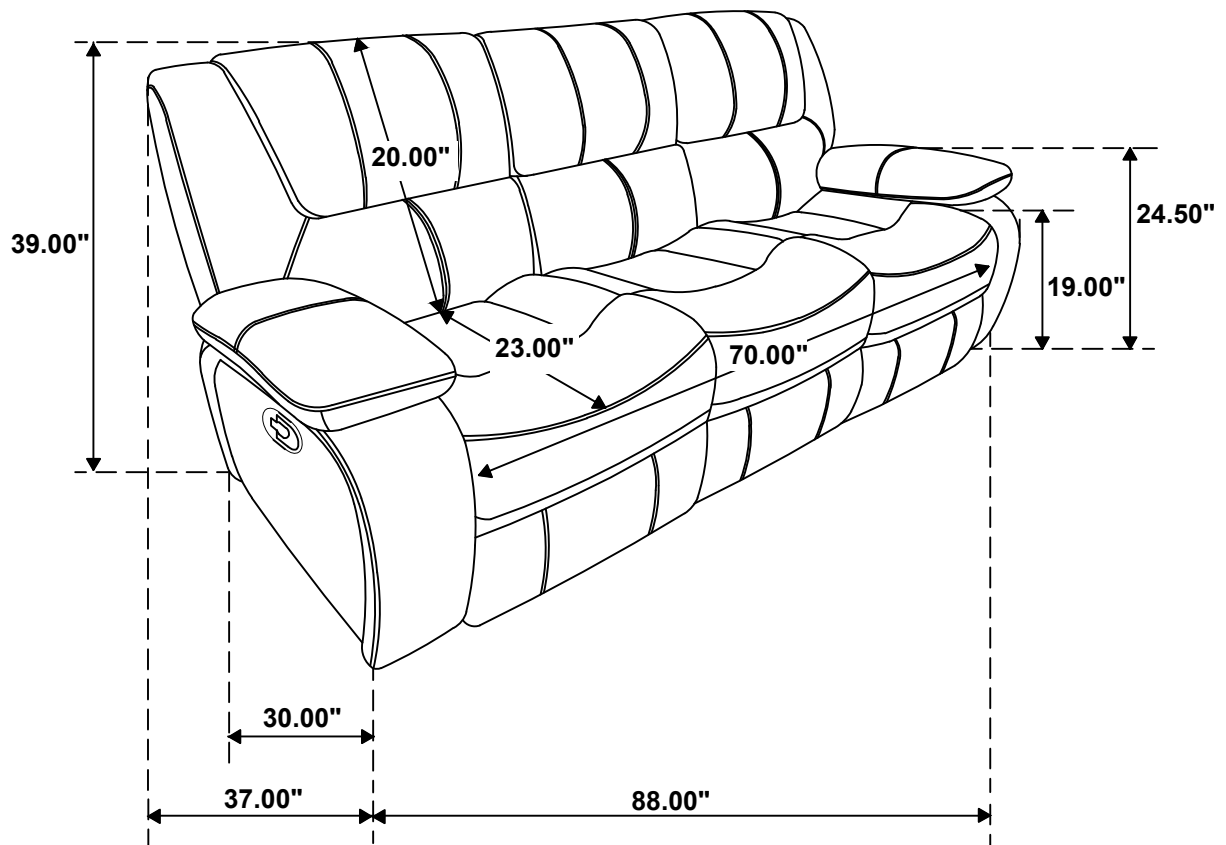
STEP 3



STEP 4
COMPLETE



ITEM: 610241



Note: Dimension tolerance $\pm 5\%$