



*ASSEMBLY INSTRUCTIONS*  
*COASTER FINE FURNITURE*



*Fine Furniture for every stage of life*

**610244**  
***MotionSofa***

# ITEM: 610244



## ASSEMBLY INSTRUCTIONS

### ASSEMBLY TIPS:

- 1.Remove hardware from box and sort by size.
- 2.Please check to see that all hardware and parts are present prior to start of assembly.
- 3.Please follow attached instructions in the same sequence as numbered to assure fast & easy assembly.

### WARNING



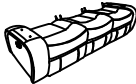





- 1.Don't attempt to repair or modify parts that are broken or defective. Please contact the store immediately.
- 2.This product is for home use only and not intended for commercial establishments.




ASSEMBLY TIME

5 MINUTES

## PARTS IDENTIFICATION

A	SEAT		1PC
B	LEFT BACK		1PC
C	MIDDLE BACK		1PC
D	RIGHT BACK		1PC
E	LEFT ARM		1PC
F	RIGHT ARM		1PC

## HARDWARE IDENTIFICATION

1	THREADED BOLT (Φ5/16")		4PCS
2	NUT (Φ5/16"*90L)		4PCS

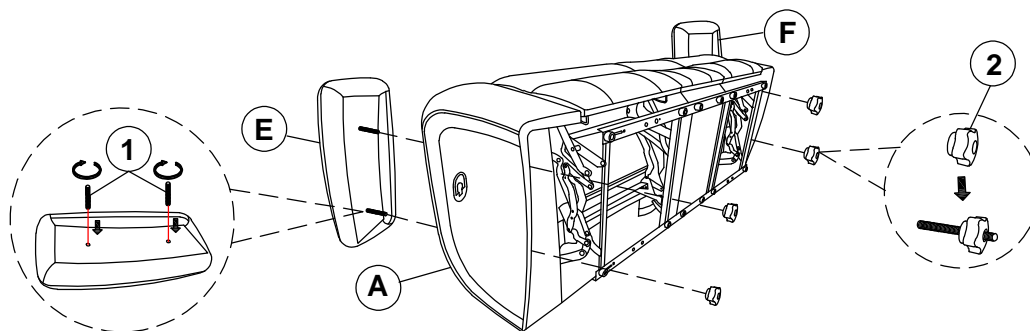
### NOTE:

Phillips head screw driver is required in the assembly process ; however, manufacturer does not provide this item.

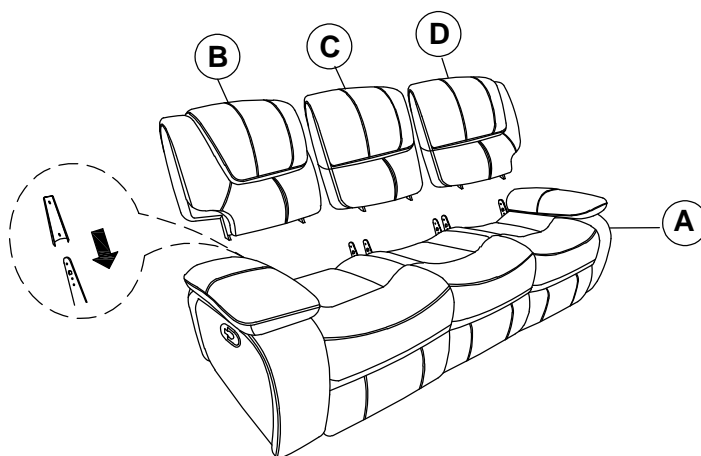
ITEM: **610244**  
**ASSEMBLY INSTRUCTIONS**



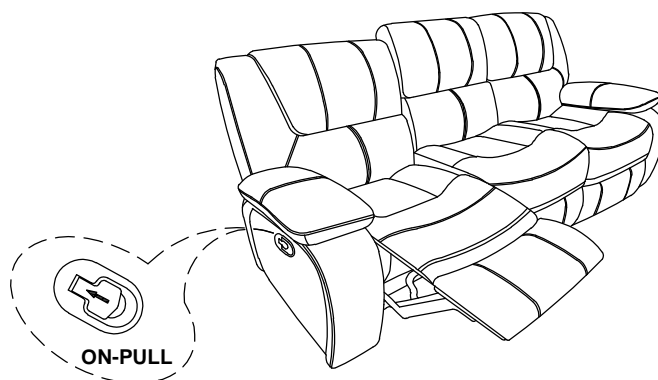
**STEP 1**



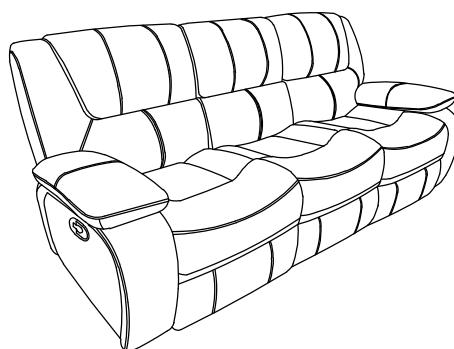
**STEP 2**



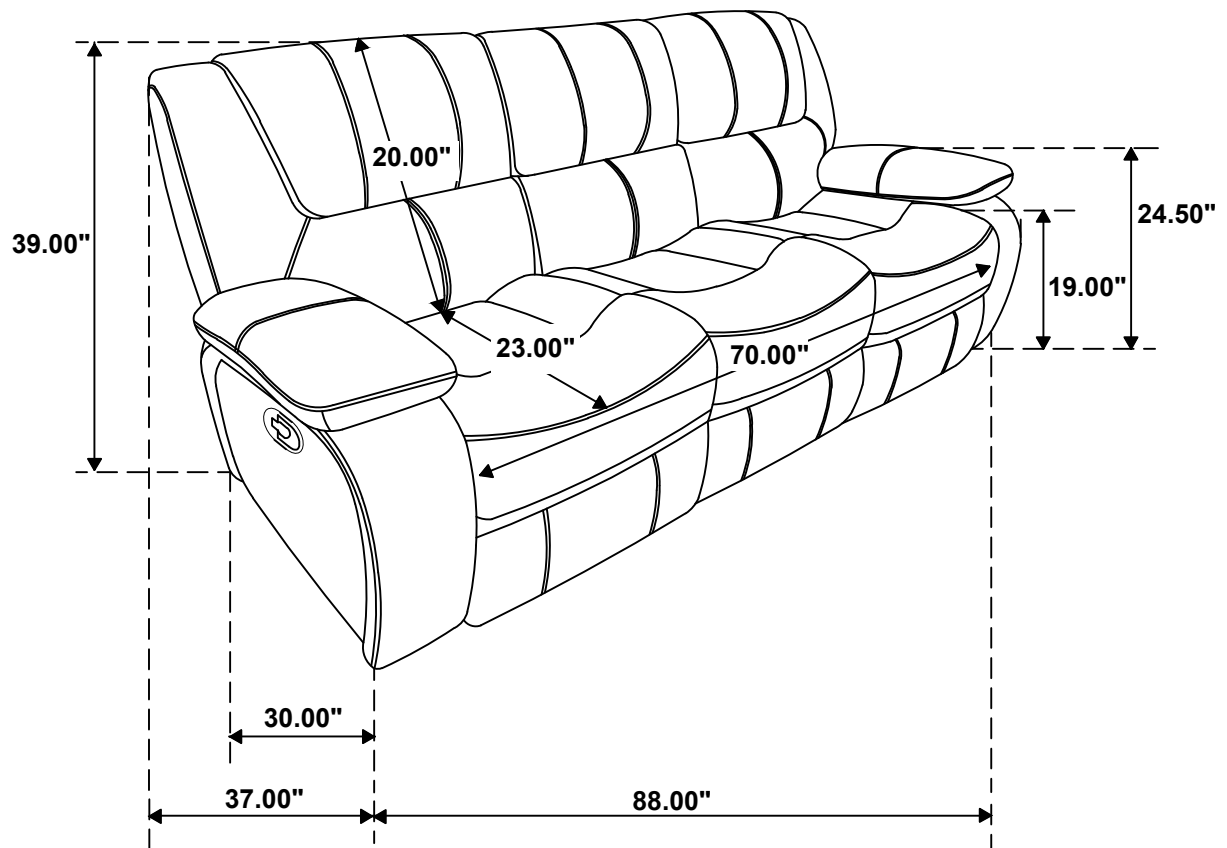
**STEP 3**



**STEP 4**  
**COMPLETE**



ITEM: 610244



Note: Dimension tolerance  $\pm 5\%$