



*ASSEMBLY INSTRUCTIONS  
COASTER FINE FURNITURE*



*Fine Furniture for every stage of life*

**610246**  
***Glider Recliner***

# ITEM: 610246

## ASSEMBLY INSTRUCTIONS



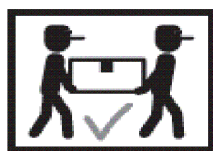
### ASSEMBLY TIPS:

- 1.Remove hardware from box and sort by size.
- 2.Please check to see that all hardware and parts are present prior to start of assembly.
- 3.Please follow attached instructions in the same sequence as numbered to assure fast & easy assembly.

### WARNING







- 1.Don't attempt to repair or modify parts that are broken or defective. Please contact the store immediately.
- 2.This product is for home use only and not intended for commercial establishments.



ASSEMBLY TIME

5 MINUTES

## PARTS IDENTIFICATION

|   |           |   |     |
|---|-----------|---|-----|
| A | SEAT      |    | 1PC |
| B | BACK      |  | 1PC |
| C | LEFT ARM  |  | 1PC |
| D | RIGHT ARM |  | 1PC |

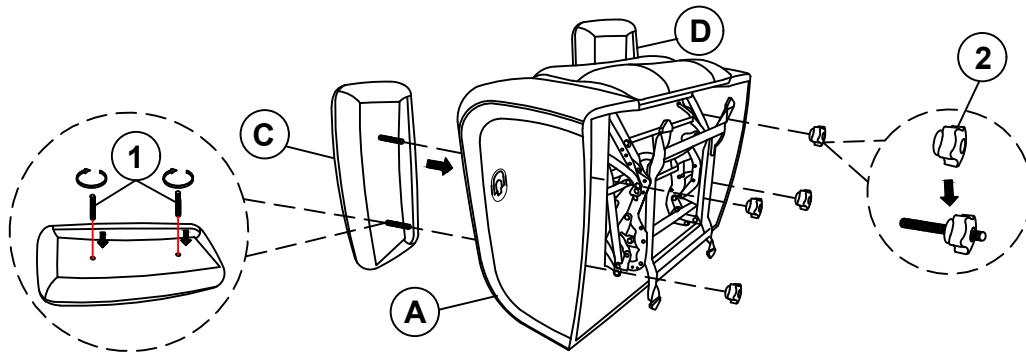
## HARDWARE IDENTIFICATION

|   |                           |   |      |
|---|---------------------------|---|------|
| 1 | THREADED BOLT<br>(Φ5/16") |  | 4PCS |
| 2 | NUT<br>(Φ5/16**90L)       |  | 4PCS |

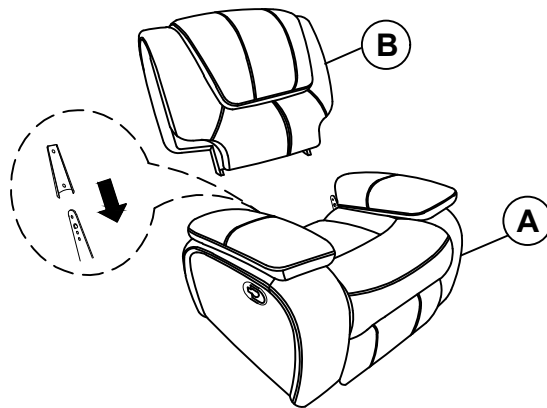
### NOTE:

Phillips head screw driver is required in the assembly process ; however, manufacturer does not provide this item.

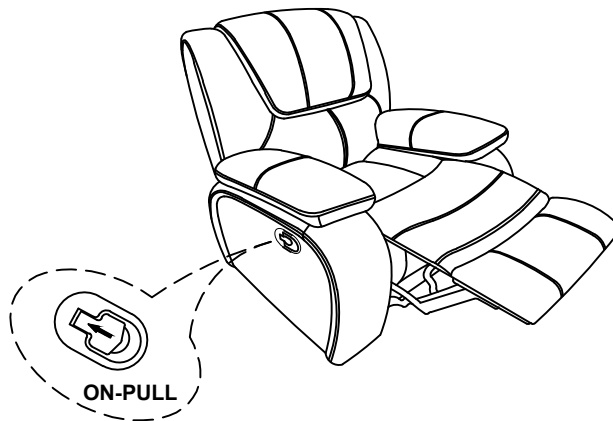
ITEM: **610246**  
**ASSEMBLY INSTRUCTIONS**  
**STEP 1**



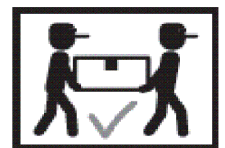
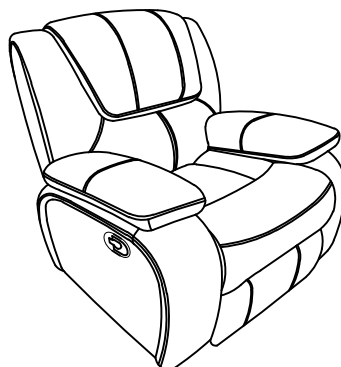
**STEP 2**



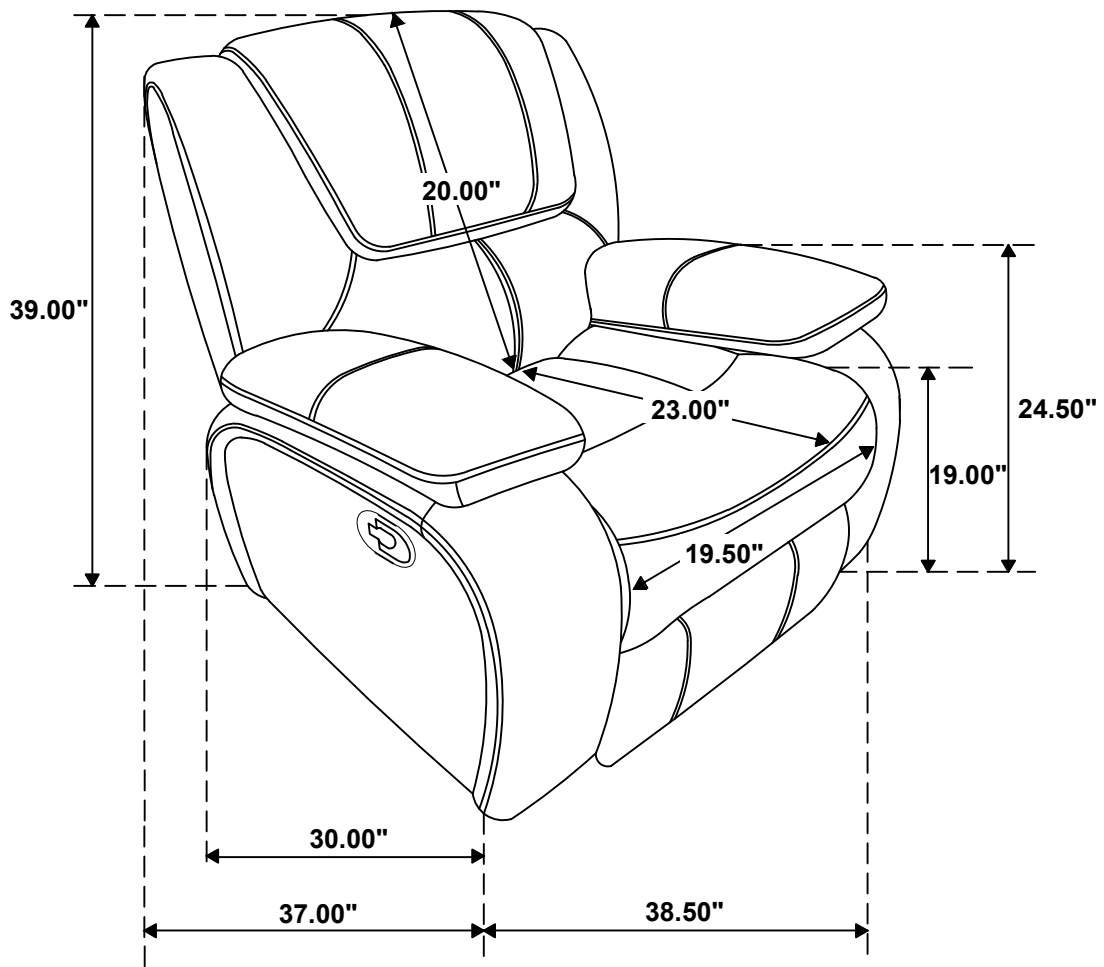
**STEP 3**



**STEP 4**  
**COMPLETE**



ITEM: 610246



Note: Dimension tolerance  $\pm 5\%$