



*ASSEMBLY INSTRUCTIONS
COASTER FINE FURNITURE*



Fine Furniture for very stage of life

224471KE(B1-B3)
Eastern King Bed

ITEM: 224471KE(B1-B3)

ASSEMBLY INSTRUCTIONS



ASSEMBLY TIPS:

- 1.Remove hardware from box and sort by size.
- 2.Please check to see that all hardware and parts are present prior to start of assembly.
- 3.Please follow attached instruction in the same sequence as numbered to assure fast & easy assembly.



WARNING!

- 1.Don't attempt to repair or modify parts that are broken or defective. Please contact the store immediately.
- 2.This product is for home use only and not intended for commercial establishments.



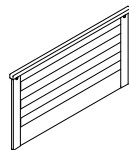
ASSEMBLY TIME

25 MINUTES

PARTS IDENTIFICATION

B1 (BOX 1)

A HEADBOARD PANEL



1PC

B HEADBOARD
BOTTOM RAIL



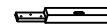
1PC

C RIGHT
HEADBOARD LEG



1PC

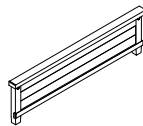
D LEFT
HEADBOARD LEG



1PC

B2 (BOX 2)

E FOOTBOARD



1PC

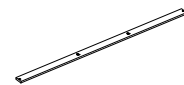
B3 (BOX 3)

F BED RAIL



2PCS

G BED SLAT



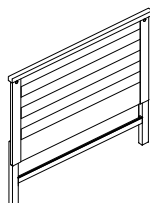
4PCS

H BED SLAT SUPPORT
WITH LEVELER



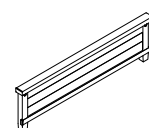
8PCS

HB 224471KE (B1)
FROM BOX 1
HEADBOARD
COMPLETE



1PC

FB 224471KE (B2)
FROM BOX 2
FOOTBOARD



1PC

ITEM: 224471KE(B1-B3)

ASSEMBLY INSTRUCTIONS



ASSEMBLY TIPS:

- 1.Remove hardware from box and sort by size.
- 2.Please check to see that all hardware and parts are present prior to start of assembly.
- 3.Please follow attached instruction in the same sequence as numbered to assure fast & easy assembly.







WARNING!

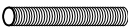



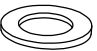

- 1.Don't attempt to repair or modify parts that are broken or defective. Please contact the store immediately.
- 2.This product is for home use only and not intended for commercial establishments.

HARDWARE IDENTIFICATION

Z-B1 (BOX 1) - HARDWARE PACK IS LOCATED IN 224471KE (B1)

1	BOLT (Ø5/16" x 50MM-RBW)		8PCS	3	FLAT WASHER (Ø5/16" x 19 x 2MM - RBW)		8PCS
2	LOCK WASHER (Ø5/16" x 14 x 2MM - RBW)		8PCS	4	ALLEN WRENCH (M4 x 58MM- RBW)		1PC

Z-B3 (BOX 3) - HARDWARE PACK IS LOCATED IN 224471KE (B3)

5	THREADED BOLT (Ø5/16" x 90MM - RBW)		8PCS	8	HEX NUT (Ø5/16" x12 x 18MM - RBW)		8PCS
6	LOCK WASHER (Ø5/16" x 14 x 2MM - RBW)		8PCS	9	WRENCH (M12 x L90MM - RBW)		1PC
7	FLAT WASHER (Ø5/16" x 19 x 2MM - RBW)		8PCS	10	FLAT HEAD SCREW (Ø8" x 30MM - RBW)		8PCS

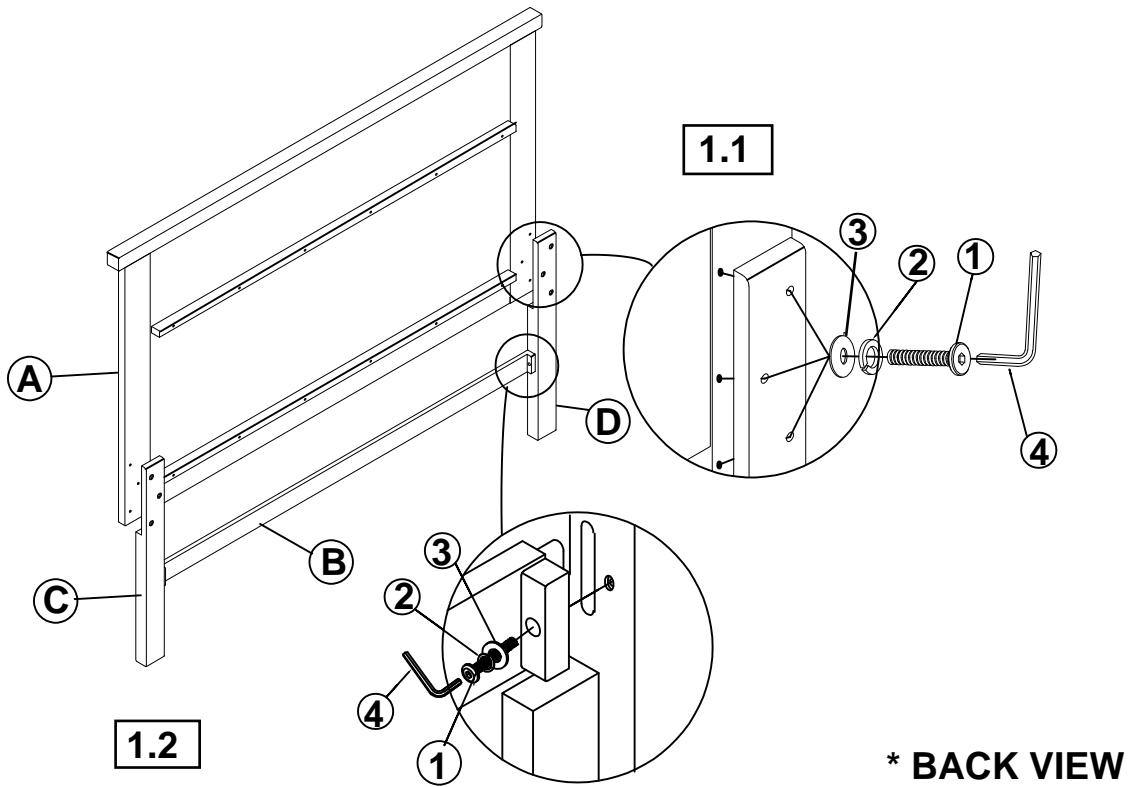
NOTE:

Phillips head screw driver is required in the assembly process; however, manufacturer does not provide this item.

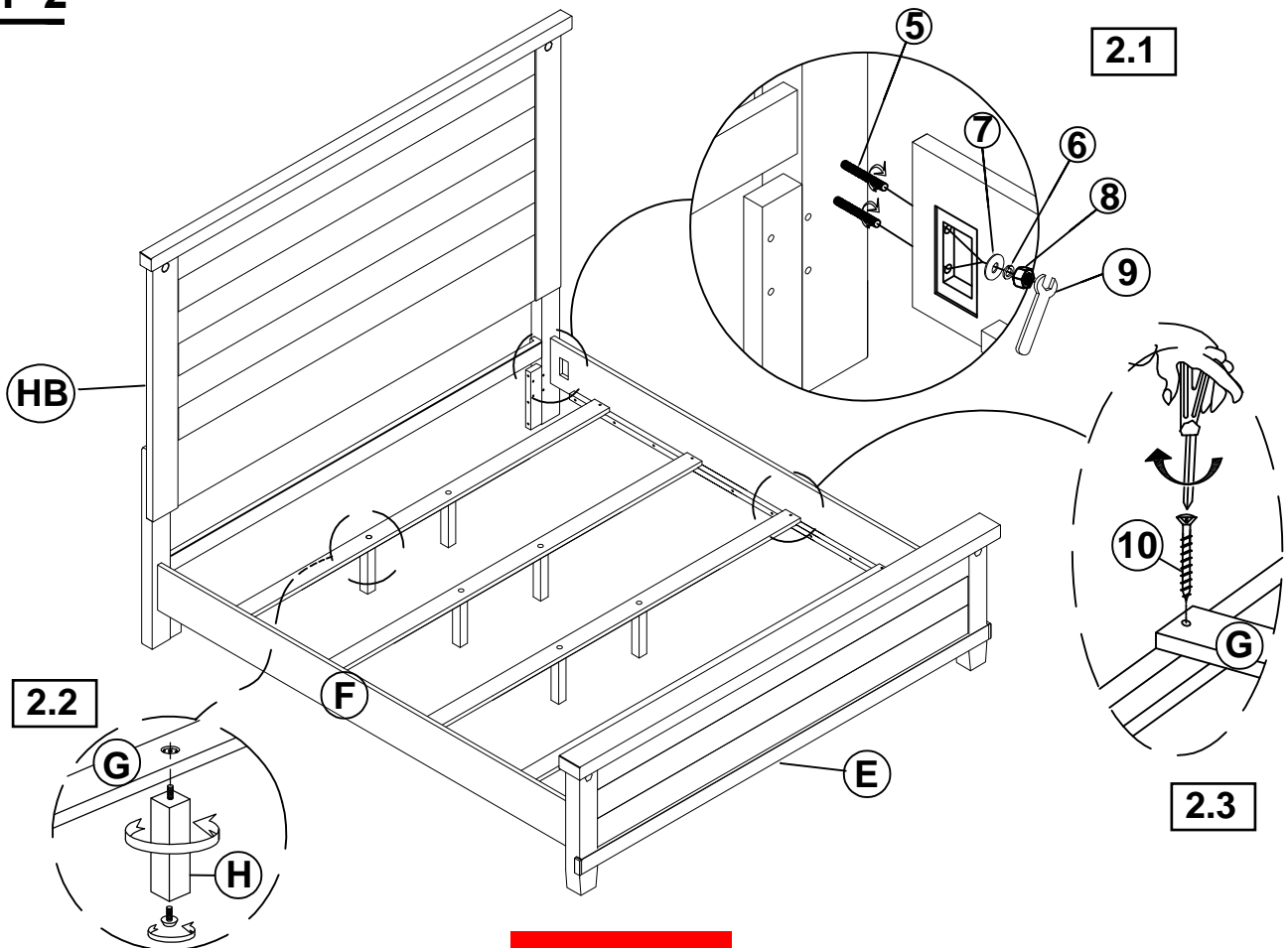
ITEM: 224471KE(B1-B3)

ASSEMBLY INSTRUCTIONS

STEP 1



STEP 2

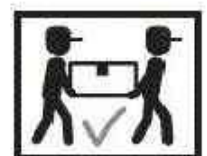
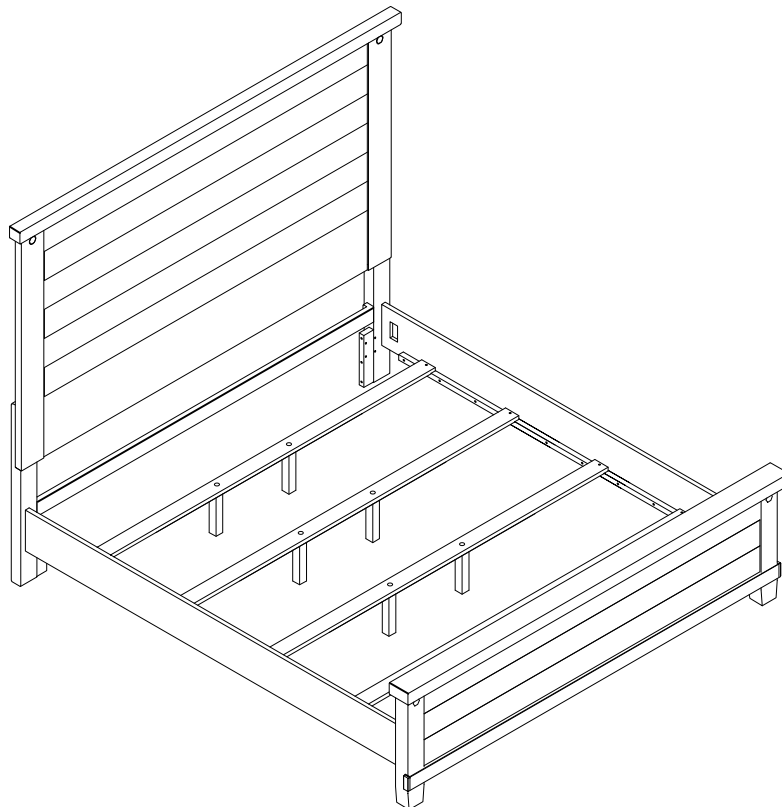


ITEM: **224471KE(B1-B3)**

ASSEMBLY INSTRUCTIONS

STEP 3

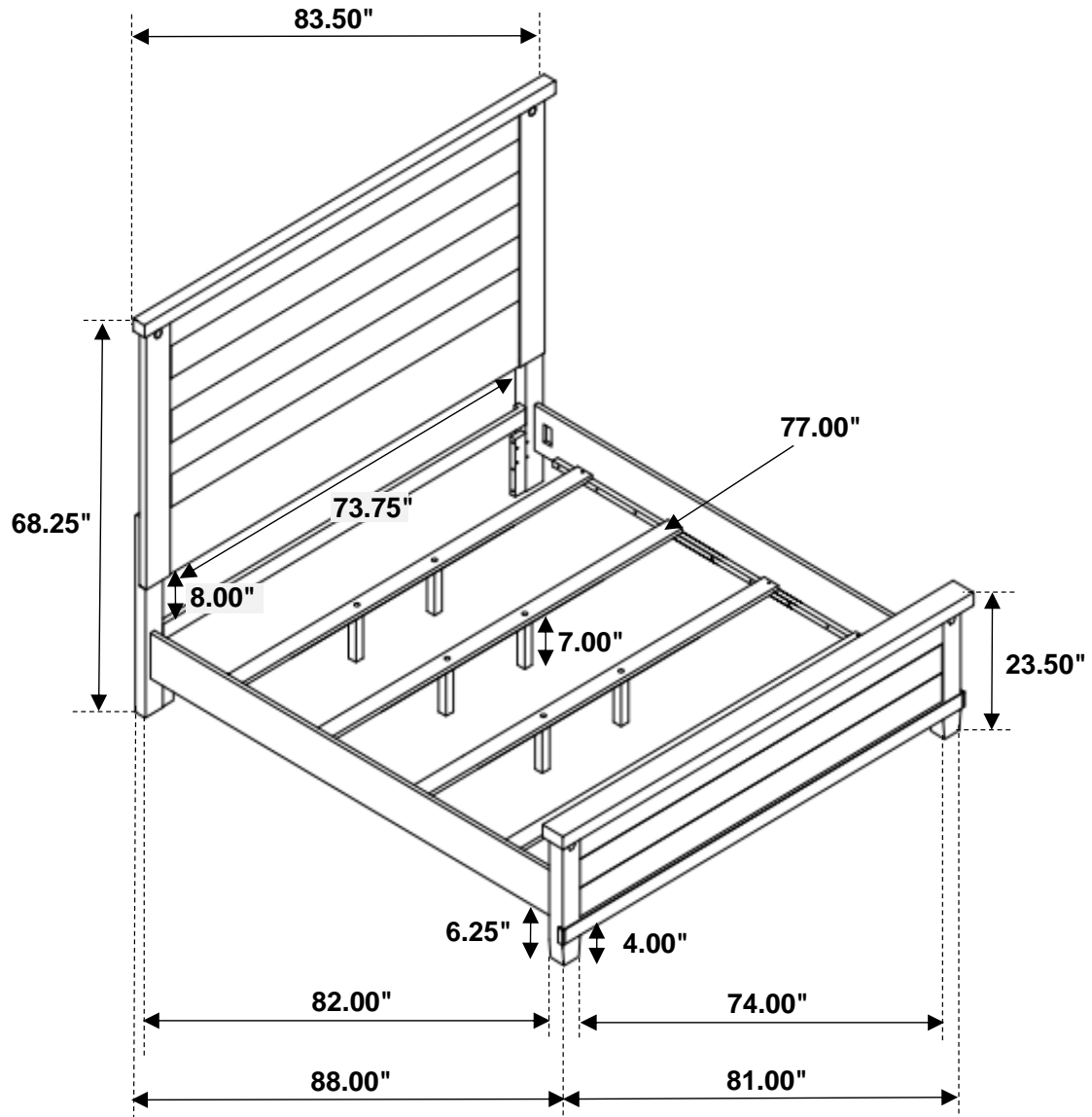
COMPLETE



ITEM: **224471KE(B1-B3)**



Inner size: 77.00"W x 82.00"D



Note: Dimension tolerance $\pm 5\%$