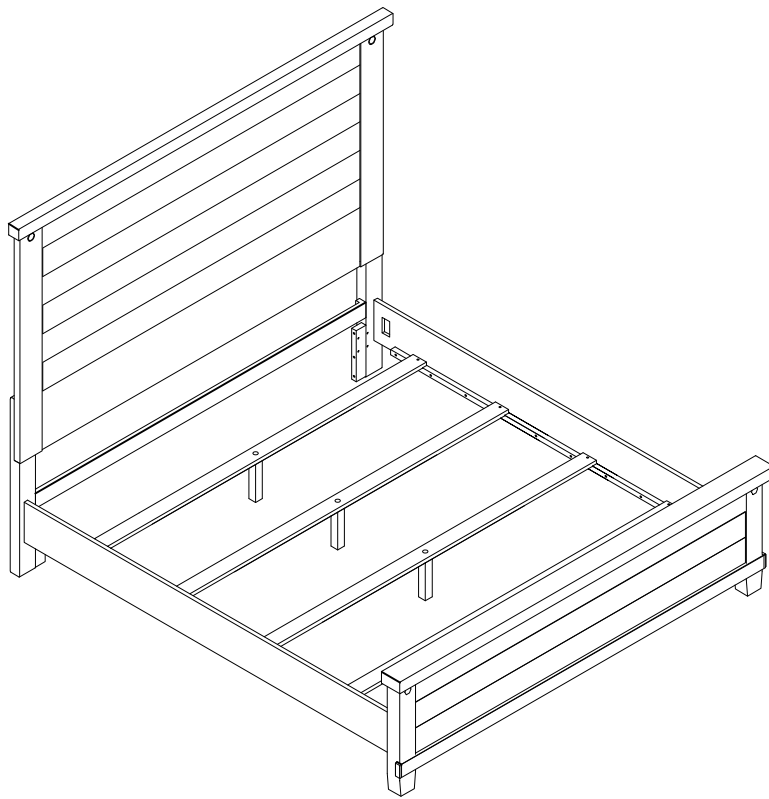




*ASSEMBLY INSTRUCTIONS*  
*COASTER FINE FURNITURE*



*Fine Furniture for every stage of life*

**224471Q(B1-B3)**  
***Queen Bed***

# ITEM: 224471Q(B1-B3)



## ASSEMBLY INSTRUCTIONS

### ASSEMBLY TIPS:

- 1.Remove hardware from box and sort by size.
- 2.Please check to see that all hardware and parts are present prior to start of assembly.
- 3.Please follow attached instruction in the same sequence as numbered to assure fast & easy assembly.



### WARNING!

- 1.Don't attempt to repair or modify parts that are broken or defective. Please contact the store immediately.
- 2.This product is for home use only and not intended for commercial establishments.



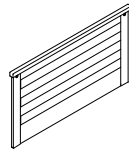
ASSEMBLY TIME

25 MINUTES

## PARTS IDENTIFICATION

### B1 (BOX 1)

A HEADBOARD PANEL



1PC

B HEADBOARD  
BOTTOM RAIL



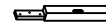
1PC

C RIGHT  
HEADBOARD LEG



1PC

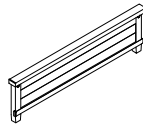
D LEFT  
HEADBOARD LEG



1PC

### B2 (BOX 2)

E FOOTBOARD



1PC

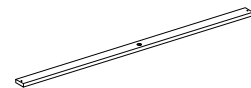
### B3 (BOX 3)

F BED RAIL



2PCS

G BED SLAT



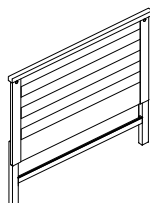
4PCS

H BED SLAT SUPPORT  
WITH LEVELER



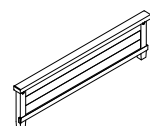
4PCS

HB 224471Q (B1)  
FROM BOX 1  
HEADBOARD  
COMPLETE



1PC

FB 224471Q (B2)  
FROM BOX 2  
FOOTBOARD



1PC

# ITEM: 224471Q(B1-B3)



## ASSEMBLY INSTRUCTIONS

### ASSEMBLY TIPS:

- 1.Remove hardware from box and sort by size.
- 2.Please check to see that all hardware and parts are present prior to start of assembly.
- 3.Please follow attached instruction in the same sequence as numbered to assure fast & easy assembly.







### WARNING!

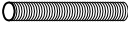





- 1.Don't attempt to repair or modify parts that are broken or defective. Please contact the store immediately.
- 2.This product is for home use only and not intended for commercial establishments.

## HARDWARE IDENTIFICATION

### Z-B1 (BOX 1) - HARDWARE PACK IS LOCATED IN 224471Q (B1)

1	<b>BOLT</b> (Ø5/16" x 50MM-RBW)		8PCS	3	<b>FLAT WASHER</b> (Ø5/16" x 19 x 2MM - RBW)		8PCS
2	<b>LOCK WASHER</b> (Ø5/16" x 14 x 2MM - RBW)		8PCS	4	<b>ALLEN WRENCH</b> (M4 x 58MM- RBW)		1PC

### Z-B3 (BOX 3) - HARDWARE PACK IS LOCATED IN 224471Q (B3)

5	<b>THREADED BOLT</b> (Ø5/16" x 90MM - RBW)		8PCS	8	<b>HEX NUT</b> (Ø5/16" x12 x 18MM - RBW)		8PCS
6	<b>LOCK WASHER</b> (Ø5/16" x 14 x 2MM - RBW)		8PCS	9	<b>WRENCH</b> (M12 x L90MM - RBW)		1PC
7	<b>FLAT WASHER</b> (Ø5/16" x 19 x 2MM - RBW)		8PCS	10	<b>FLAT HEAD SCREW</b> (Ø8" x 30MM - RBW)		8PCS

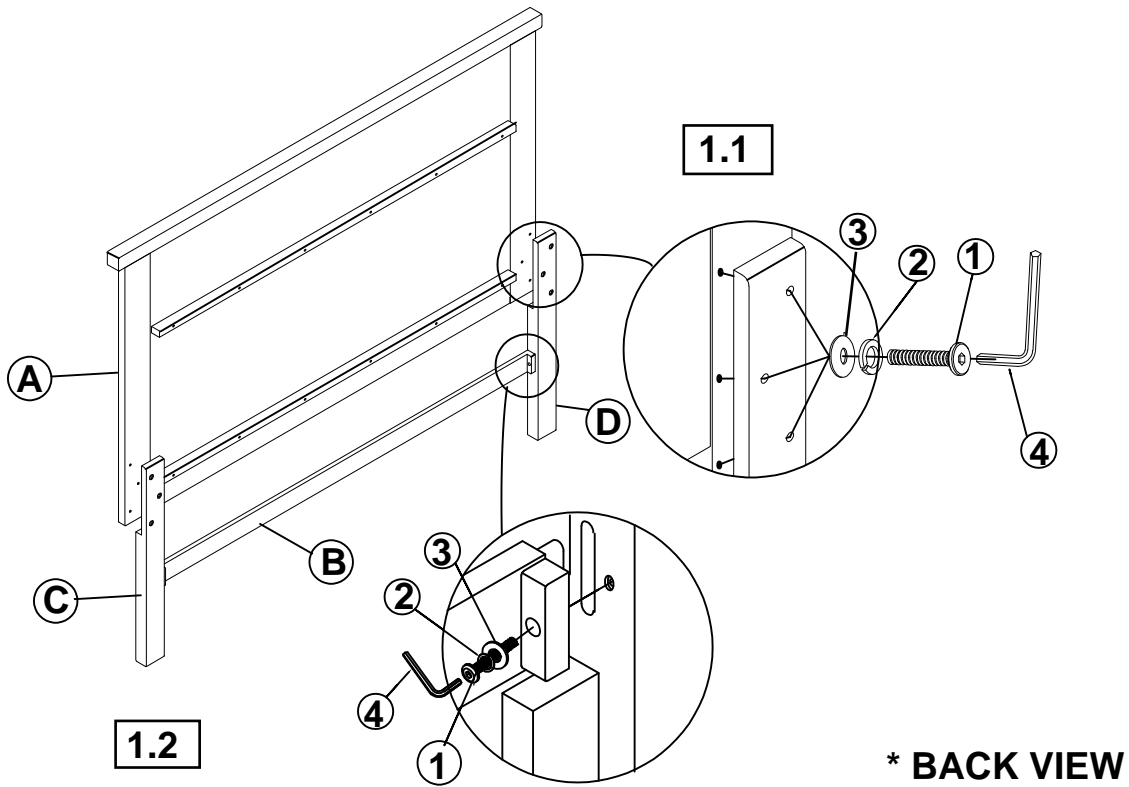
### NOTE:

Phillips head screw driver is required in the assembly process; however, manufacturer does not provide this item.

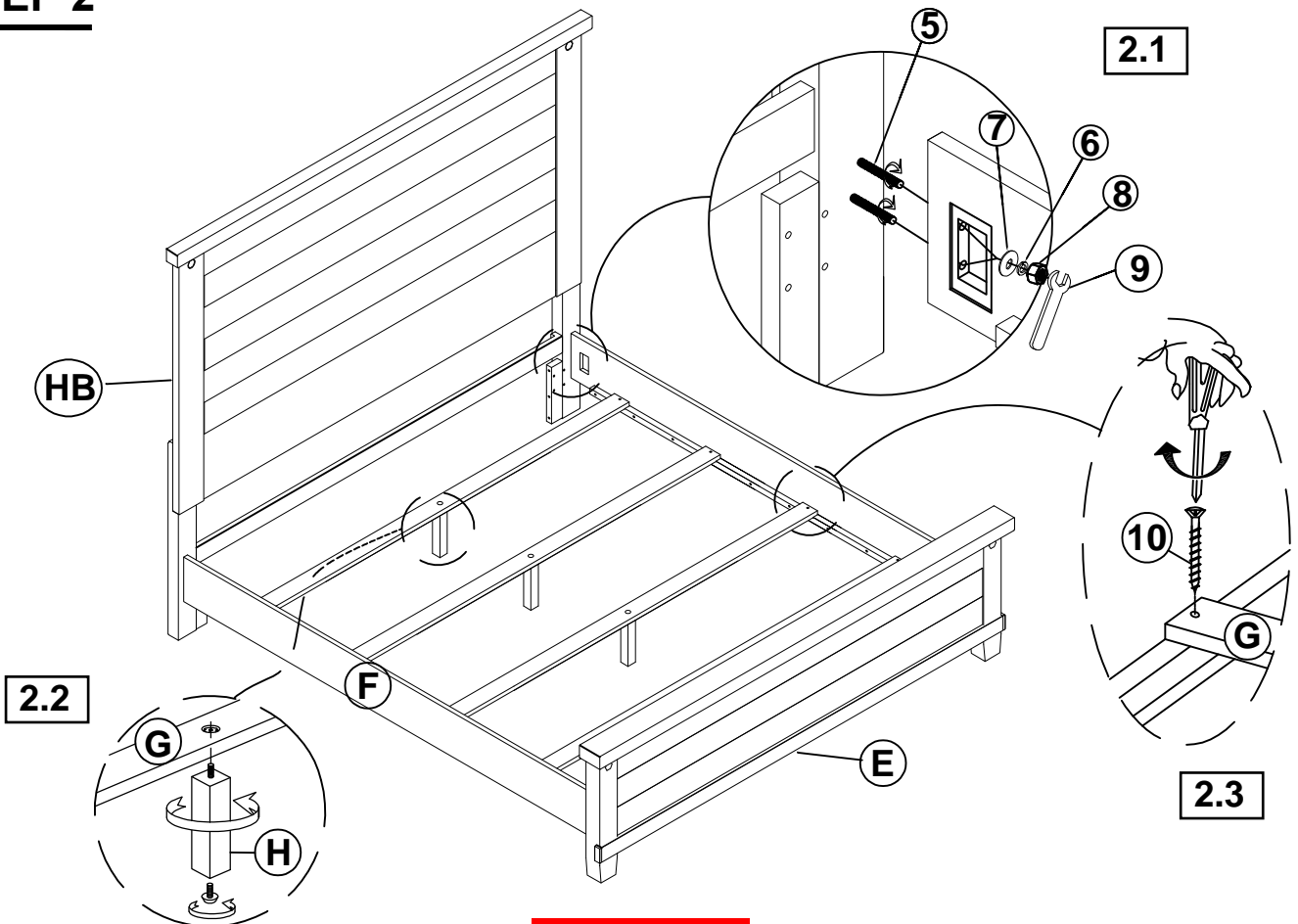
# ITEM: 224471Q(B1-B3)

## ASSEMBLY INSTRUCTIONS

### STEP 1



### STEP 2

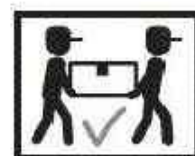
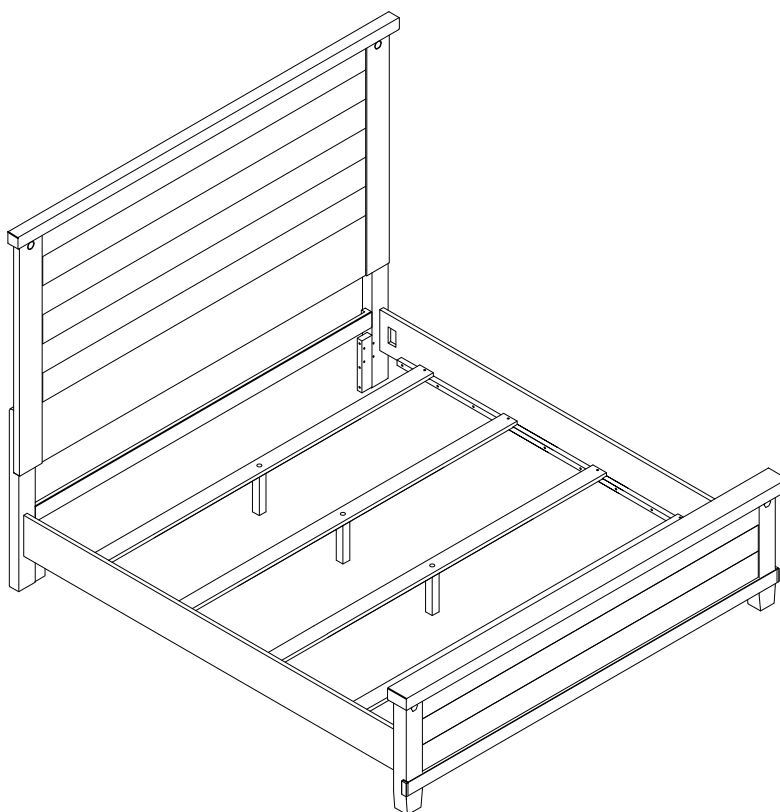


ITEM: **224471Q(B1-B3)**

ASSEMBLY INSTRUCTIONS

**STEP 3**

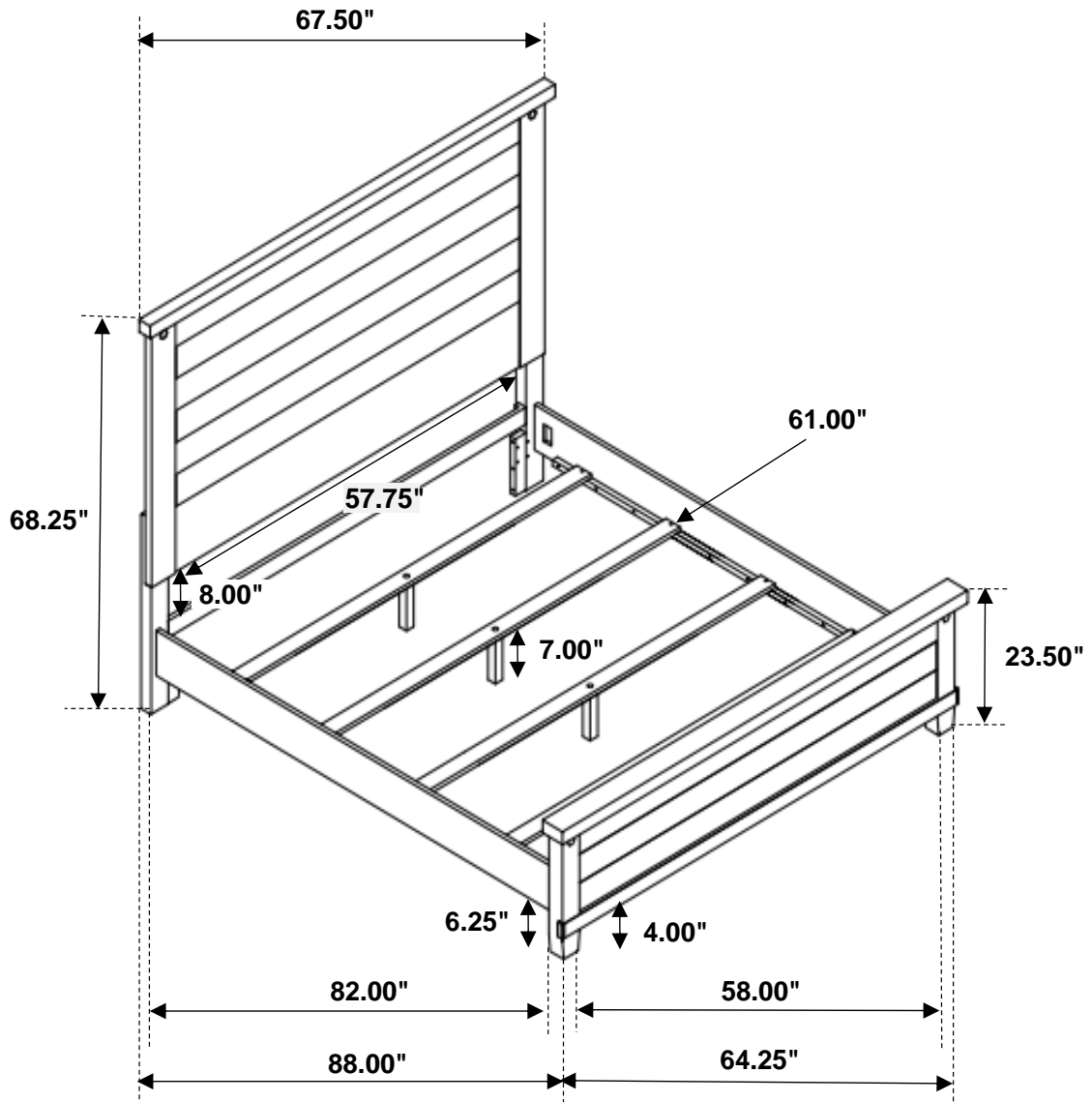
**COMPLETE**



ITEM: **224471Q(B1-B3)**



Inner size: 61.00"W x 82.00"D



Note: Dimension tolerance  $\pm 5\%$