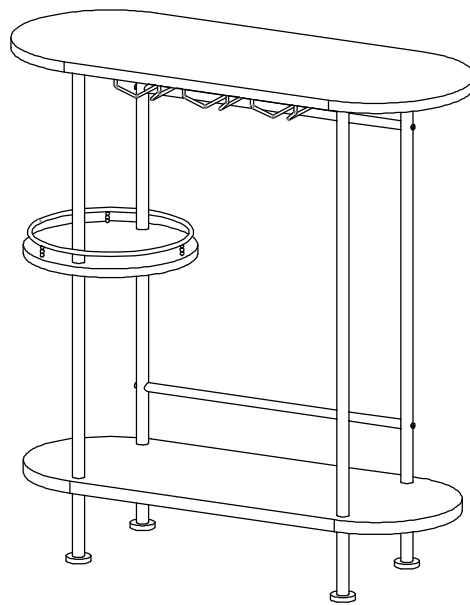


*ASSEMBLY INSTRUCTIONS*  
*COASTER FINE FURNITURE*



*Fine Furniture for every stage of life*

**182527**  
**BAR UNIT**

ITEM: 182527



# ASSEMBLY INSTRUCTIONS

## ASSEMBLY TIPS:

1. Remove hardware from box and sort by size.
2. Please check to see that all hardware and parts are present prior to start of assembly.
3. Please follow attached instructions in the same sequence as numbered to assure fast & easy assembly.



### WARNING!

1. Don't attempt to repair or modify parts that are broken or defective. Please contact the store immediately.
2. This product is for home use only and not intended for commercial establishments.



ASSEMBLY TIME 50 MINUTES

## PARTS IDENTIFICATION

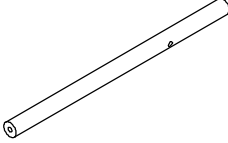
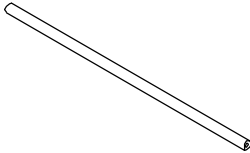
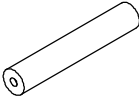
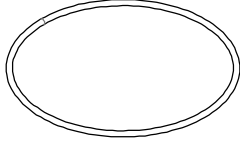
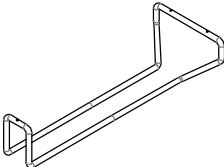
A	TOP PANEL		1PC
B	SHELF PANEL		1PC
C	BOTTOM PANEL		1PC
D	LARGE FRAME		1PC
E	SMALL FRAME		1PC
F	LONG FRONT LEG		1PC

ITEM:182527

# ASSEMBLY INSTRUCTIONS

## PARTS IDENTIFICATION












G	LONG BACK LEG		1PC
H	SUPPORT CROSSBAR		2PCS
I	SHORT LEG		4PCS
J	ROUND FRAME		1PC
K	GLASS HOLDER		3PCS

ITEM:182527

# ASSEMBLY INSTRUCTIONS

## HARDWARE IDENTIFICATION



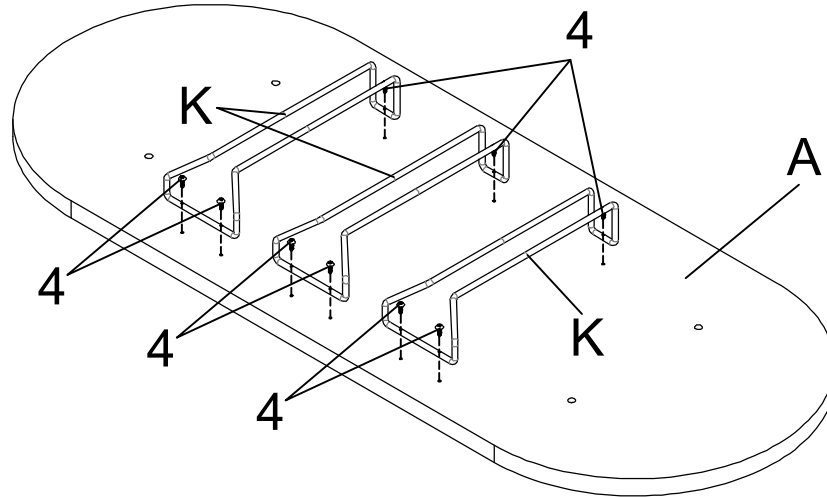
1	BOLT (1/4" x 32mm BLK)		4PCS
2	LONG BOLT (1/4" x 45mm BLK)		4PCS
3	CROSSBAR BOLT (1/4" x 57mm)		6PCS
4	GLASS HOLDER SCREW (7# x 15mm)		9PCS
5	ROUND FRAME BOLT (3/16" x 50mm )		3PCS
6	PLASTIC SPACER ( $\phi$ 12 x 30mm BLK)		3PCS
7	LEVELER (1/4" x 25mm BLK)		4PCS
8	WASHER ( $\phi$ 32mm)		4PCS
9	ALLEN WRENCH (4mm)		1PC

ITEM: 182527

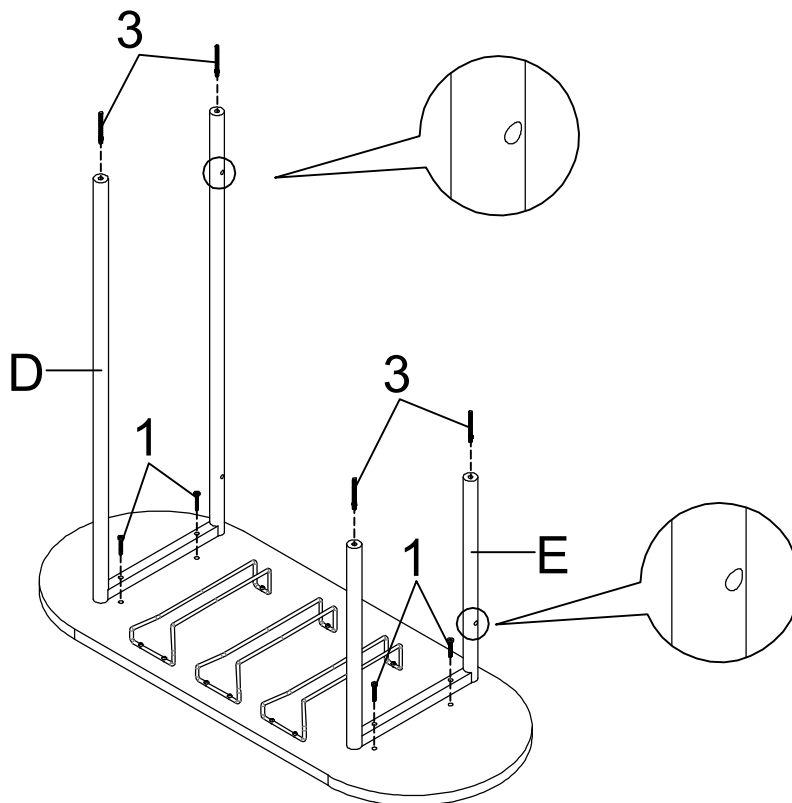


# ASSEMBLY INSTRUCTIONS

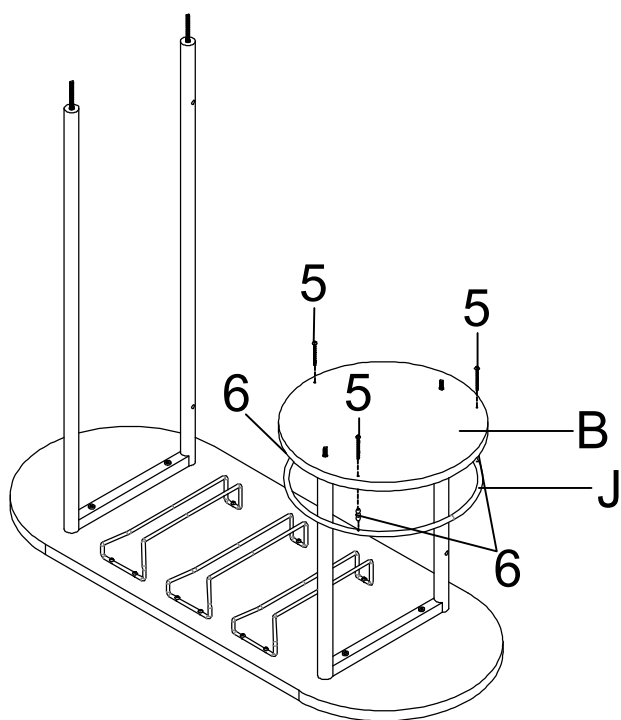
**STEP 1** Do not tighten until each step is completed or instructed.



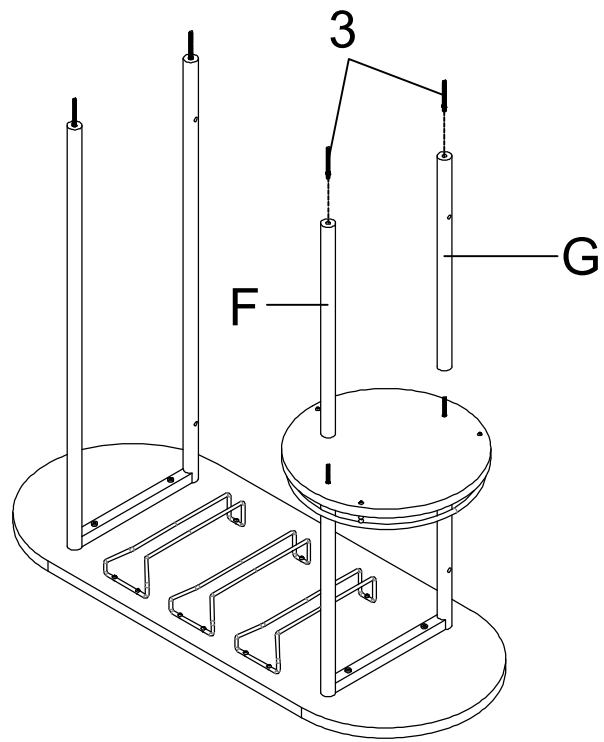
## STEP 2



ITEM: 182527  
ASSEMBLY INSTRUCTIONS  
STEP 3



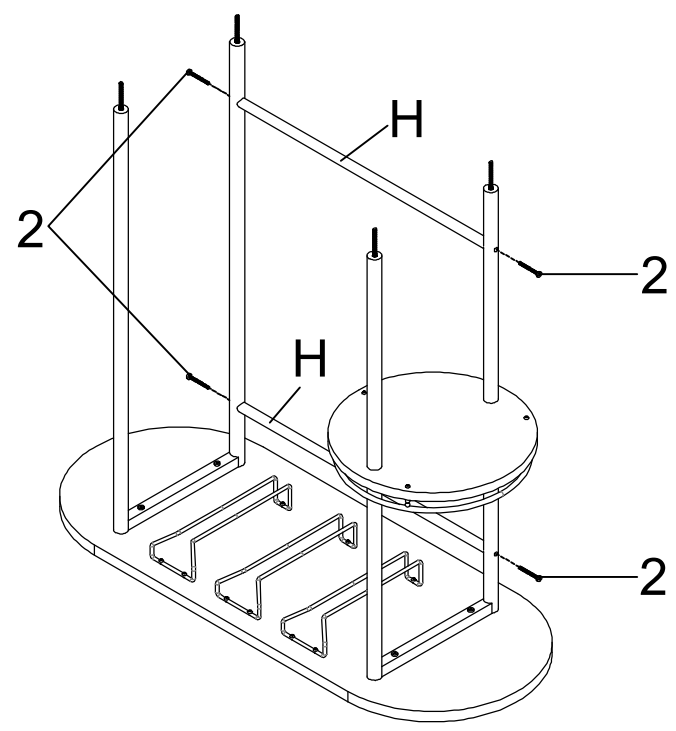
STEP 4



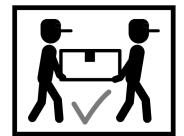
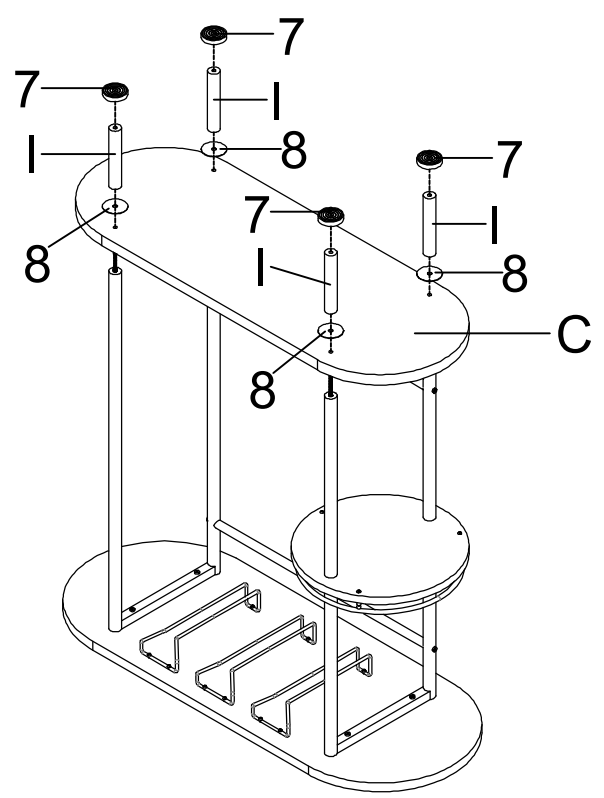
ITEM: 182527  
ASSEMBLY INSTRUCTIONS



STEP 5



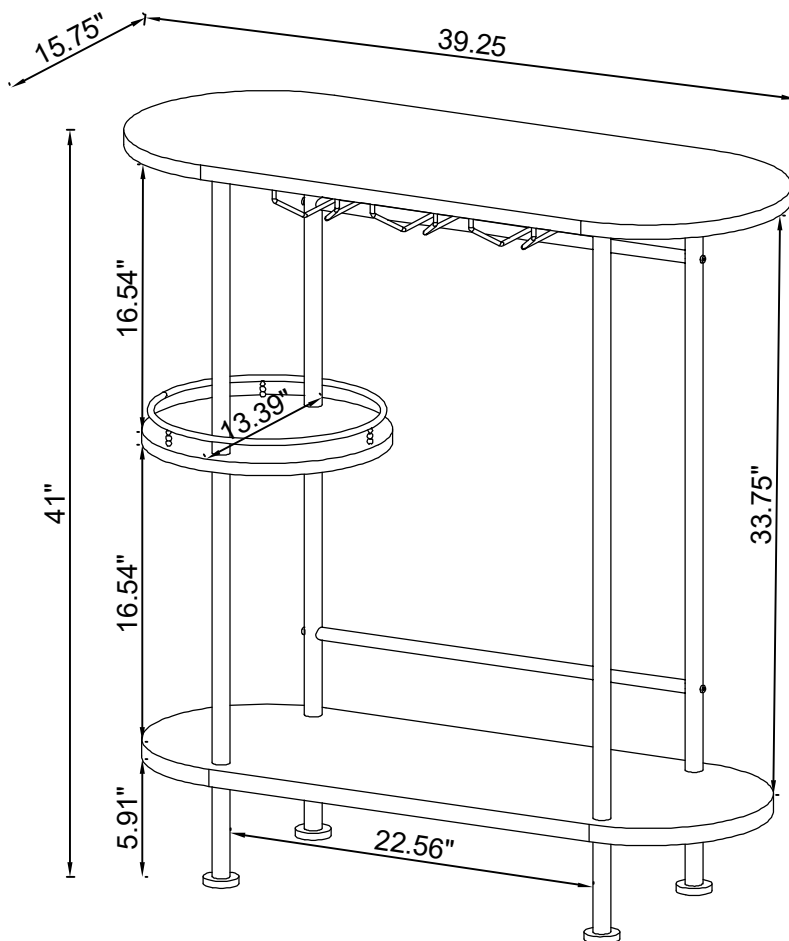
STEP 6



# ITEM:182527 ASSEMBLY INSTRUCTIONS



<b>Product Size : 997 X 400 X 1041 H (MM)</b>
<b>Product Size : 39 <math>\frac{1}{4}</math>" X 15 <math>\frac{3}{4}</math>" X 41"</b>



Note : Dimension tolerance  $\pm 5\%$