



ASSEMBLY INSTRUCTIONS COASTER FINE FURNITURE



Fine Furniture for every stage of life

REVISION: 0 11/08/2019
REVISION: 1 03/10/2020
REVISION: 2 09/20/2022
REVISION: 3 10/05/2023

PAGE 1 OF 5

508857
Sectional
COASTERFURNITURE.COM

ITEM: **508857**



ASSEMBLY INSTRUCTIONS

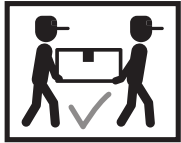
ASSEMBLY TIPS:

1. Remove hardware from box and sort by size.
2. Please check to see that all hardware and parts are present prior to start of assembly.
3. Please follow attached instructions in the same sequence as numbered to assure fast & easy assembly.



WARNING!

1. Don't attempt to repair or modify parts that are broken or defective. Please contact the store immediately.
2. This product is for home use only and not intended for commercial establishments.







ASSEMBLY TIME

3 MINUTES

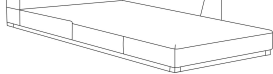



PARTS IDENTIFICATION





B1(BOX1)

- A SOFA BASE  1PC
- C SOFA BACK CUSHION  2PCS
- E SOFA MIDDLE LEG  2PCS



- B SOFA SEAT CUSHION  2PCS
- D SOFA LEG  4PCS

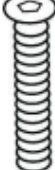
B2(BOX2)

- F CHAISE BASE  1PC
- H SEAT CUSHION  1PC
- K CHAISE SMALL BACK CUSHION  1PCS
- M CHAISE LEG  4PCS

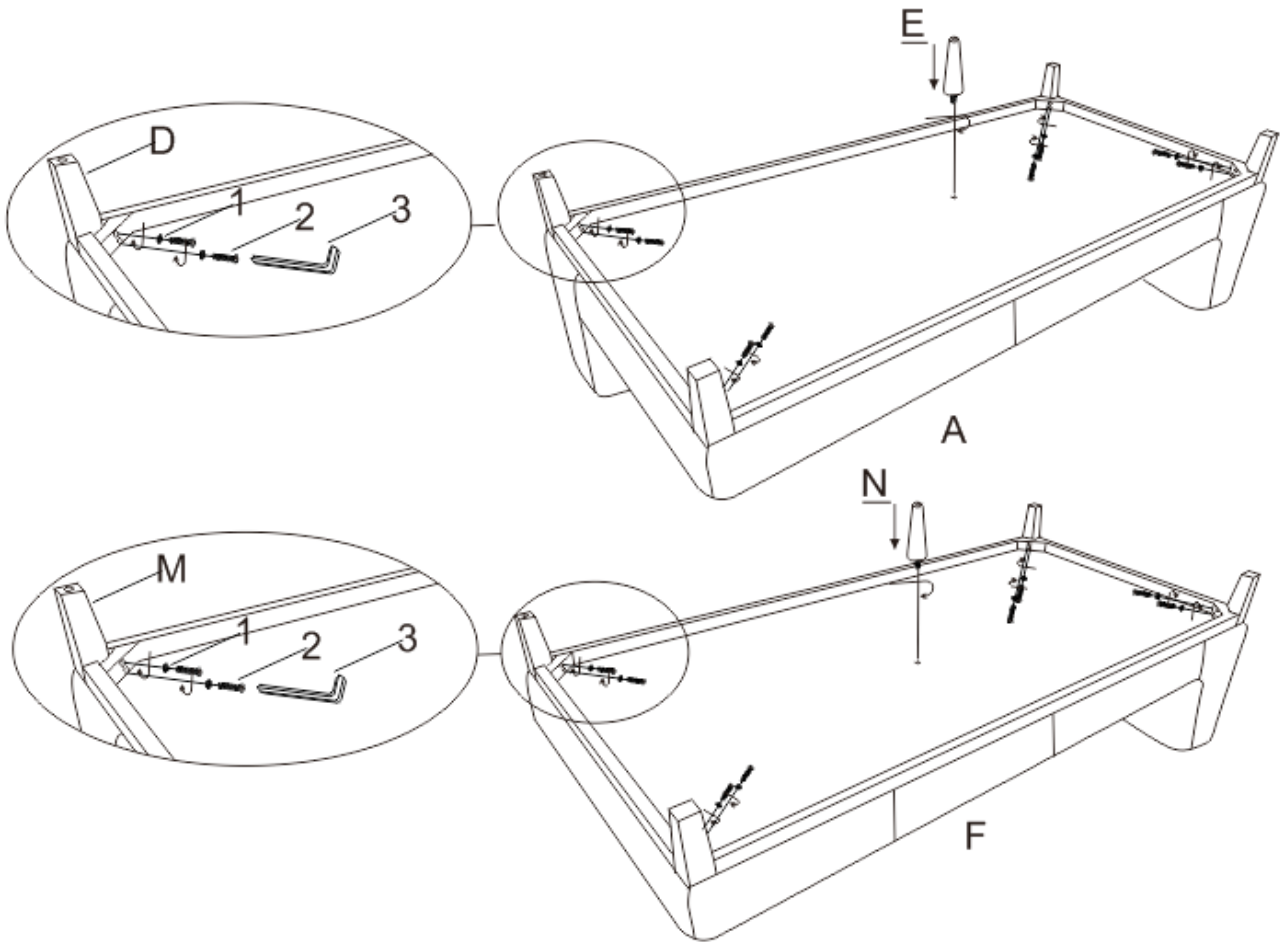
- G CHAISE LARGE SEAT CUSHION  1PC
- J CHAISE LARGE BACK CUSHION  1PC
- L PILLOW  2PCS
- N CHAISE MIDDLE LEG  2PCS

Z HAREWARE IDENTIFICATION

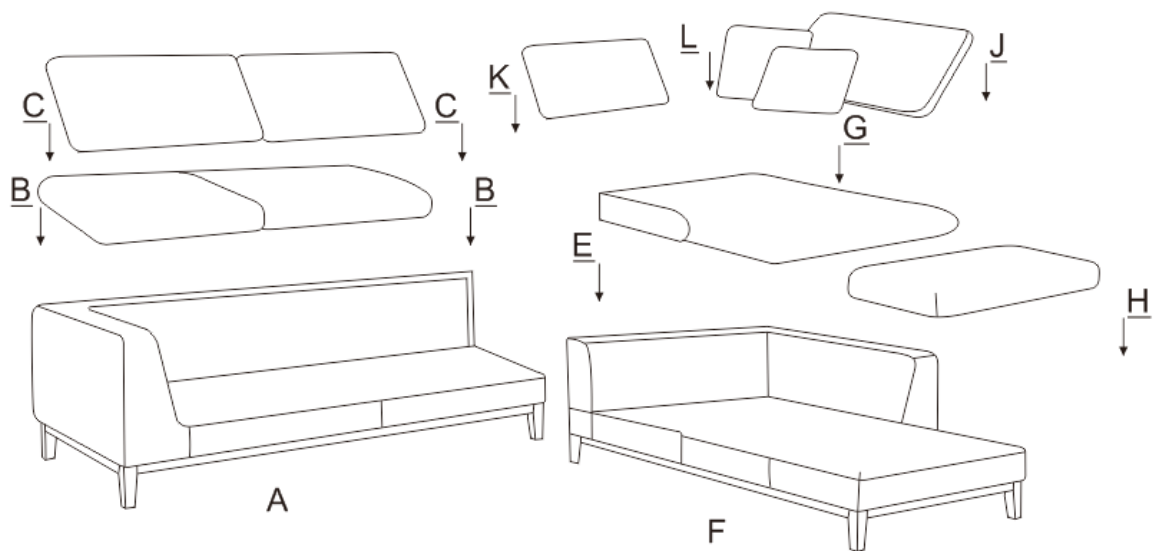
- 1 WASHER  $\phi 0.8\text{cm}$ 16PCS
- 3 WRENCH  $\phi 0.8\text{cm}$ 2PCS

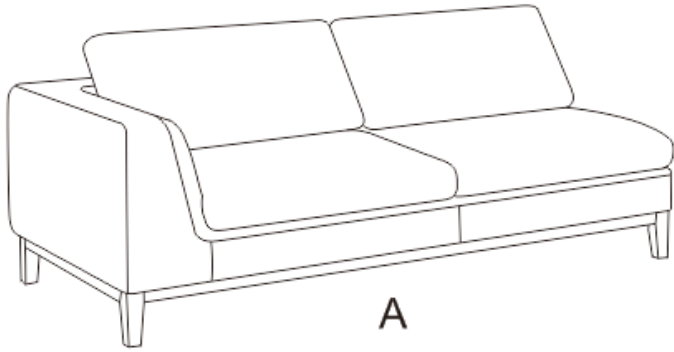
- 2 BOLT  0.8X60cm 16PCS

STEP 1

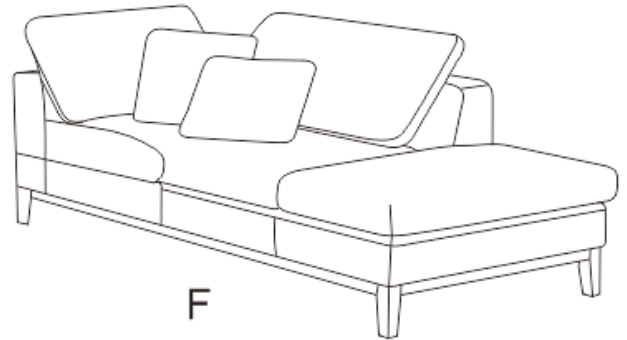


STEP 2

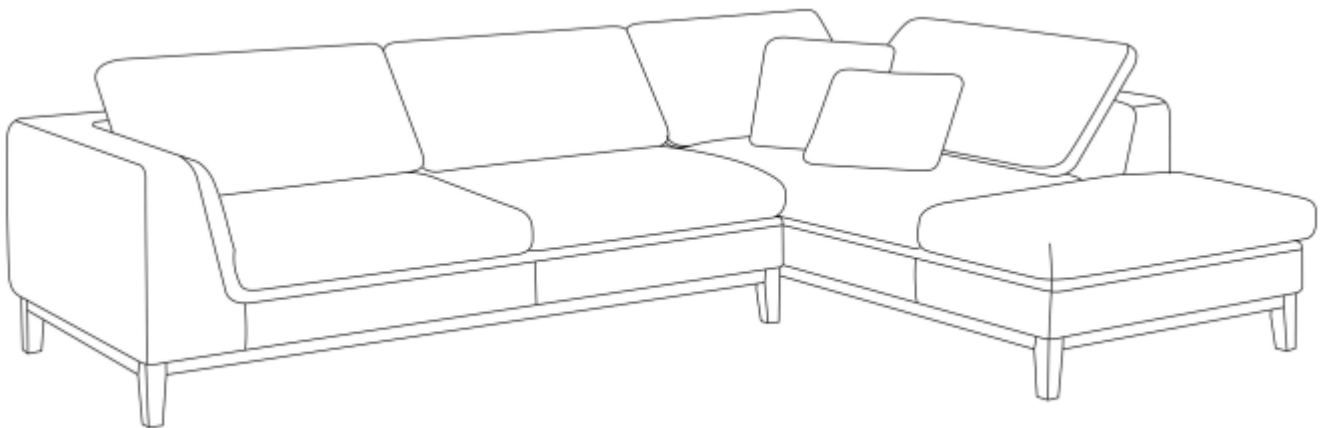


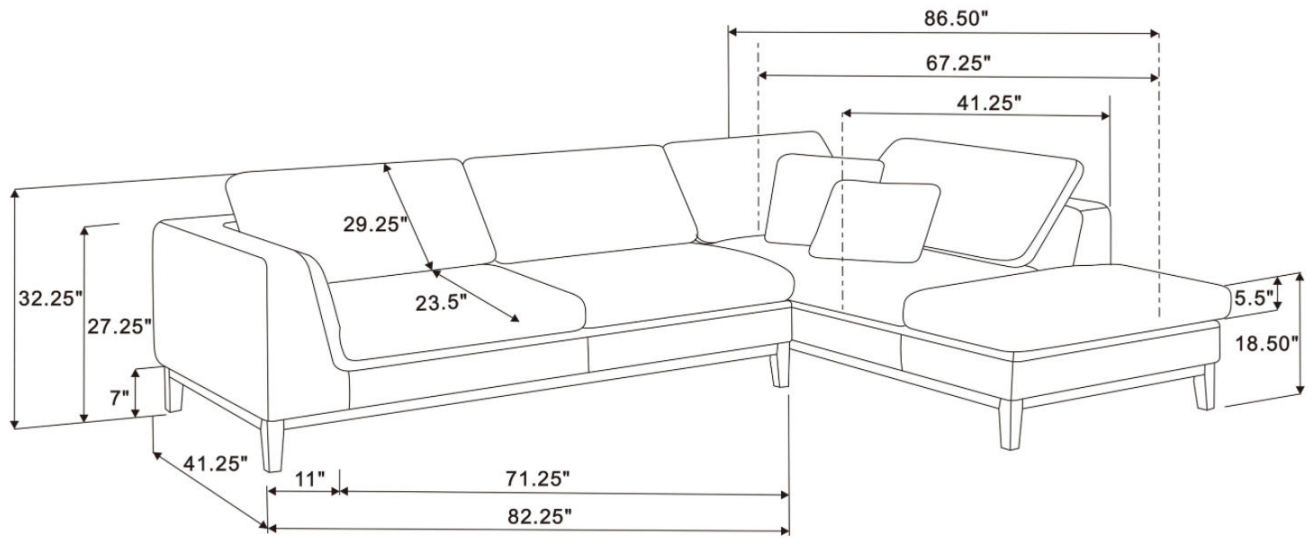


A



F





Note: Dimension tolerance $\pm 5\%$