



ASSEMBLY INSTRUCTIONS COASTER FINE FURNITURE



Fine Furniture for every stage of life

REVISION: 0 11/8/2019
REVISION: 1 3/10/2020
REVISION: 2 9/20/2022
REVISION: 3 10/05/2023

PAGE 1 OF 5

508888
Sectional
COASTERFURNITURE.COM

ITEM: **508888**



ASSEMBLY INSTRUCTIONS

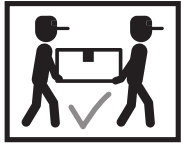
ASSEMBLY TIPS:

1. Remove hardware from box and sort by size.
2. Please check to see that all hardware and parts are present prior to start of assembly.
3. Please follow attached instructions in the same sequence as numbered to assure fast & easy assembly.



WARNING!

1. Don't attempt to repair or modify parts that are broken or defective. Please contact the store immediately.
2. This product is for home use only and not intended for commercial establishments.



ASSEMBLY TIME

3 MINUTES

PARTS IDENTIFICATION

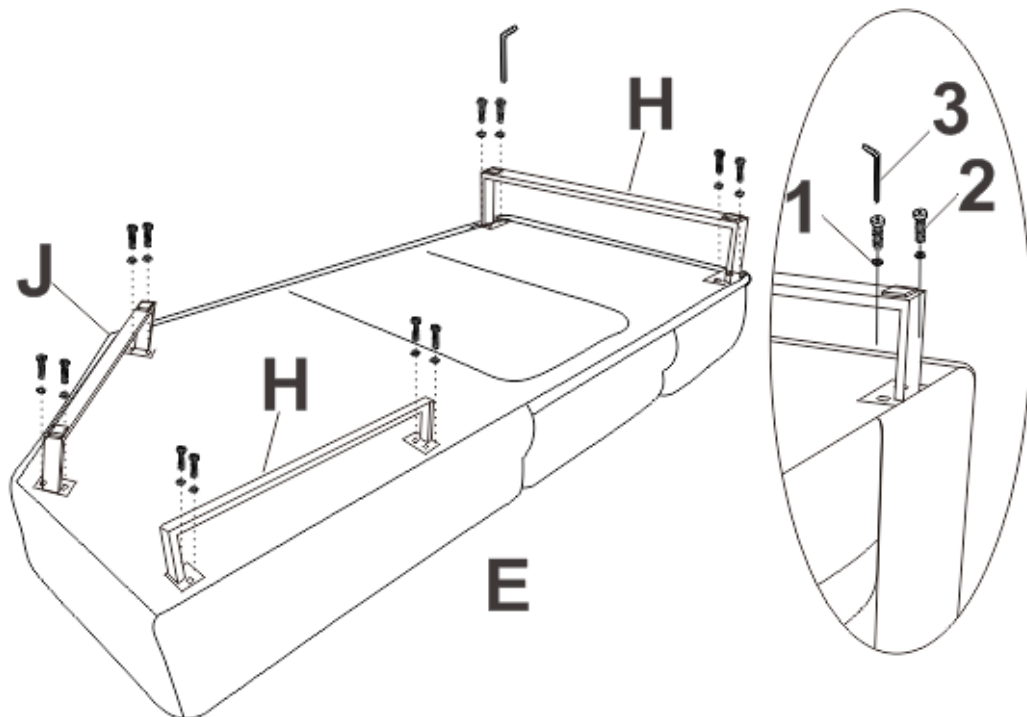
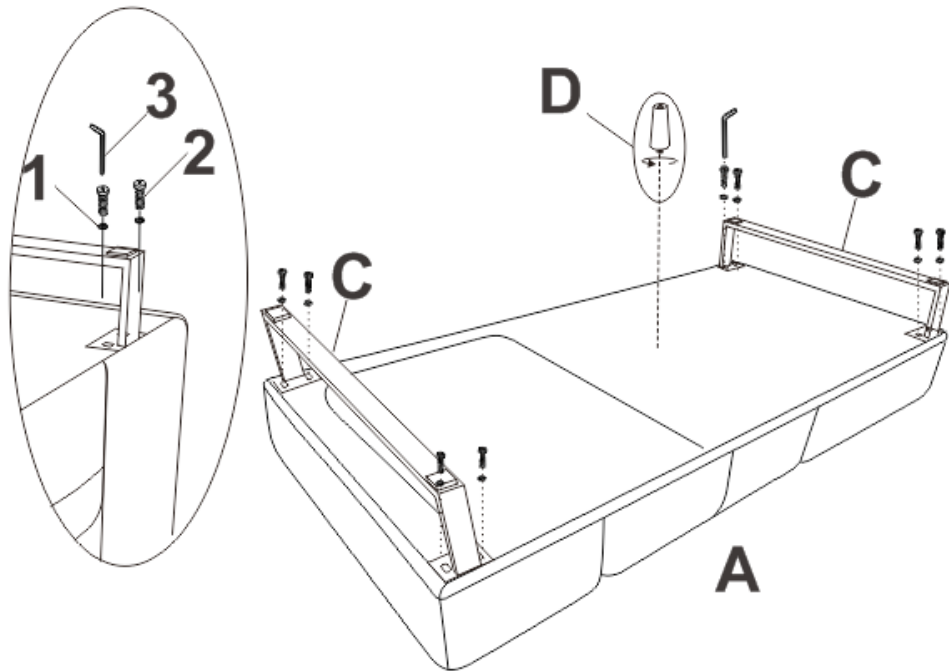
B1(BOX1)

A SOFA BASE		1PC	B SOFA BACK CUSHION		2PCS
C SOFA LARGE LEG FRAME		2PCS	D MIDDLE LEG		1PC
B2(BOX2)					
E CHAISE BASE		1PC	F LARGE BACK CUSHION		1PC
G SMALL BACK CUSHION		1PC	H CHAISE LARGE LEG FRAME		2PCS
J SMALL LEG FRAME		1PC			

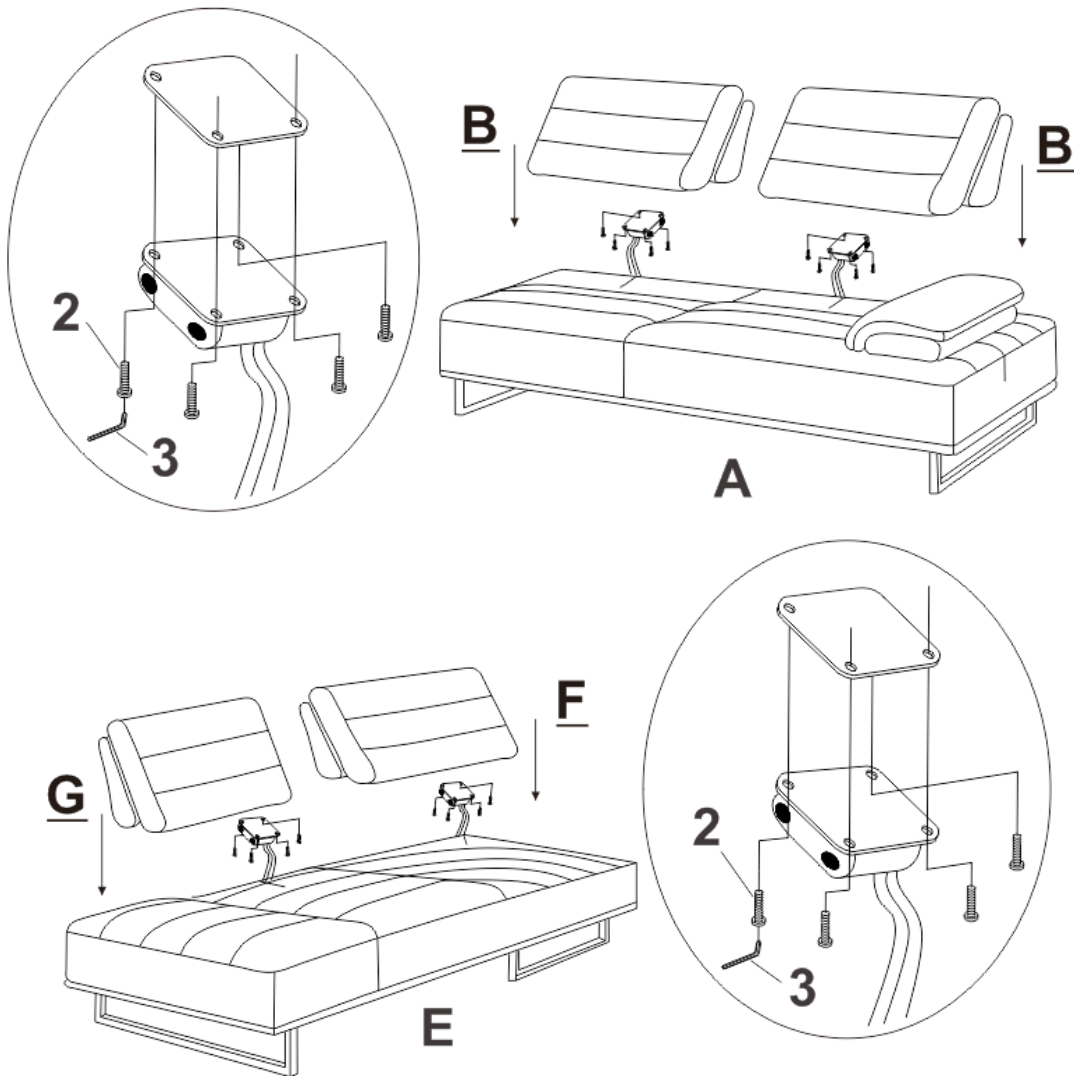
Z HARDWARE IDENTIFICATION

1 WASHER	 φ0.6cm	20PCS	2 BOLT	 0.6X30cm	36PCS
3 WRENCH	 φ0.6cm	4PCS			

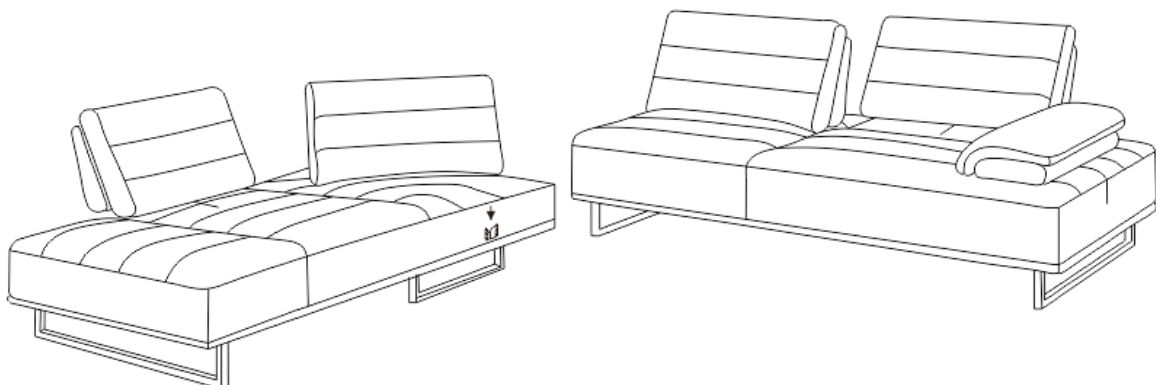
STEP 1

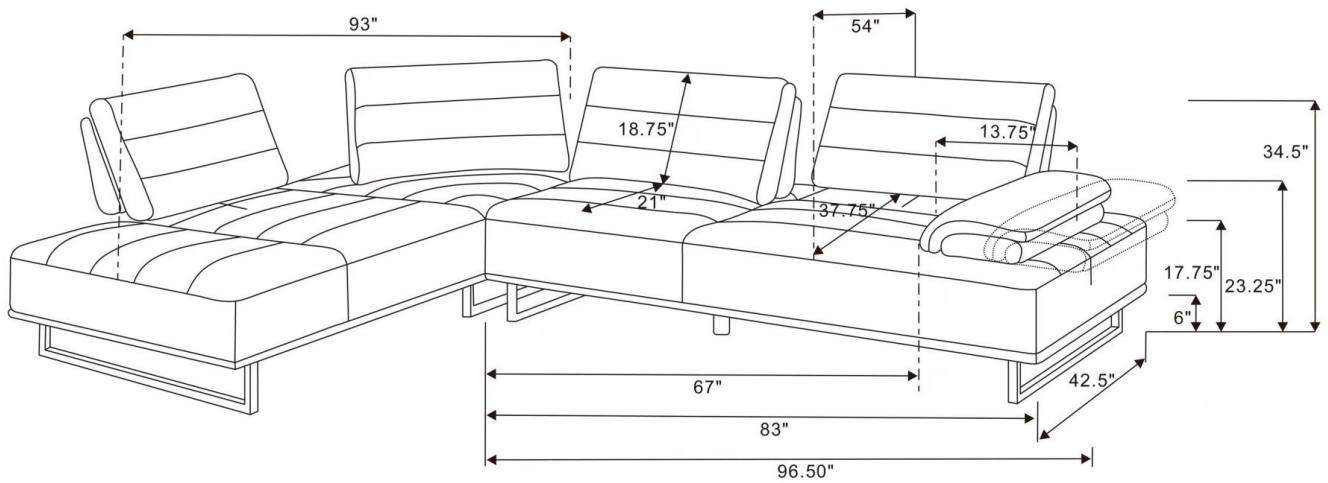


STEP 2



STEP 3





Note: Dimension tolerance $\pm 5\%$