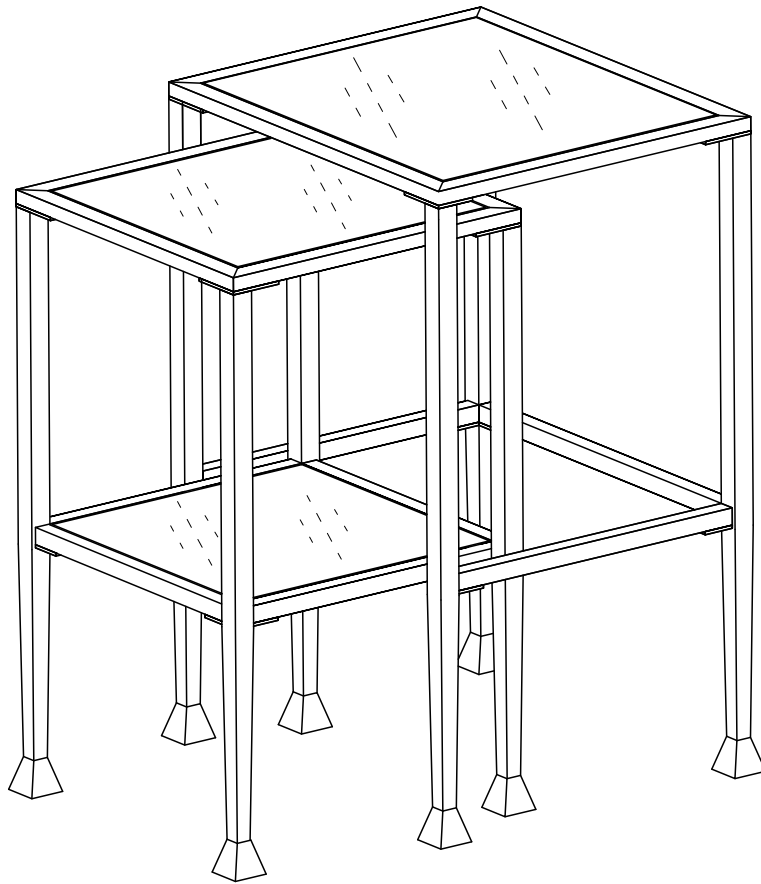


ASSEMBLY INSTRUCTIONS
COASTER FINE FURNITURE



Fine Furniture for every stage of life

901073
Nesting Table

ITEM: **901073**



ASSEMBLY INSTRUCTIONS

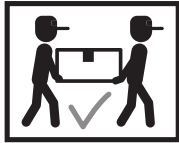
ASSEMBLY TIPS:

1. Remove hardware from box and sort by size.
2. Please check to see that all hardware and parts are present prior to start of assembly.
3. Please follow attached instructions in the same sequence as numbered to assure fast & easy assembly.



WARNING!

1. Don't attempt to repair or modify parts that are broken or defective. Please contact the store immediately.
2. This product is for home use only and not intended for commercial establishments.



ASSEMBLY TIME

30 MINUTES

PARTS IDENTIFICATION

SMALL TABLE PARTS LIST:

A SMALL TABLE TOP FRAME 1PC 

B SMALL TABLE SHELF FRAME 1PC 

C SMALL TABLE LEG 4PCS 

D SMALL TABLE GLASS 2PCS 

LARGE TABLE PARTS LIST:

E LARGE TABLE TOP FRAME 1PC 

F LARGE TABLE FRONT LEFT LEG 1PC 

G LARGE TABLE FRONT RIGHT LEG 1PC 

H LARGE TABLE BACK LEG 2PCS 

I LARGE TABLE BACK STRETCHER 1PC 

J LARGE TABLE SIDE STRETCHER 2PCS 

K LARGE TABLE GLASS 1PC 



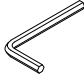
NOTE:

Phillips head screw driver is required in the assembly process; however, manufacturer does not provide this item.

ITEM: **901073**



HARDWARE IDENTIFICATION

1	LONG BOLT (Φ 1/4"x1/2")		30PCS
2	SUCTION CUP		12PCS
3	ALLEN WRENCH (4mm)		1PC

NOTE:

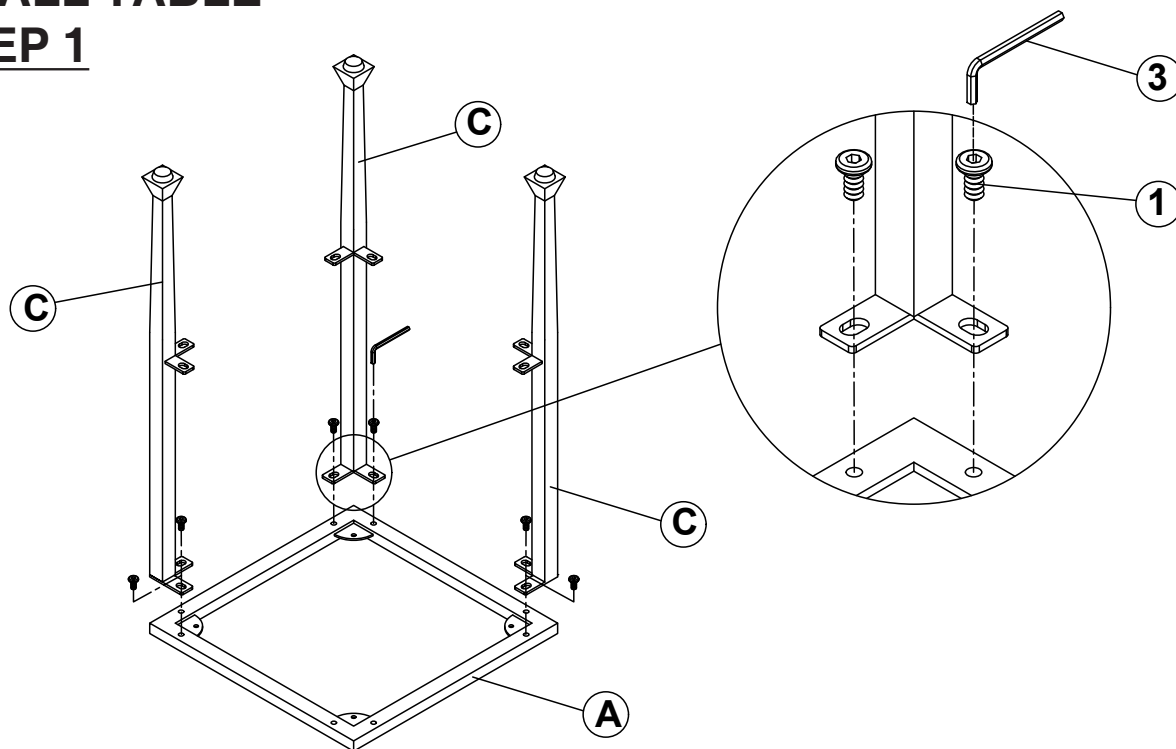
Phillips head screw driver is required in the assembly process; however, manufacturer does not provide this item.

ITEM: **901073**

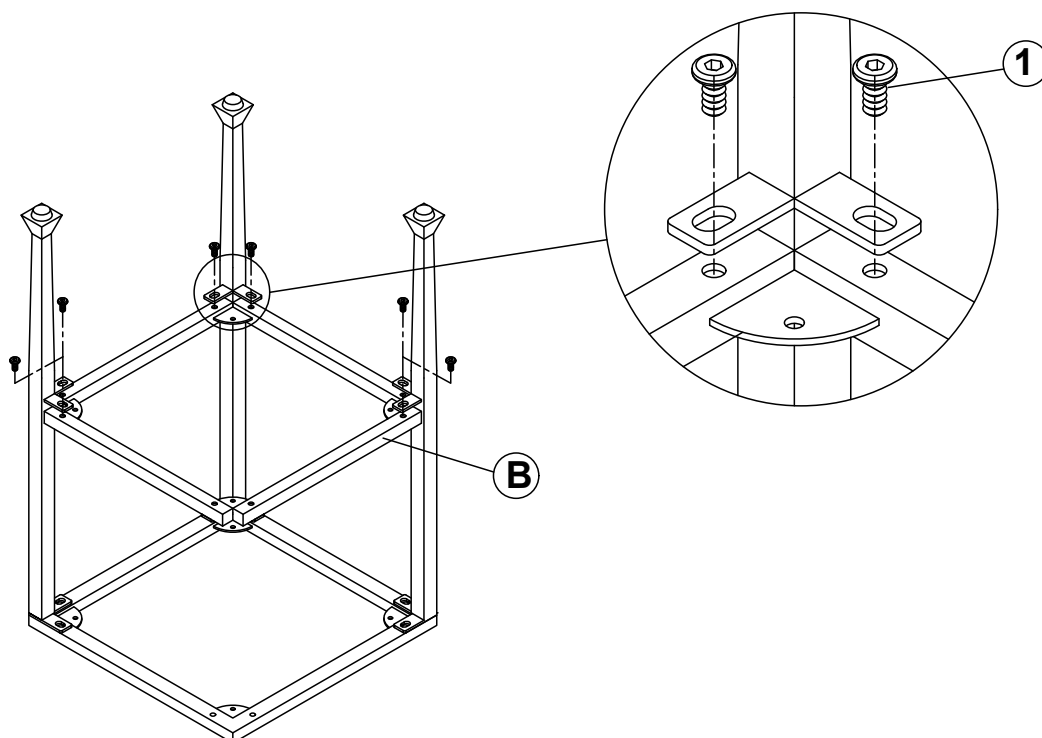
ASSEMBLY INSTRUCTIONS

SMALL TABLE

STEP 1



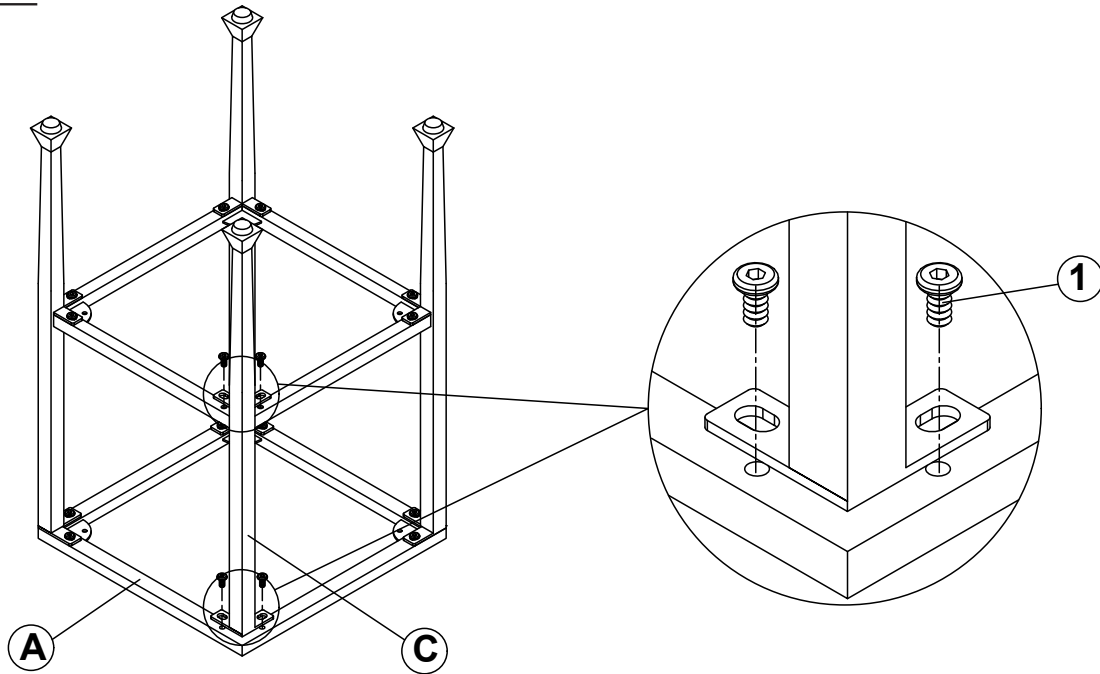
STEP 2



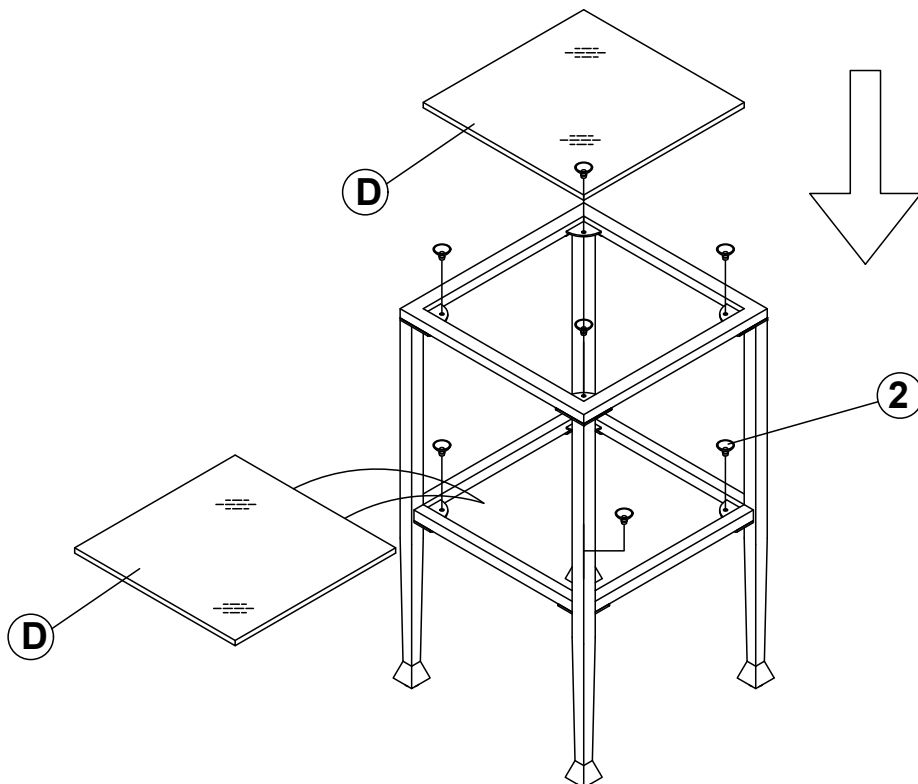
ITEM: **901073**

ASSEMBLY INSTRUCTIONS

STEP 3



STEP 4

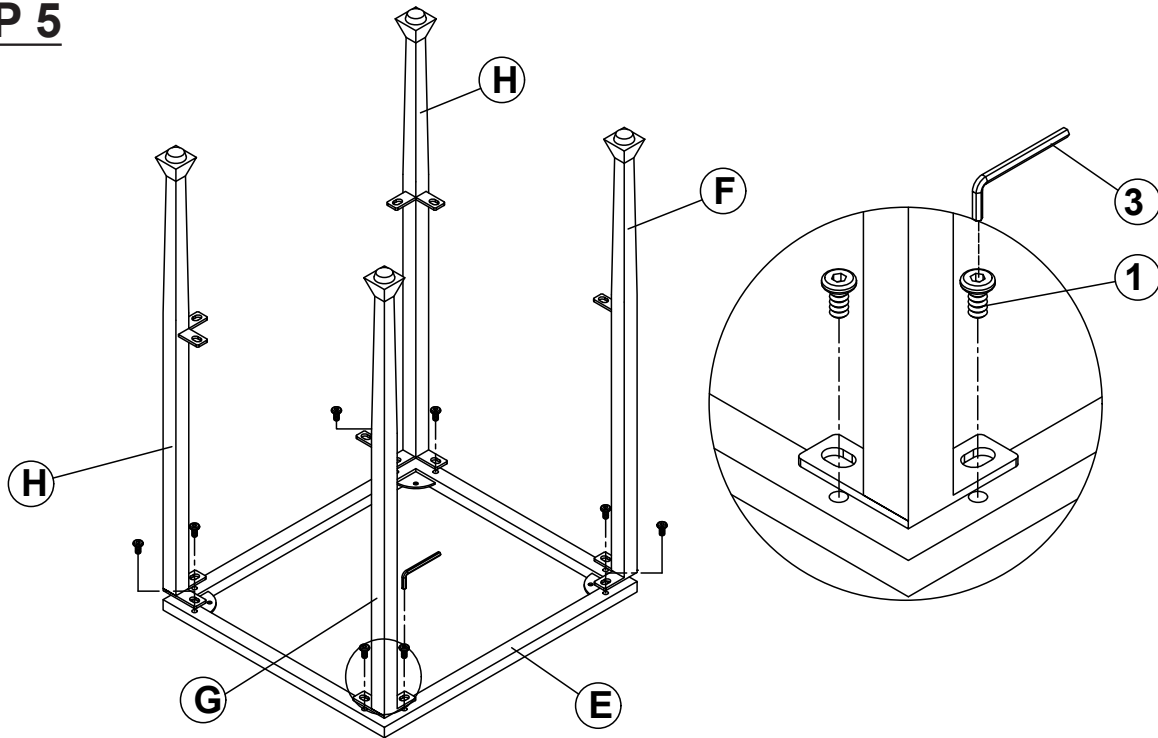


ITEM: **901073**

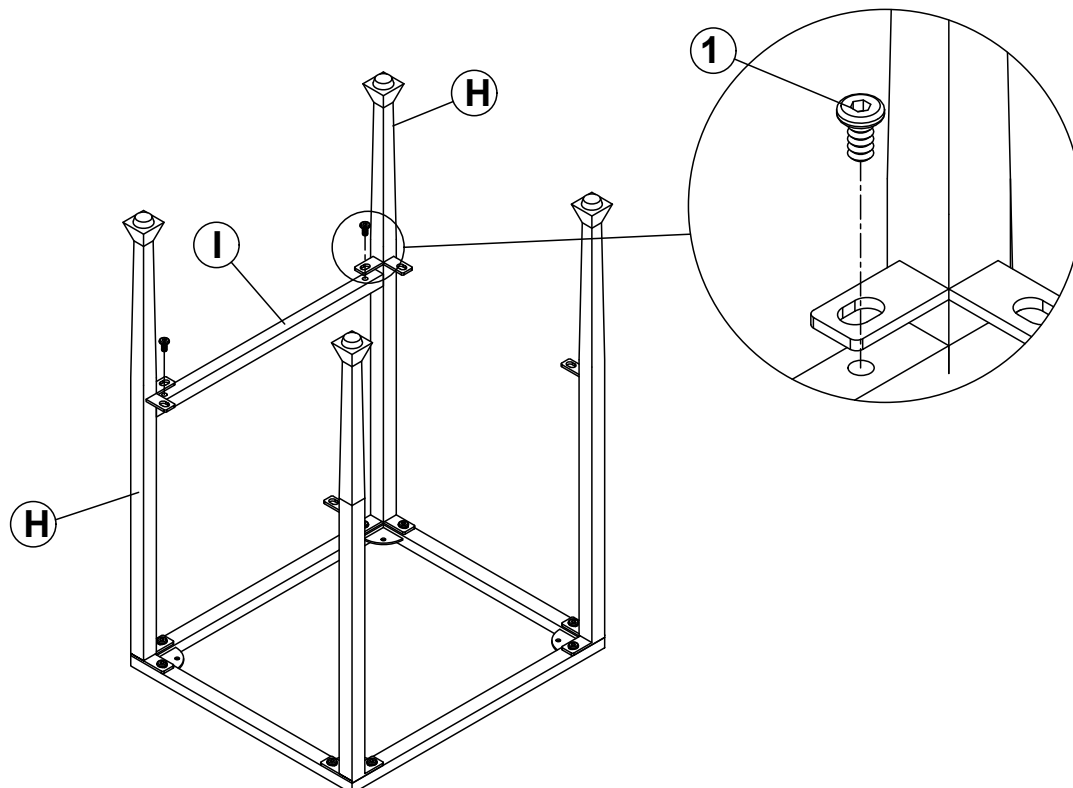
ASSEMBLY INSTRUCTIONS

LARGE TABLE

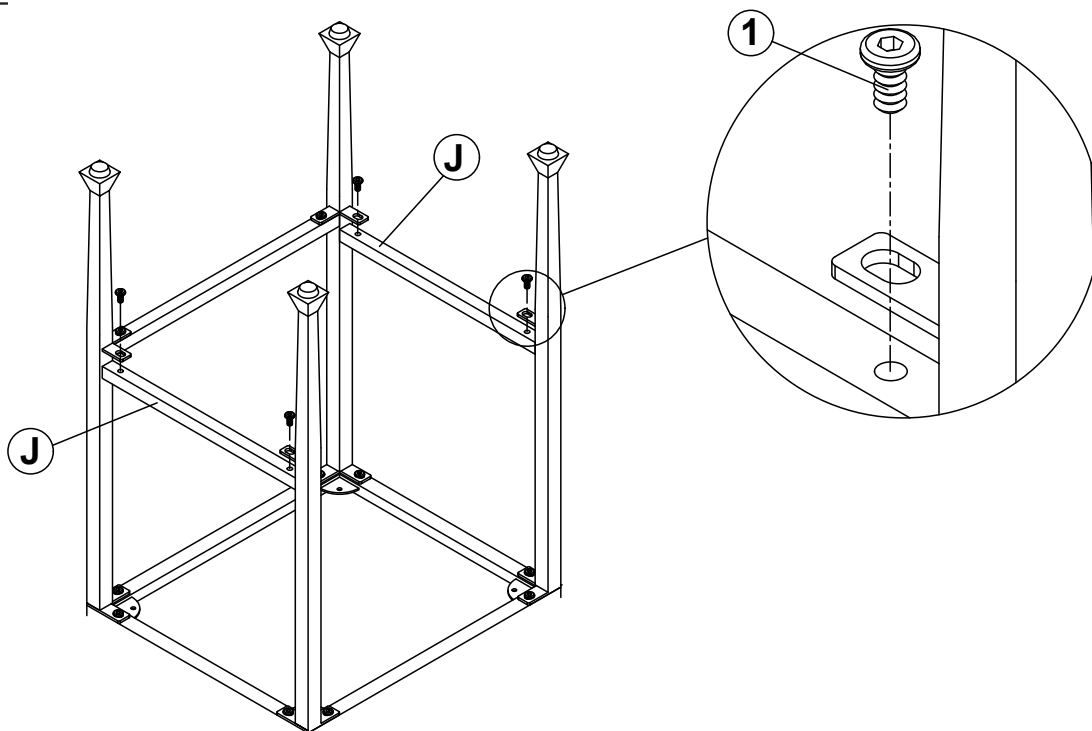
STEP 5



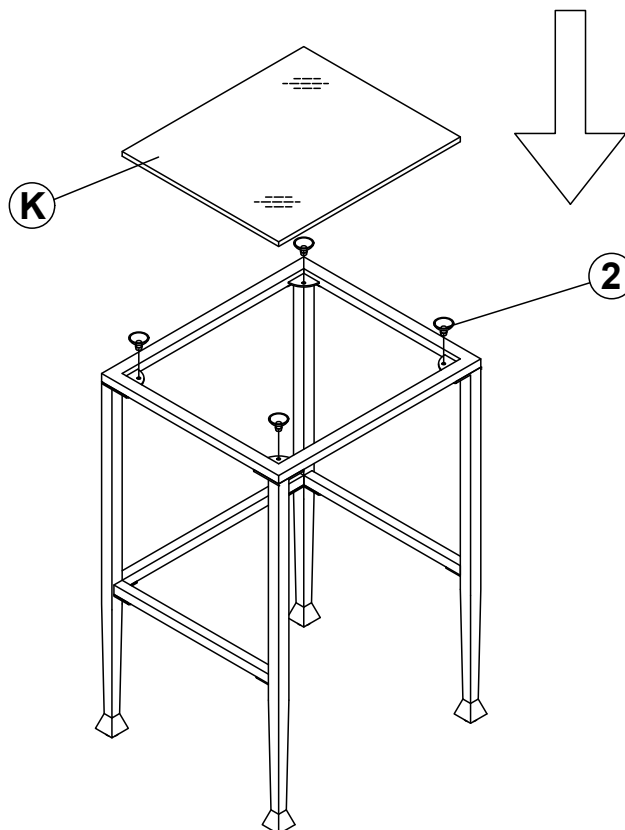
STEP 6



ITEM: **901073**
ASSEMBLY INSTRUCTIONS
STEP 7



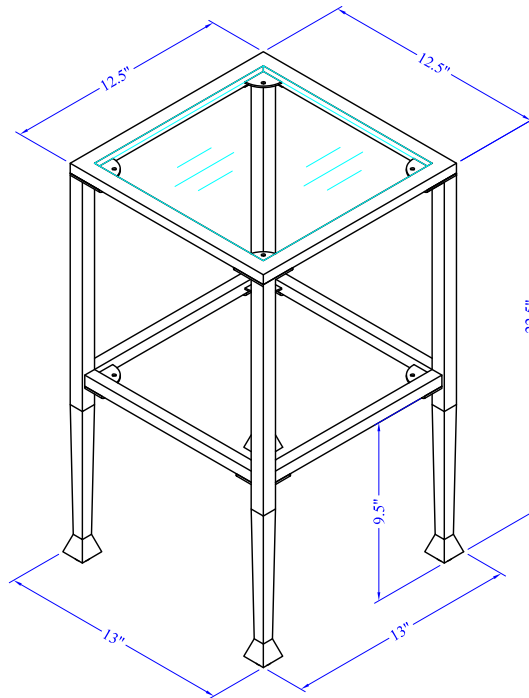
STEP 8



ITEM: 901073

Product size: 330LX330WX571H(MM)

Product size: 13"X13"X22-1/2"



Product size: 406LX355WX610H(MM)

Product size: 16"X14"X24"

