

ASSEMBLY INSTRUCTIONS
COASTER FINE FURNITURE



Fine Furniture for every stage of life

935923
VANITY

REVISION 0 : 01/31/2023
REVISION 1 : 10/11/2023

ITEM:935923



ASSEMBLY INSTRUCTIONS

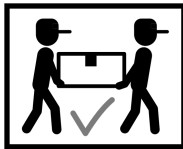
ASSEMBLY TIPS:

1. Remove hardware from box and sort by size.
2. Please check to see that all hardware and parts are present prior to start of assembly.
3. Please follow attached instructions in the same sequence as numbered to assure fast & easy assembly.



WARNING!

1. Don't attempt to repair or modify parts that are broken or defective. Please contact the store immediately.
2. This product is for home use only and not intended for commercial establishments.

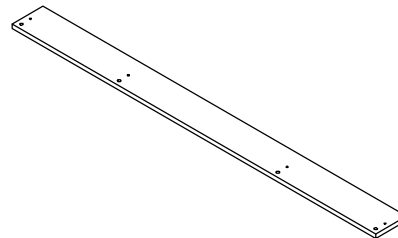


ASSEMBLY TIME 75 MINUTES

PARTS IDENTIFICATION

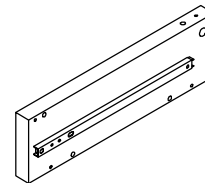
B2: VANITY BASE & GLASS

A TOP PANEL



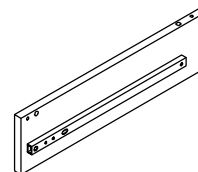
1PC

B LEFT PANEL



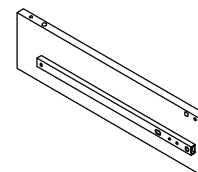
1PC

C LEFT MIDDLE PANEL



1PC

D RIGHT MIDDLE PANEL



1PC

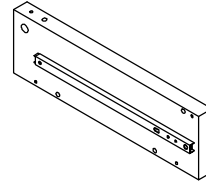
ITEM:935923



ASSEMBLY INSTRUCTIONS

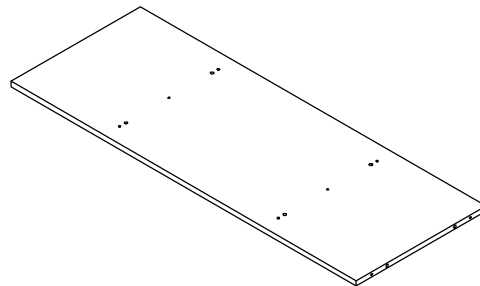
PARTS IDENTIFICATION

E RIGHT PANEL



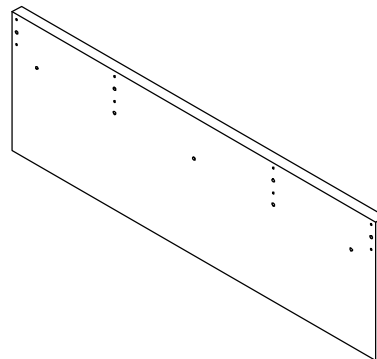
1PC

F BOTTOM PANEL



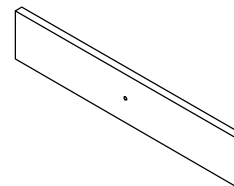
1PC

G BACK PANEL



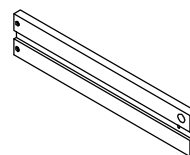
1PC

H LARGE DRAWER FRONT PANEL



1PC

I DRAWER LEFT PANEL



3PCS

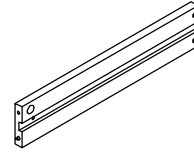
ITEM:935923



ASSEMBLY INSTRUCTIONS

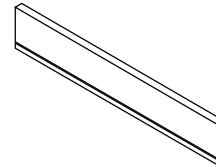
PARTS IDENTIFICATION

J DRAWER RIGHT PANEL



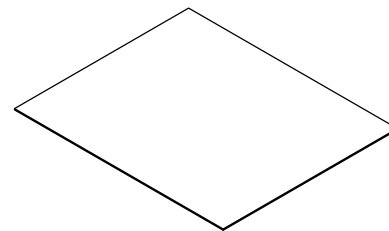
3PCS

K LARGE DRAWER BACK PANEL



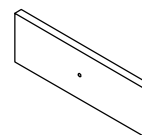
1PC

L LARGE DRAWER BOTTOM PANEL



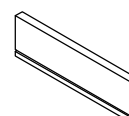
1PC

M SMALL DRAWER FRONT PANEL



2PCS

N SMALL DRAWER BACK PANEL



2PCS

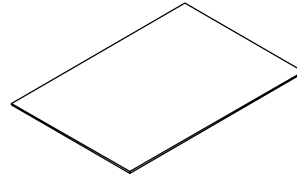
ITEM:935923



ASSEMBLY INSTRUCTIONS

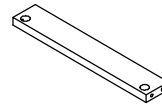
PARTS IDENTIFICATION

O SMALL DRAWER BOTTOM PANEL



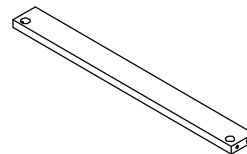
2PCS

P SHORT FRONT SUPPORT PANEL



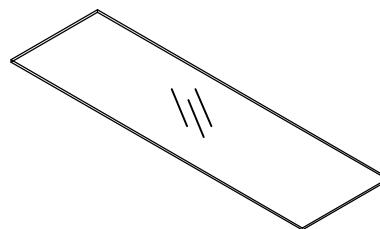
2PCS

Q LONG FRONT SUPPORT PANEL



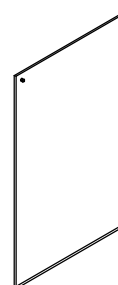
1PC

R TOP GLASS



1PC

S SIDE GLASS



2PCS

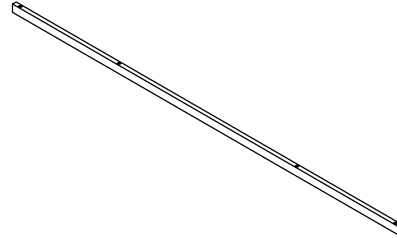
ITEM:935923



ASSEMBLY INSTRUCTIONS

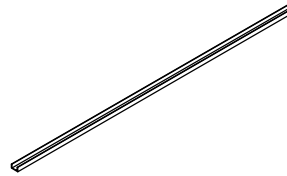
PARTS IDENTIFICATION

T SUPPORT CROSSBAR



1PC

U PLASTIC BAR



2PCS

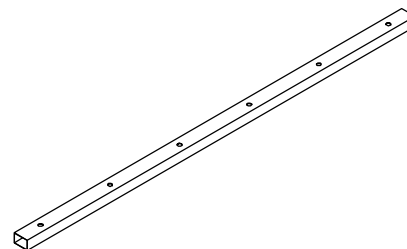
V HANDLE



3PCS

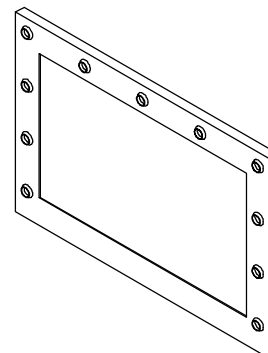
B1: VANITY TOP

A1 CROSSBAR



2PCS

A2 MAKE-UP MIRROR



1PC

ITEM:935923



ASSEMBLY INSTRUCTIONS

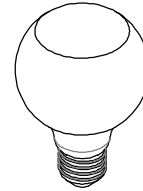
PARTS IDENTIFICATION

B3: 11PCS LIGHT BULB

A3

LIGHT BULB

TYPE G / E26 CLEAR LIGHT BULB / 4 WATT.























11PCS

ITEM:935923

ASSEMBLY INSTRUCTIONS



HARDWARE IDENTIFICATION

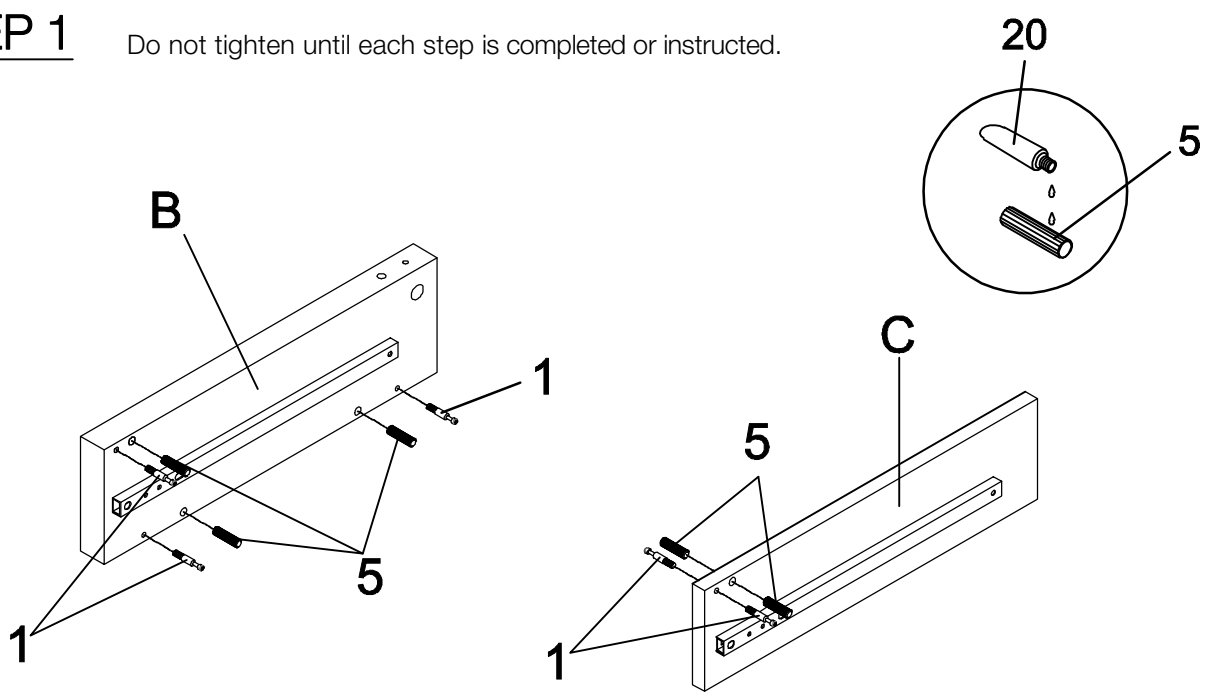
1	CAM BOLT (33MM)		20PCS	12	CAP (13 x 26mm)		4PCS
2	ALLEN WRENCH (4mm)		1PC	13	SUCTION CUP		8PCS
3	LARGE CAM-LOCK (ϕ 15MM)		14PCS	14	LARGE BOLT (1/4" x 25mm SR)		12PCS
4	SMALL CAM-LOCK (ϕ 12mm)		6PCS	15	SMALL BOLT (1/4" x 25mm SR)		8PCS
5	LARGE WOOD DOWEL (8 x 30mm)		27PCS	16	WASHER (ϕ 16mm)		8PCS
6	SMALL WOOD DOWEL (6 x 25mm)		6PCS	17	PLASTIC WASHER (ϕ 15mm)		8PCS
7	SHORT WOOD SCREW (8 x 25mm)		12PCS	18	COVER		8PCS
8	MEDIUM WOOD SCREW (8 X 38mm)		4PCS	19	SHORT SCREW (4 x 28mm)		4PCS
9	LONG WOOD SCREW (8 x 45mm)		8PCS	20	GLUE		1PC
10	SMALL BOLT (5/32" x10mm)		6PCS				
11	HANDLE BOLT (5/32" x22mm)		3PCS				

Hardware pack is located in 935923B2

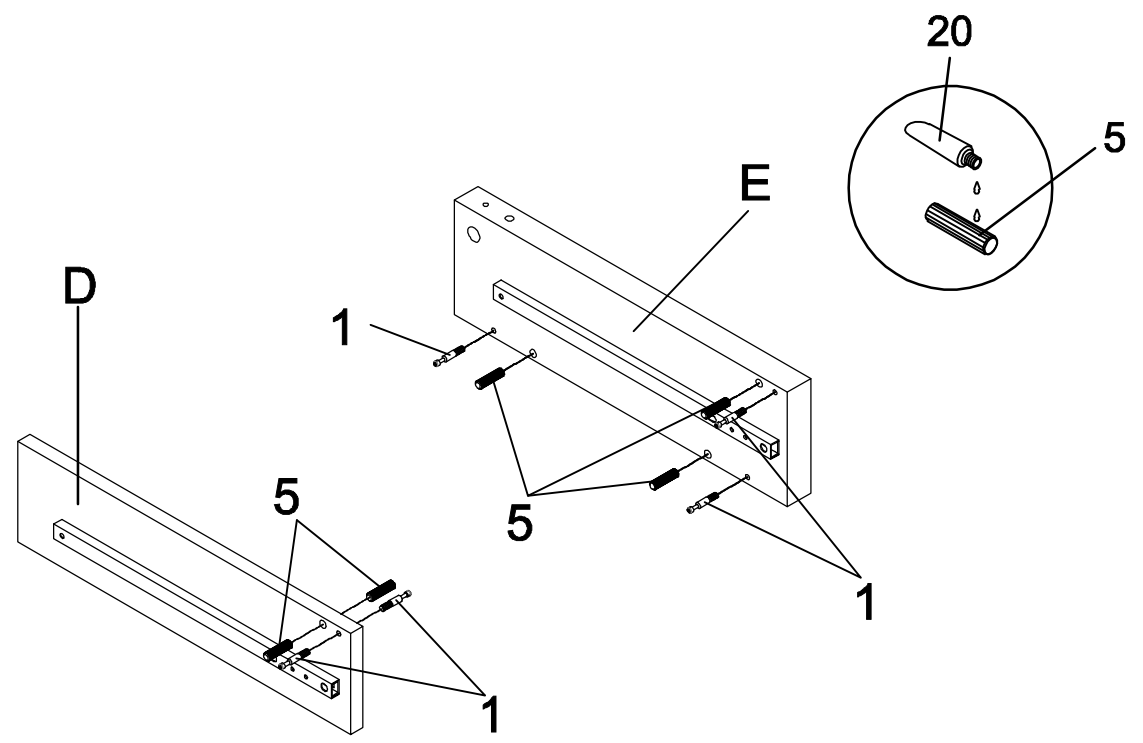
ITEM:935923 ASSEMBLY INSTRUCTIONS



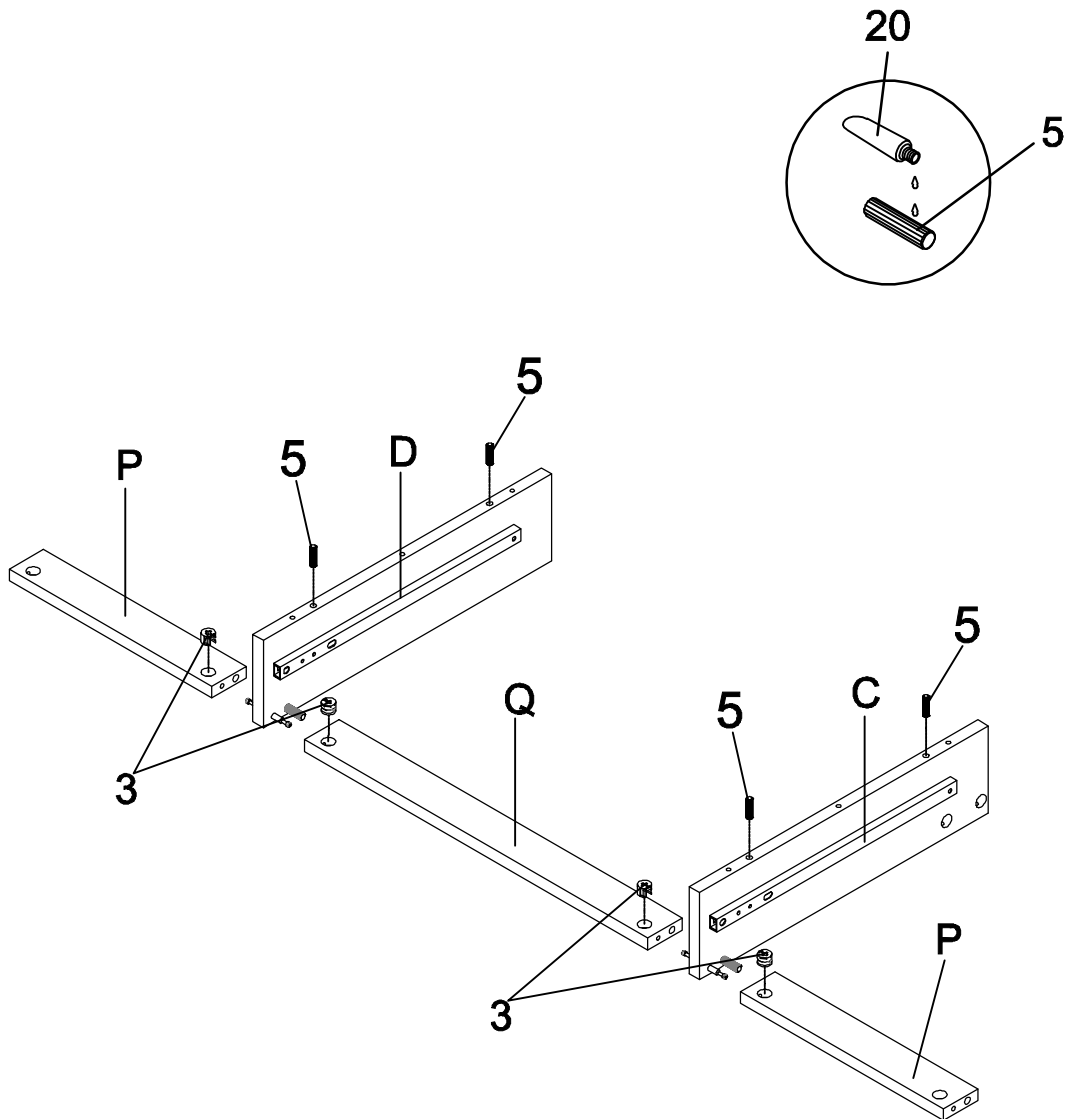
STEP 1 Do not tighten until each step is completed or instructed.



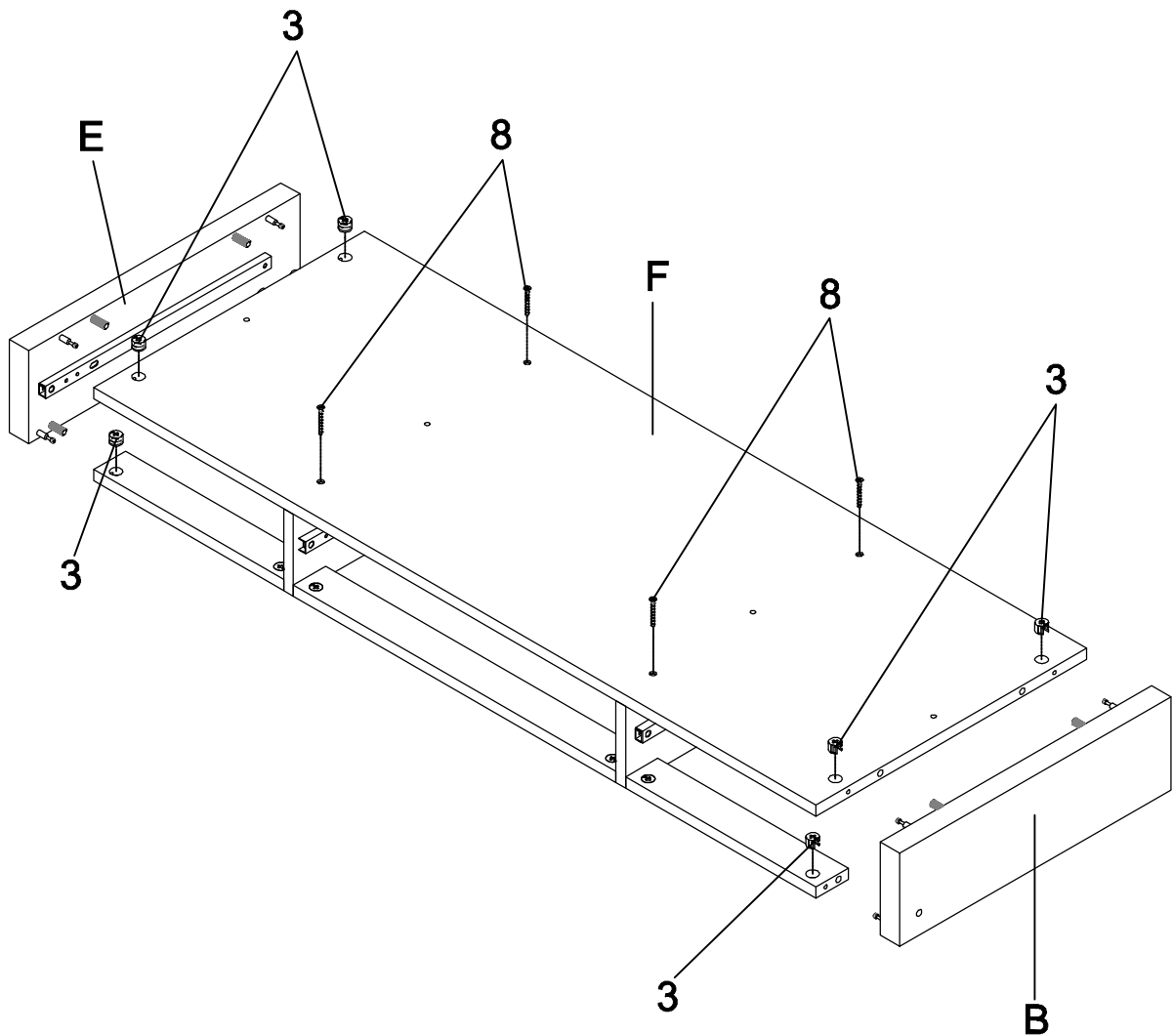
STEP 2



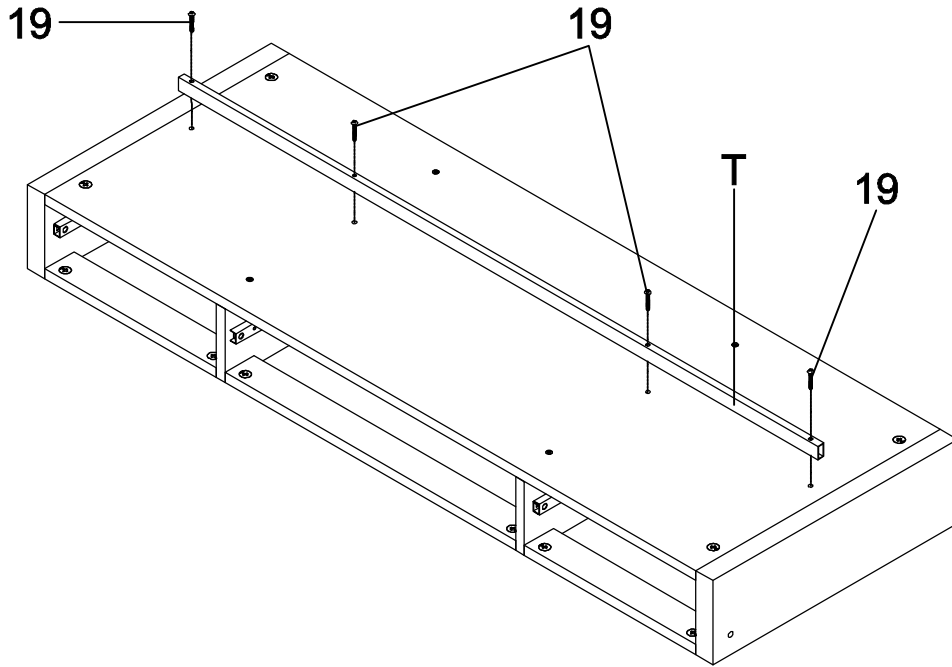
ITEM:935923
ASSEMBLY INSTRUCTIONS
STEP 3



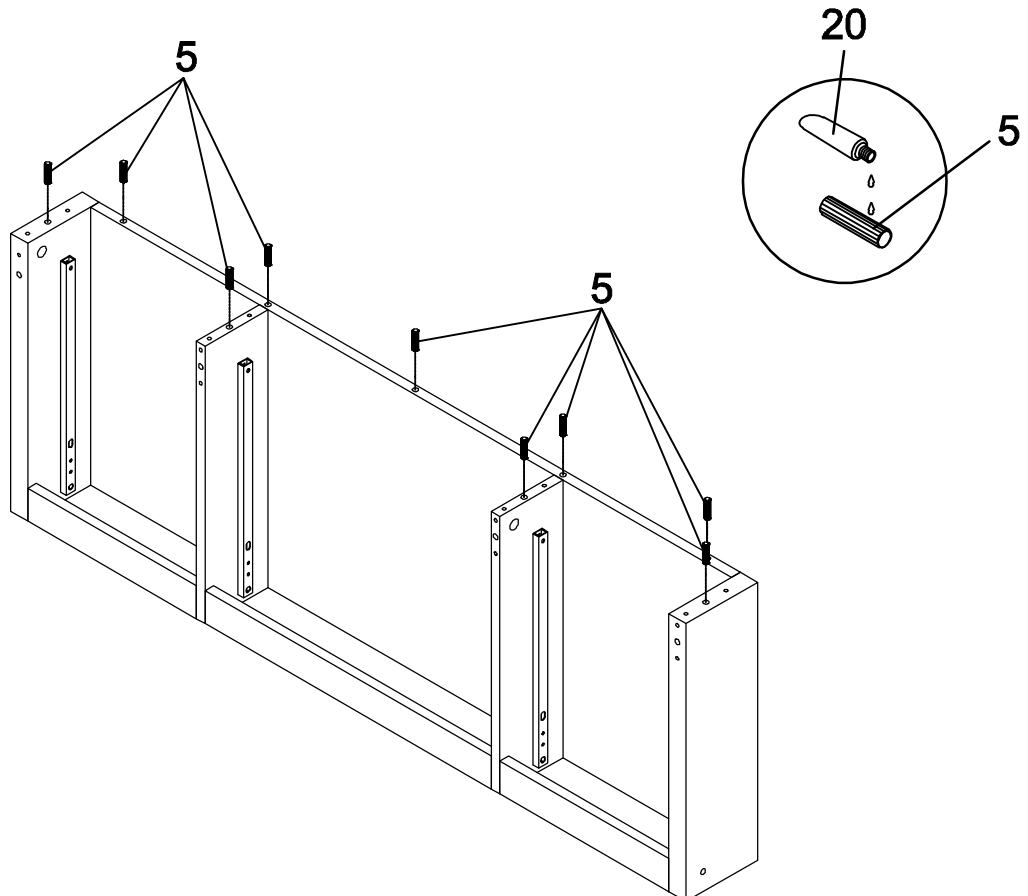
ITEM:935923
ASSEMBLY INSTRUCTIONS
STEP 4



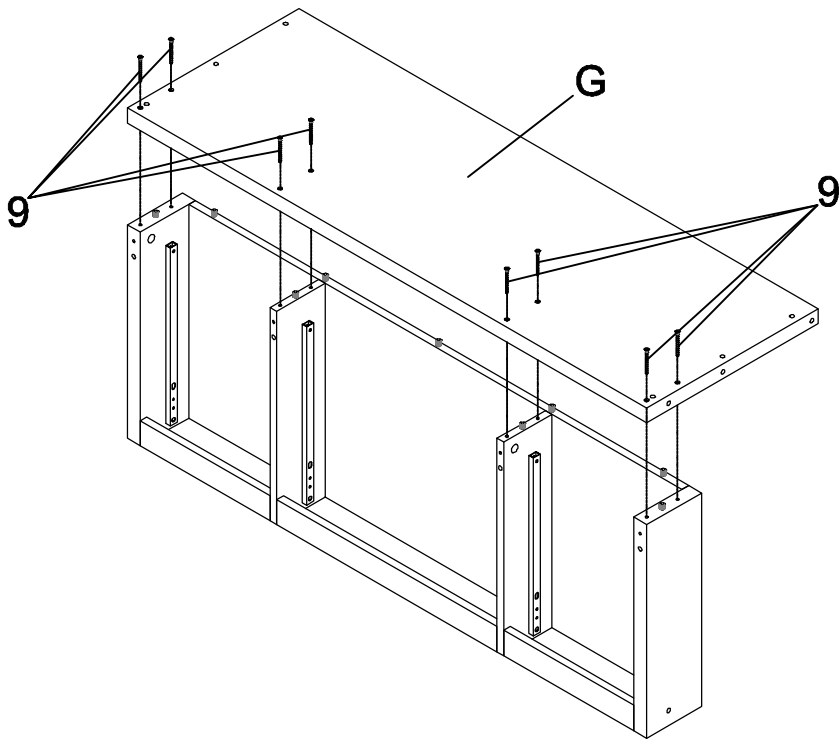
ITEM:935923
ASSEMBLY INSTRUCTIONS
STEP 5



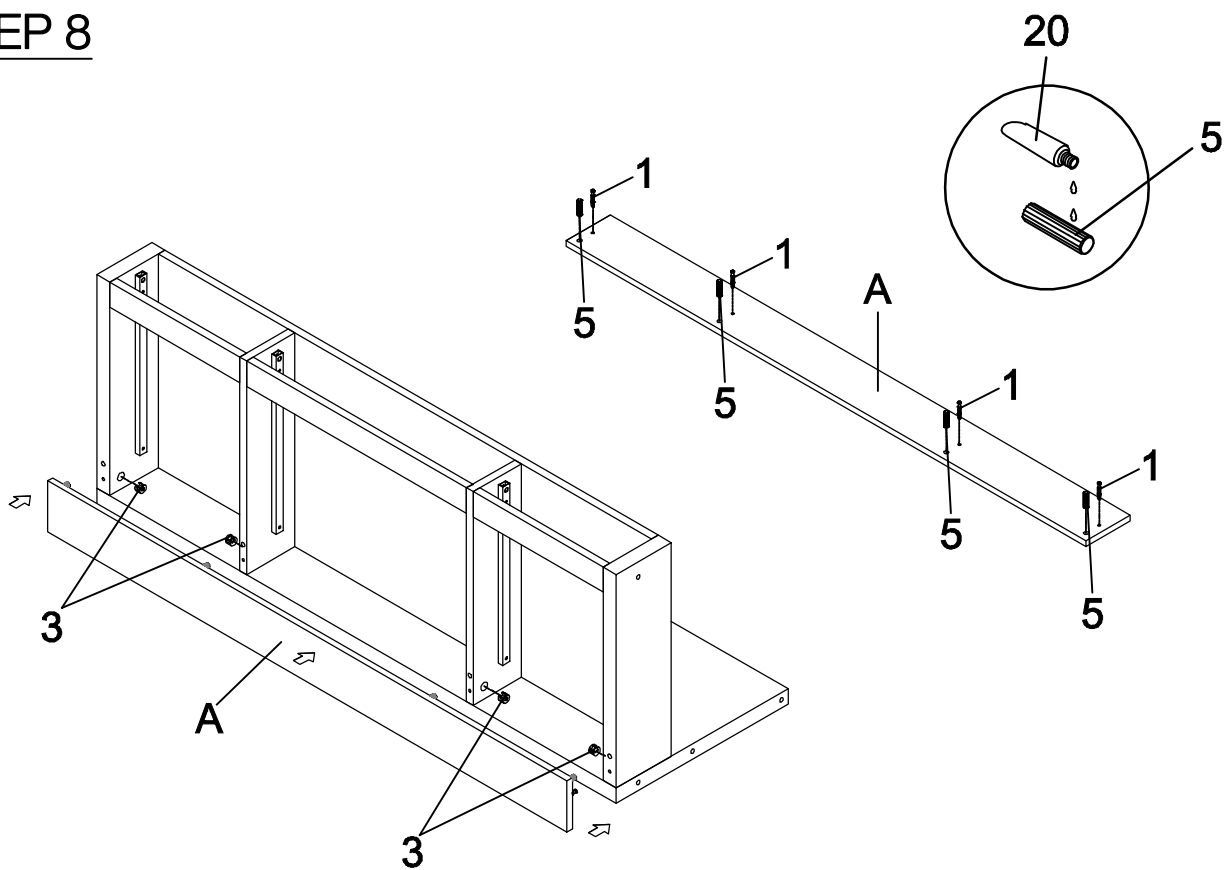
STEP 6



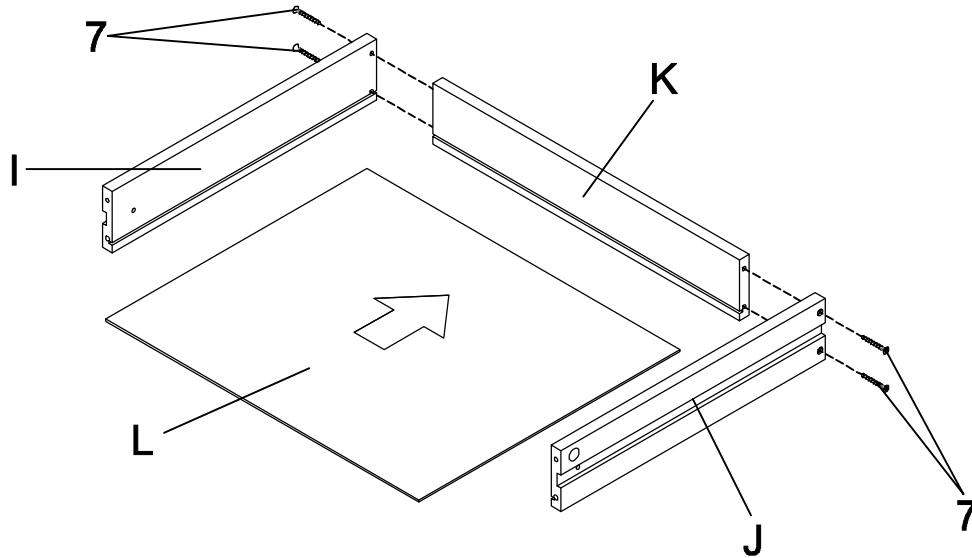
ITEM: 935923
ASSEMBLY INSTRUCTIONS
STEP 7



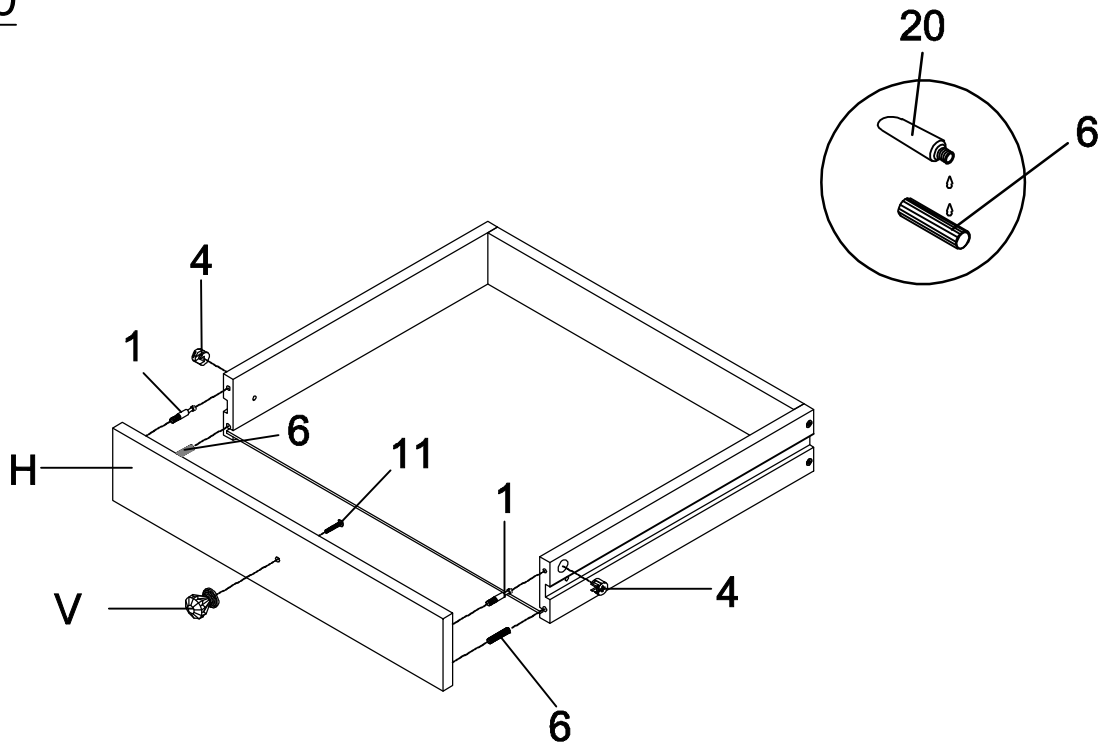
STEP 8



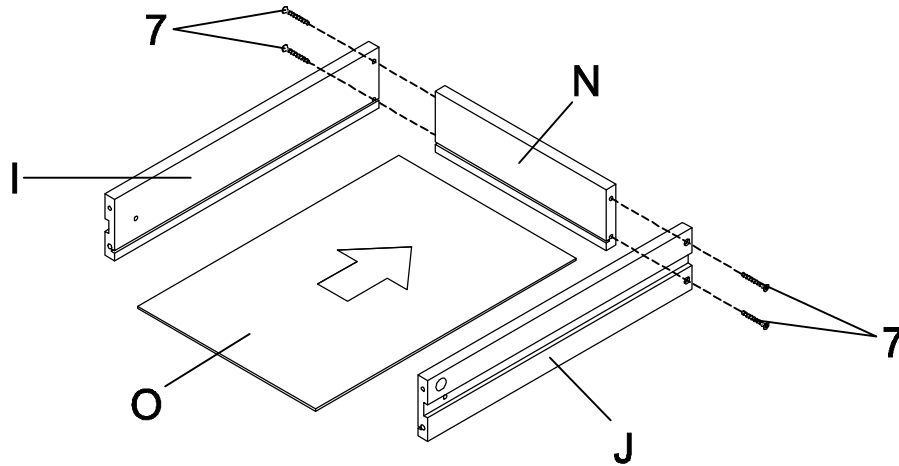
ITEM:935923
ASSEMBLY INSTRUCTIONS
STEP 9



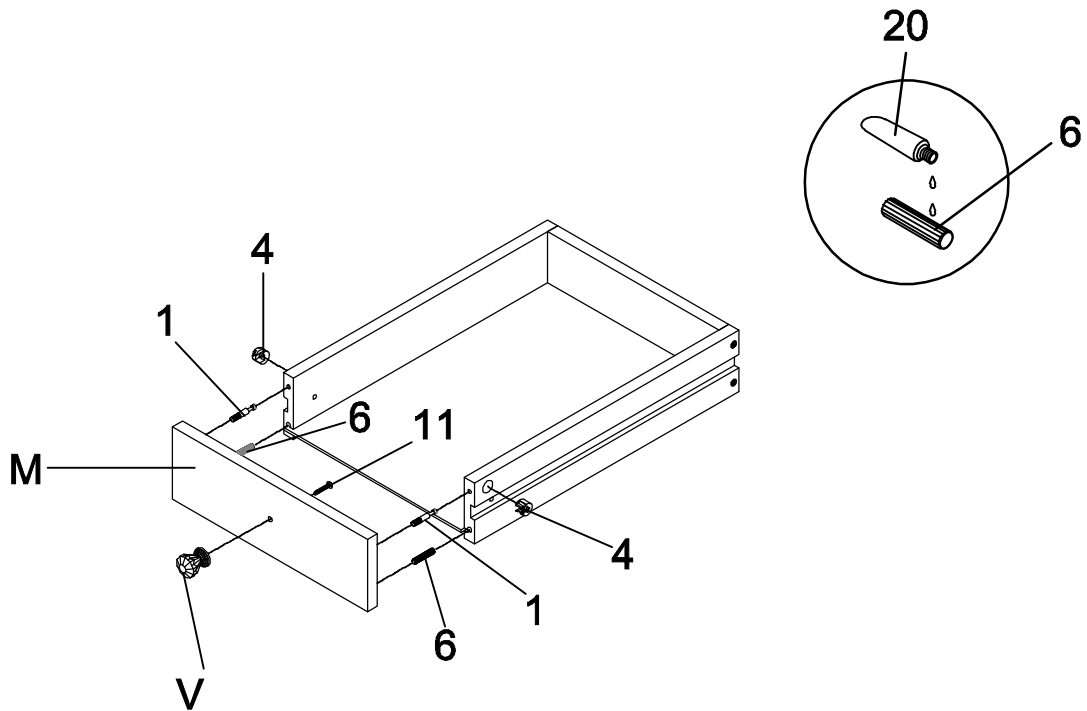
STEP 10



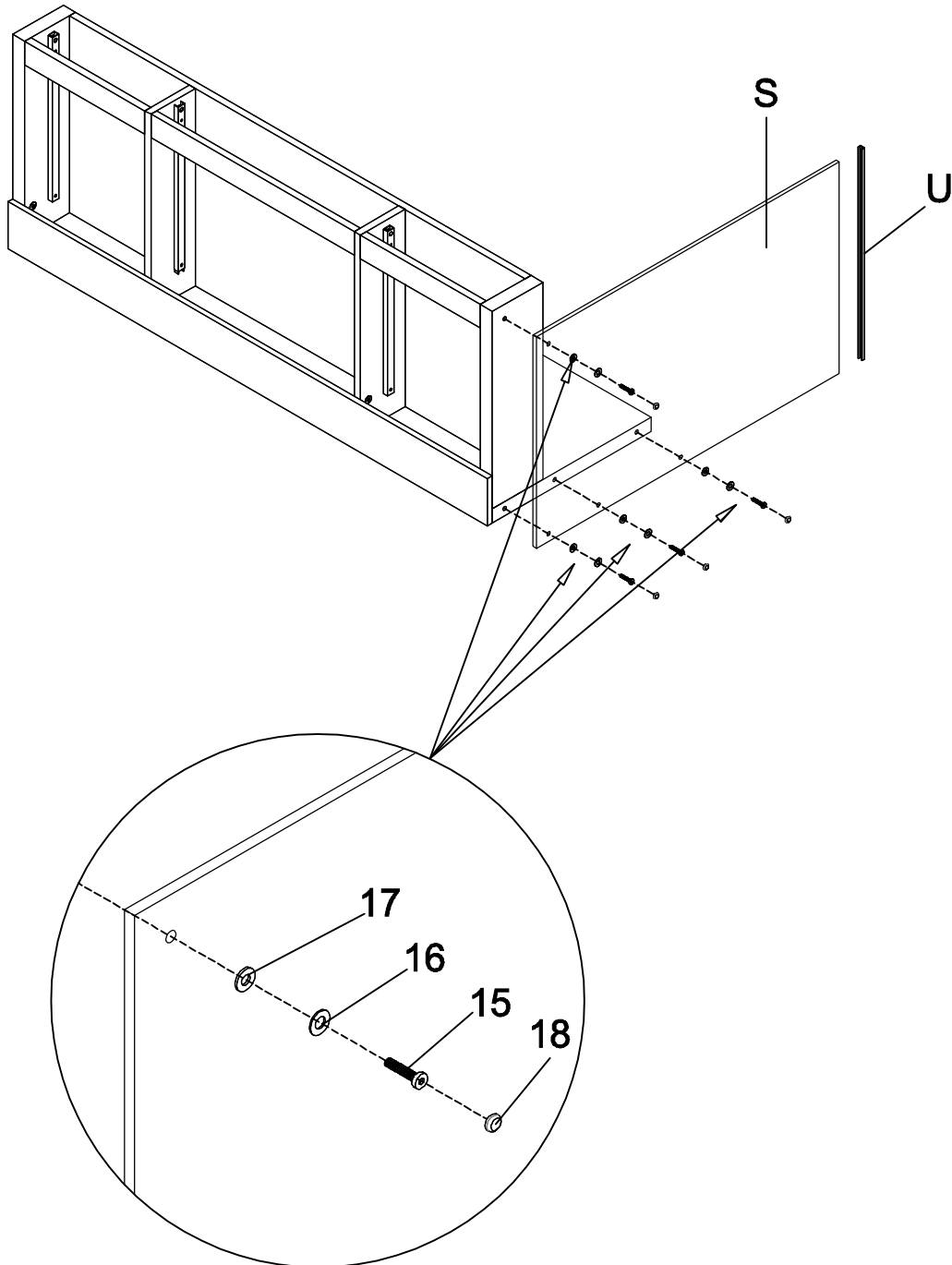
ITEM:935923
ASSEMBLY INSTRUCTIONS
STEP 11



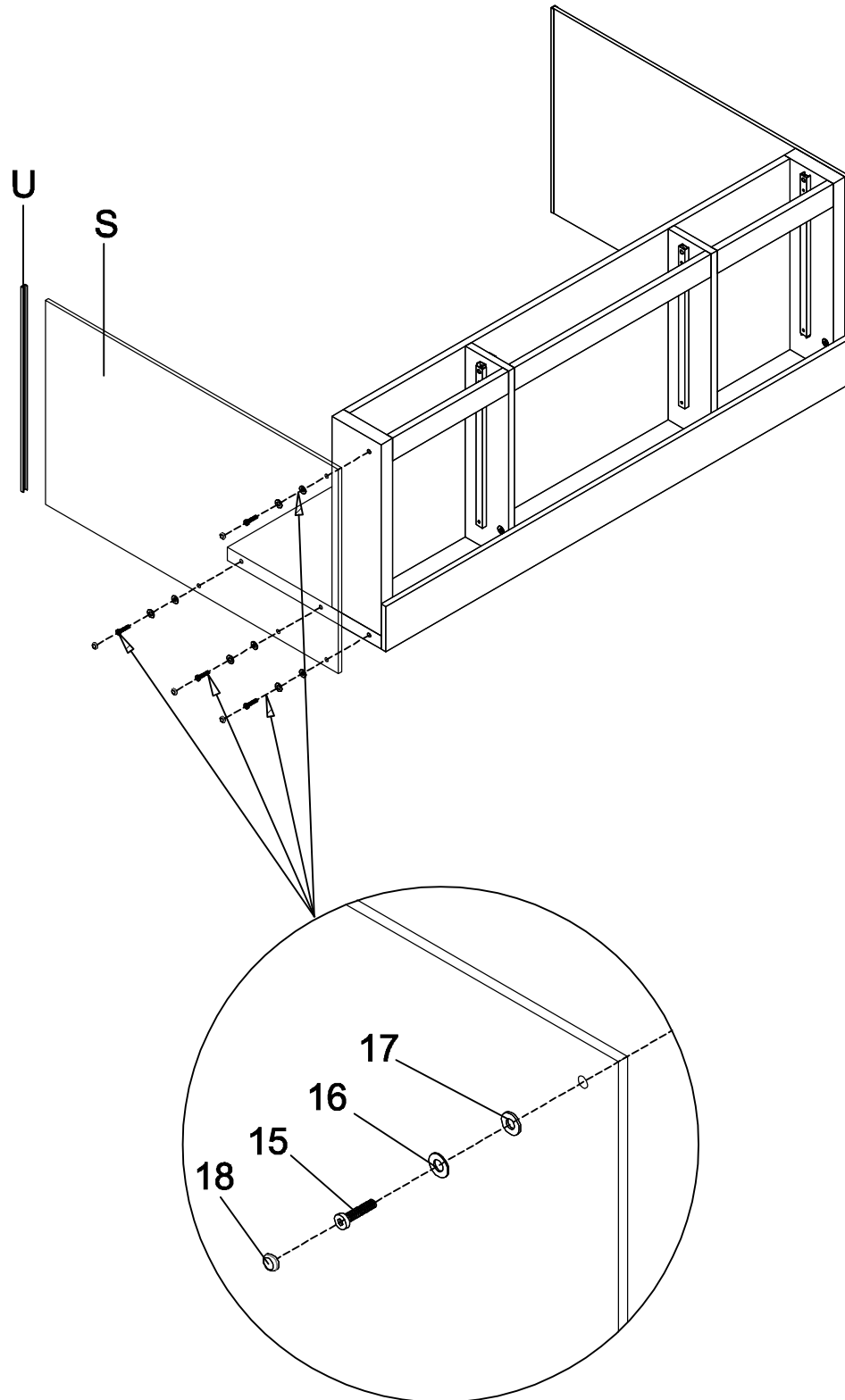
STEP 12



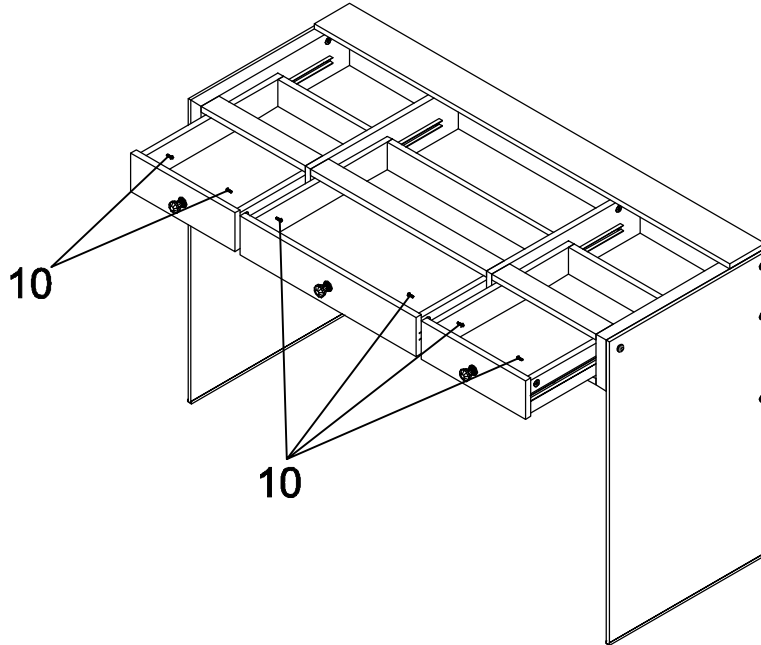
ITEM:935923
ASSEMBLY INSTRUCTIONS
STEP 13



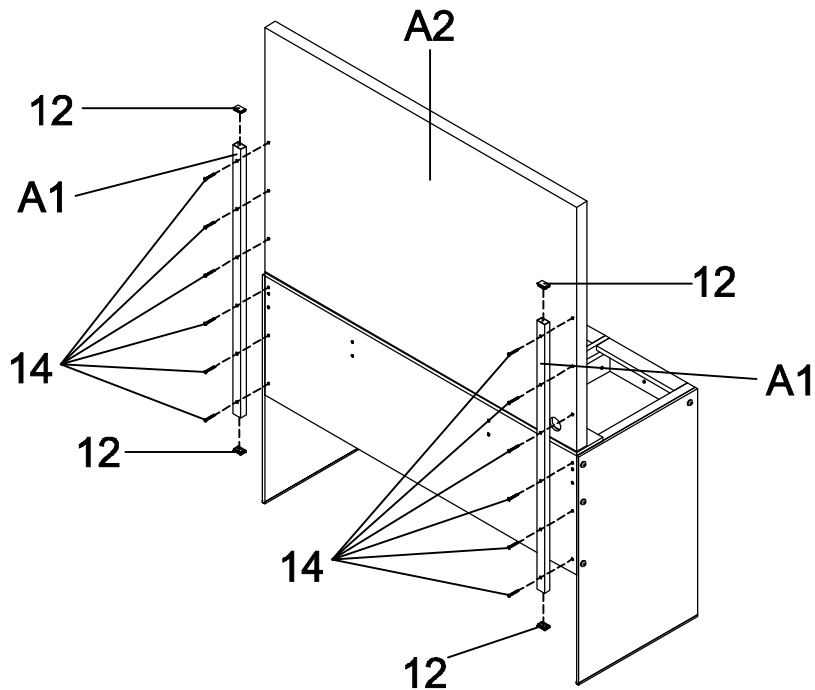
ITEM:935923
ASSEMBLY INSTRUCTIONS
STEP 14



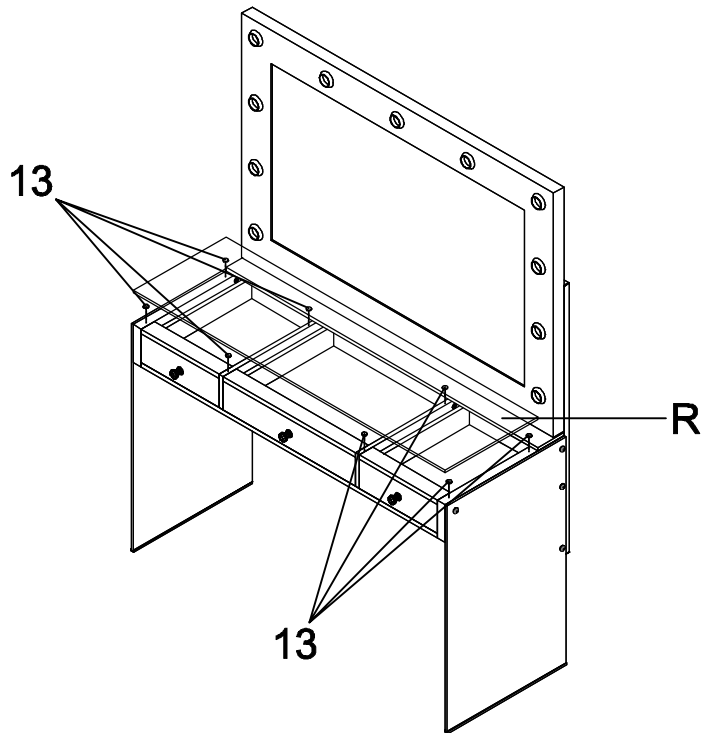
ITEM:935923
ASSEMBLY INSTRUCTIONS
STEP 15



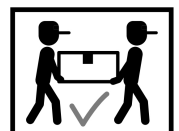
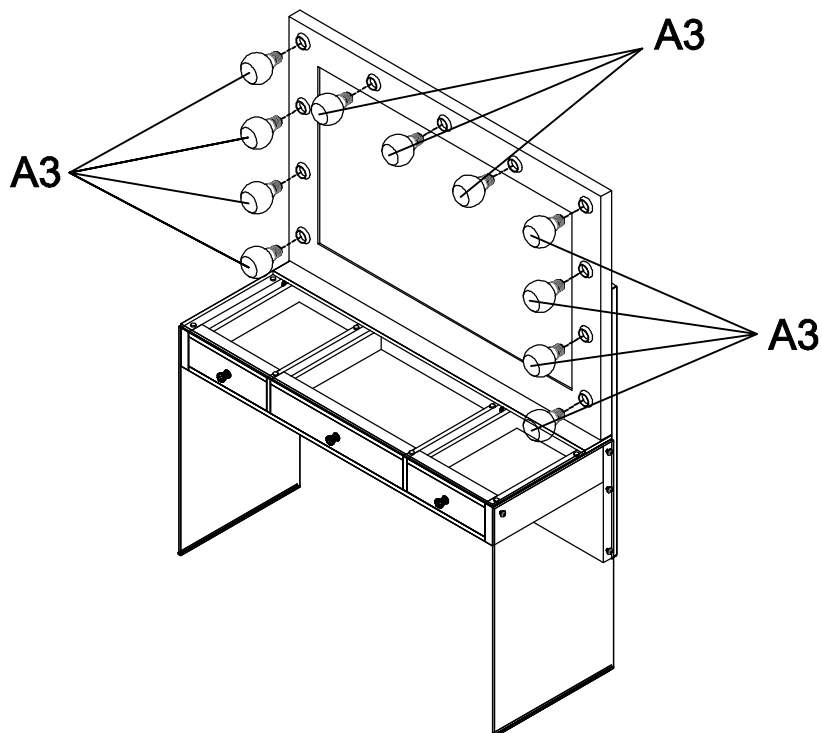
STEP 16



ITEM:935923
ASSEMBLY INSTRUCTIONS
STEP 17



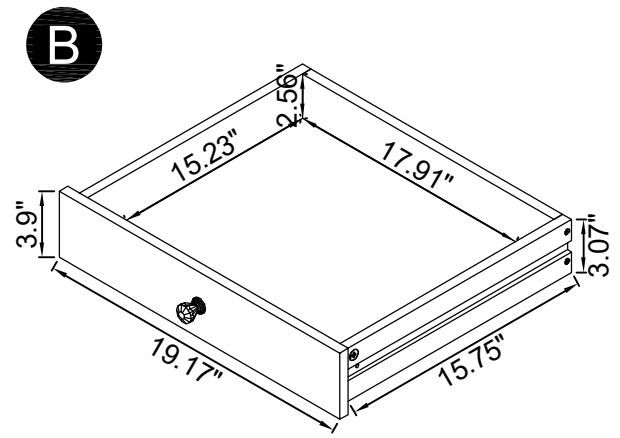
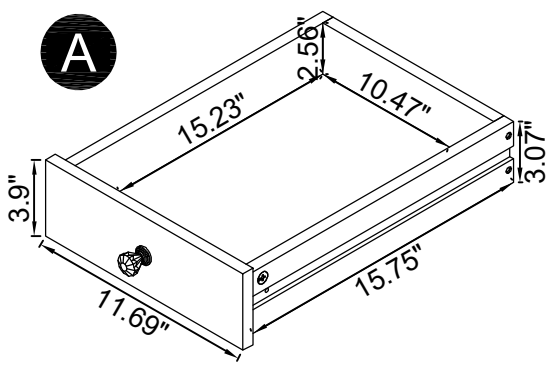
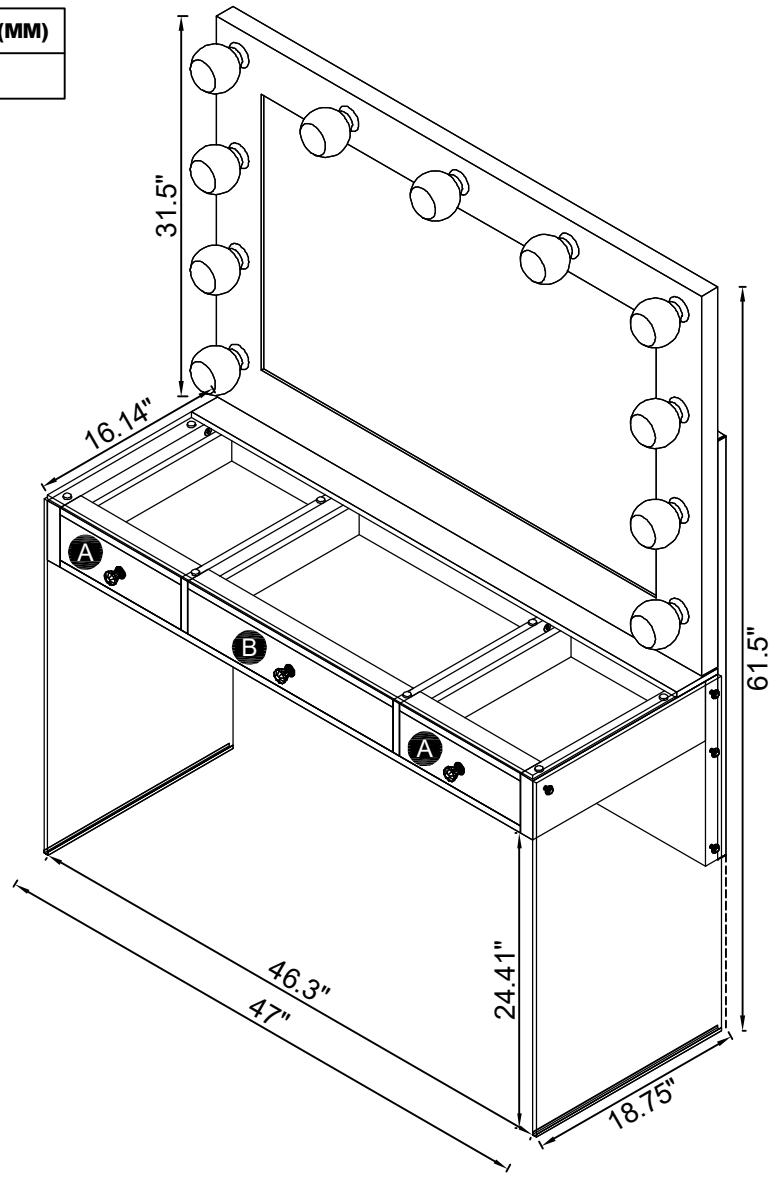
STEP 18
COMPLETE



ITEM:935923 ASSEMBLY INSTRUCTIONS



Product Size : 1194 X 476 X 1565 H (MM)
Product Size : 47" X 18.75" X 61.5"



Note : Dimension tolerance $\pm 5\%$

ITEM: **935923**



ANTI-TIPPING INSTALLMENT INSTRUCTIONS

FURNITURE TIPPING RESTRAINT

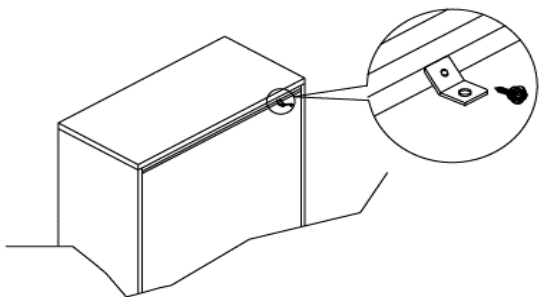
WARNING

Injury may result from tipping furniture.
This restraint may protect against tipping furniture.
Do not allow children to climb on furniture.
This restraint is not a substitute for proper adult supervision.
Failure to detach this restraint before moving the furniture may result in injury and damage.

This tip restraint must be attached to a wall stud using long screw enclosed.

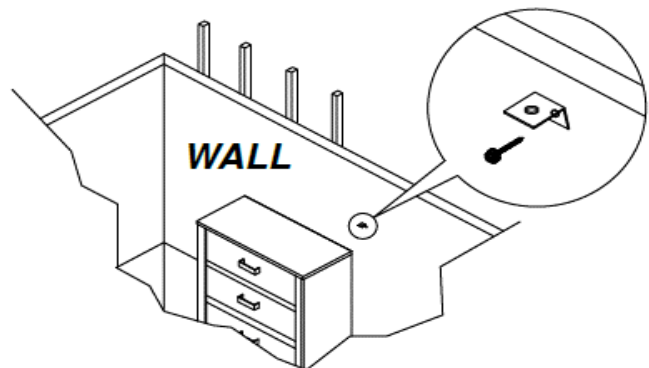
STEP 1

Attach a bracket securely to the back top rail of the furniture using short screw provided, through the smaller hole.



STEP 2

Locate the other bracket on the wall over a plastic wall stud and two inches below the mounting bracket secured to the back of the furniture. Attach the wall stud using the long screw provided, through the smaller hole.



STEP 3

Place the furniture into position so both mounting brackets are vertically in line. Lace the end of the restraint strap through the larger hole in each mounting bracket. Bring both ends together and slide the flat end through the locking end and draw it through until all slack is removed. Confirm that the strap is securely laced and locked.

