

ASSEMBLY INSTRUCTIONS
COASTER FINE FURNITURE



Fine Furniture for every stage of life

935934
VANITY

REVISION 0 : 07/22/2021
REVISION 1 : 10/11/2023

ITEM:935934



ASSEMBLY INSTRUCTIONS

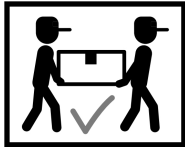
ASSEMBLY TIPS:

1. Remove hardware from box and sort by size.
2. Please check to see that all hardware and parts are present prior to start of assembly.
3. Please follow attached instructions in the same sequence as numbered to assure fast & easy assembly.



WARNING!

1. Don't attempt to repair or modify parts that are broken or defective. Please contact the store immediately.
2. This product is for home use only and not intended for commercial establishments.

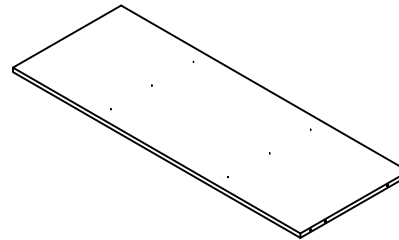


ASSEMBLY TIME 99 MINUTES

PARTS IDENTIFICATION

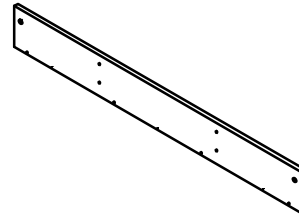
B2: VANITY BASE & GLASS

A BOTTOM PANEL



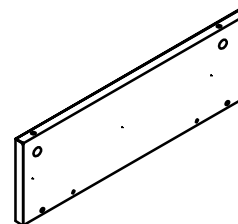
1PC

B BACK PANEL



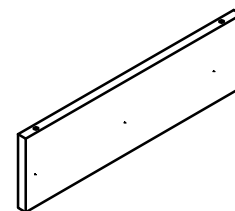
1PC

C LEFT PANEL



1PC

D MIDDLE PANEL



2PCS

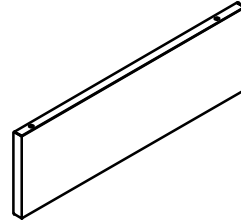
ITEM:935934



ASSEMBLY INSTRUCTIONS

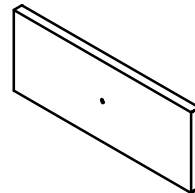
PARTS IDENTIFICATION

E RIGHT PANEL



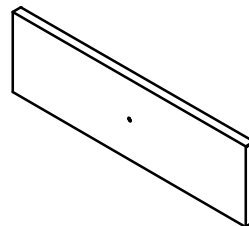
1PC

F LEFT DRAWER FRONT PANEL



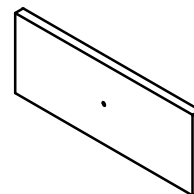
1PC

G MIDDLE DRAWER FRONT PANEL



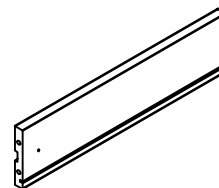
1PC

H RIGHT DRAWER FRONT PANEL



1PC

I DRAWER LEFT PANEL



3PCS

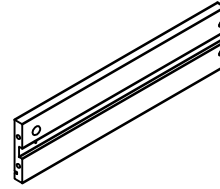
ITEM:935934



ASSEMBLY INSTRUCTIONS

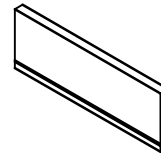
PARTS IDENTIFICATION

J DRAWER RIGHT PANEL



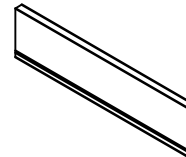
3PCS

K SMALL DRAWER BACK PANEL



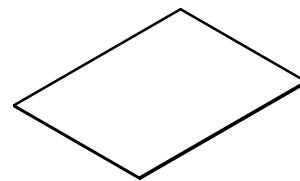
2PCS

L LARGE DRAWER BACK PANEL



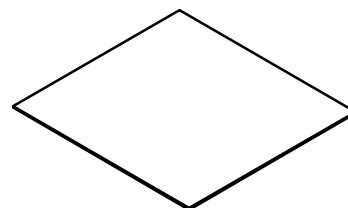
1PC

M SMALL DRAWER BOTTOM PANEL



2PCS

N LARGE DRAWER BOTTOM PANEL



1PC

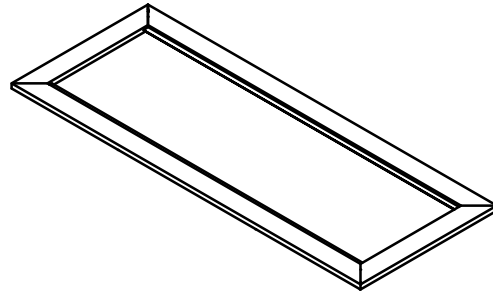
ITEM:935934



ASSEMBLY INSTRUCTIONS

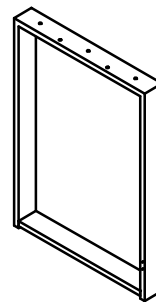
PARTS IDENTIFICATION

O TOP PANEL



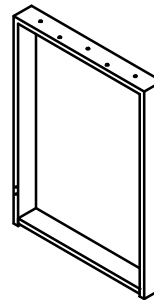
1PC

P LEFT FRAME



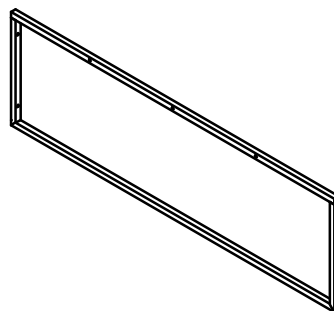
1PC

Q RIGHT FRAME



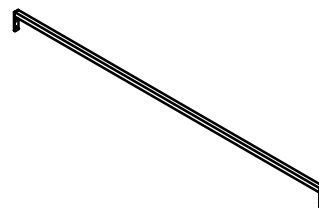
1PC

R BACK FRAME



1PC

S BOTTOM CROSSBAR



1PC

ITEM:935934

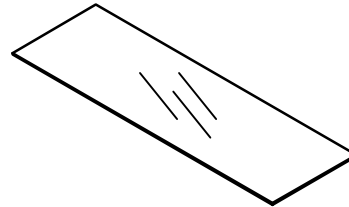


ASSEMBLY INSTRUCTIONS

PARTS IDENTIFICATION

T

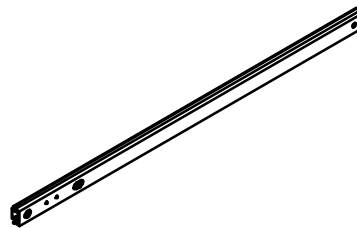
GLASS



1PC

U

SLIDE RAIL



6PCS

V

HANDLE

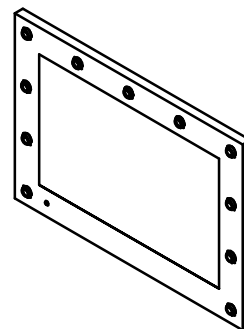


3PCS

B1: VANITY TOP

A1

MAKE-UP MIRROR



1PC

A2

CROSSBAR



2PCS

ITEM:935934



ASSEMBLY INSTRUCTIONS

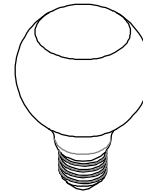
PARTS IDENTIFICATION

B3: 11PCS LIGHT BULB

A3

LIGHT BULB

TYPE G / E26 CLEAR LIGHT BULB / 4 WATT.





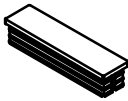














11PCS

ITEM:935934

ASSEMBLY INSTRUCTIONS



HARDWARE IDENTIFICATION

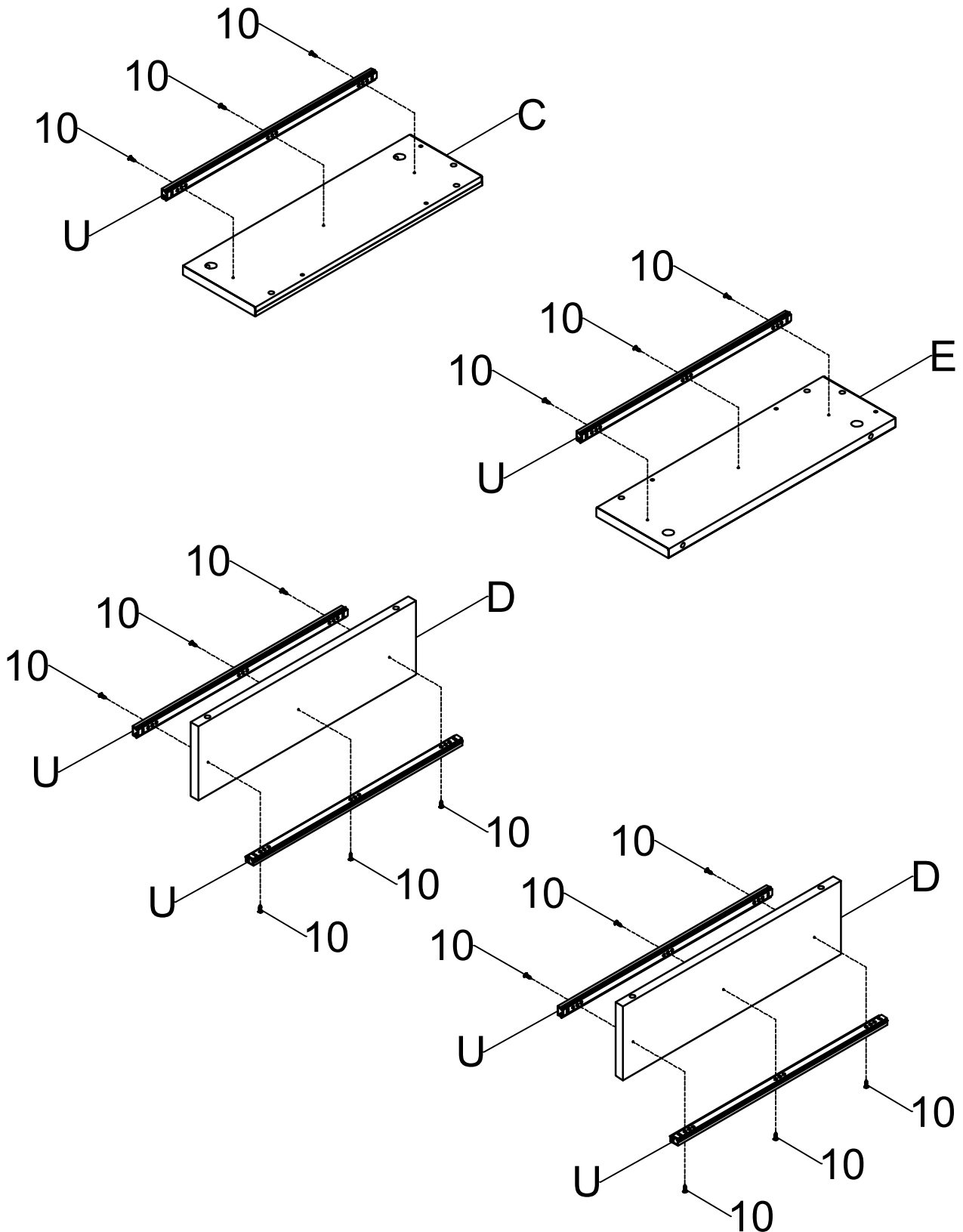
1	SMALL CAP (15 x 30 mm BLK)		4PCS	11	LONG CAM BOLT (38mm SR)		12PCS
2	LARGE CAP (15 x 60 mm BLK)		4PCS	12	SHORT CAM BOLT (33mm SR)		8PCS
3	LONG BOLT (1/4" x 28mm SR)		17PCS	13	CAM-LOCK		20PCS
4	MEDIUM BOLT (1/4" x 25mm SR)		8PCS	14	DOWEL (8 x 30mm)		16PCS
5	SHORT BOLT (1/4" x 13mm SR)		4PCS	15	GLUE		1PC
6	BOLT (1/4" x 25mm SR)		2PCS	16	SUCTION CUP		8PCS
7	HANDLE BOLT (5/32" x 22mm SR)		3PCS	17	ALLEN WRENCH (4mm)		1PC
8	SLIDE RAIL BOLT (5/32" x 12mm SR)		6PCS				
9	SCREW (4 x 38mm)		20PCS				
10	SLIDE RAIL SCREW (3 x 12mm SR)		18PCS				

Hardware pack is located in 935934B2

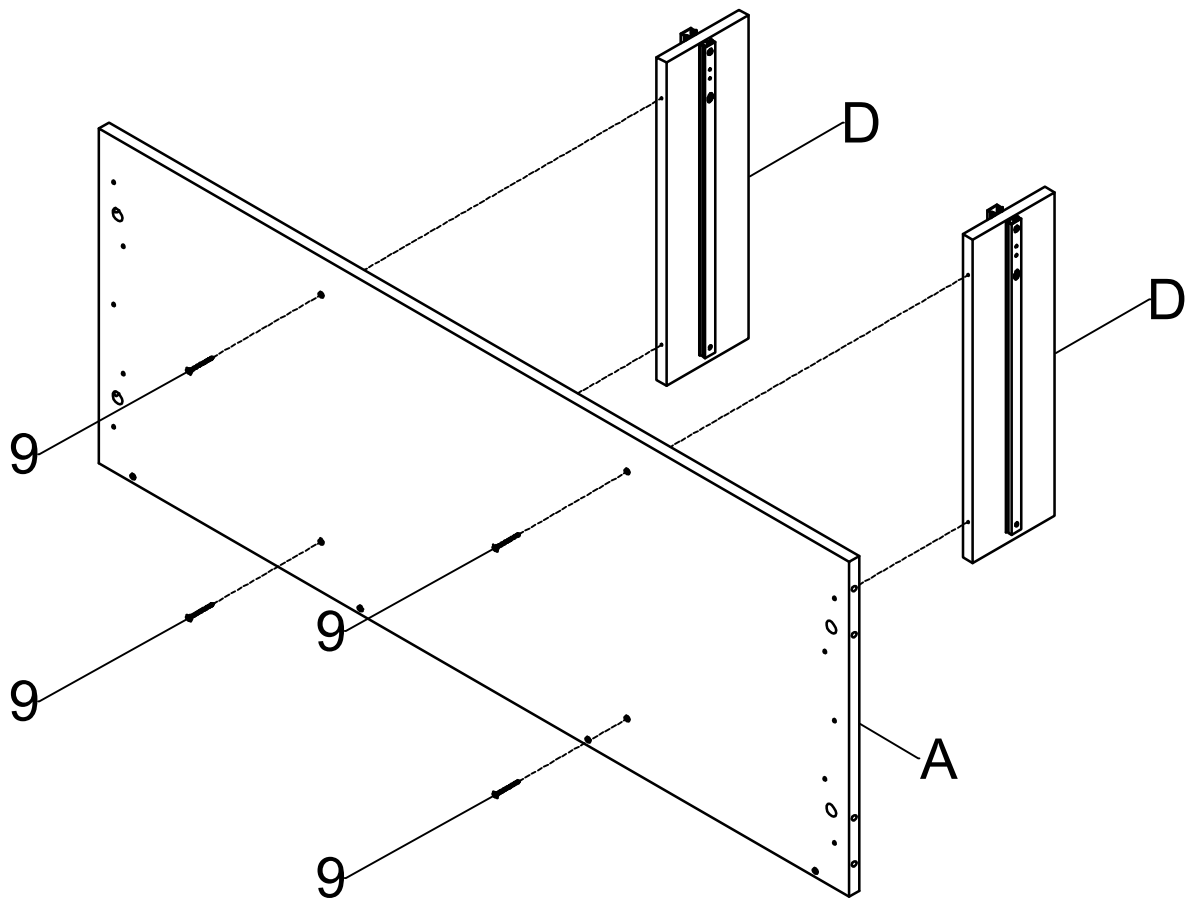
ITEM:935934 ASSEMBLY INSTRUCTIONS



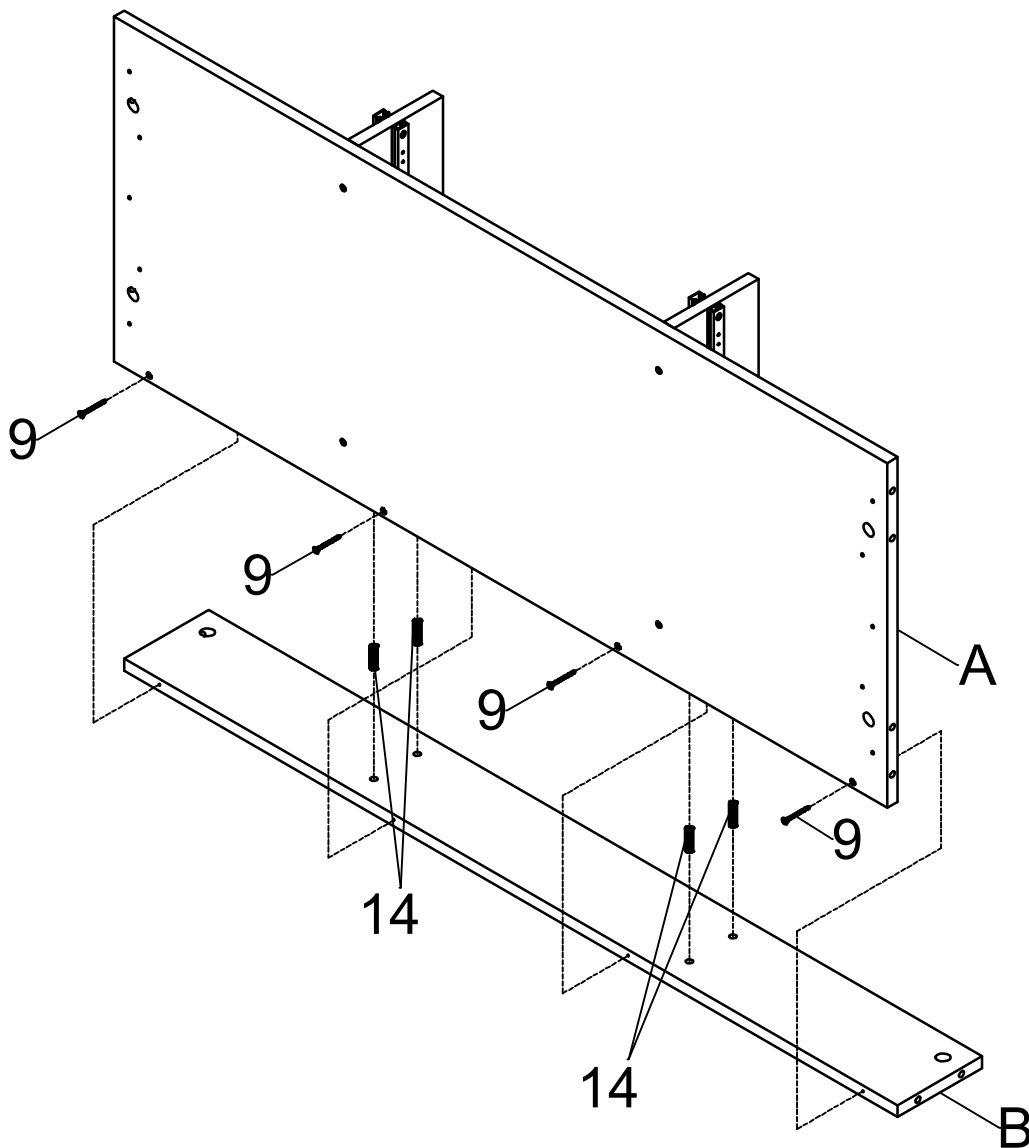
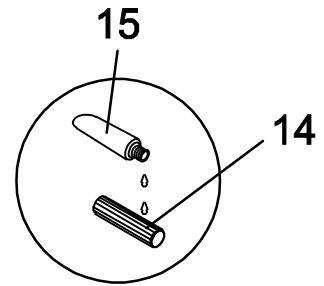
STEP 1 Do not tighten until each step is completed or instructed.



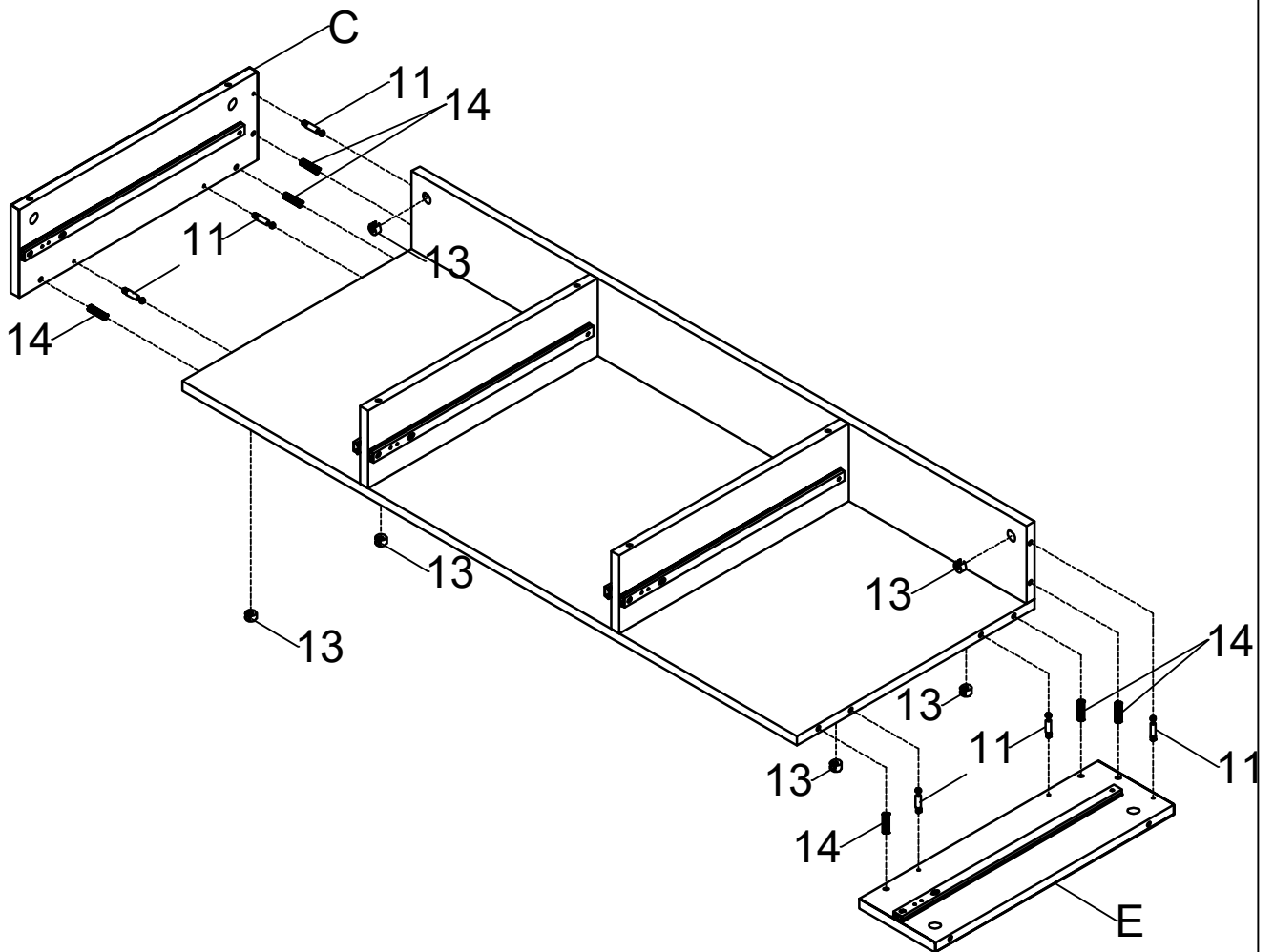
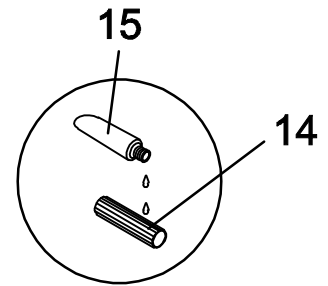
ITEM:935934
ASSEMBLY INSTRUCTIONS
STEP 2



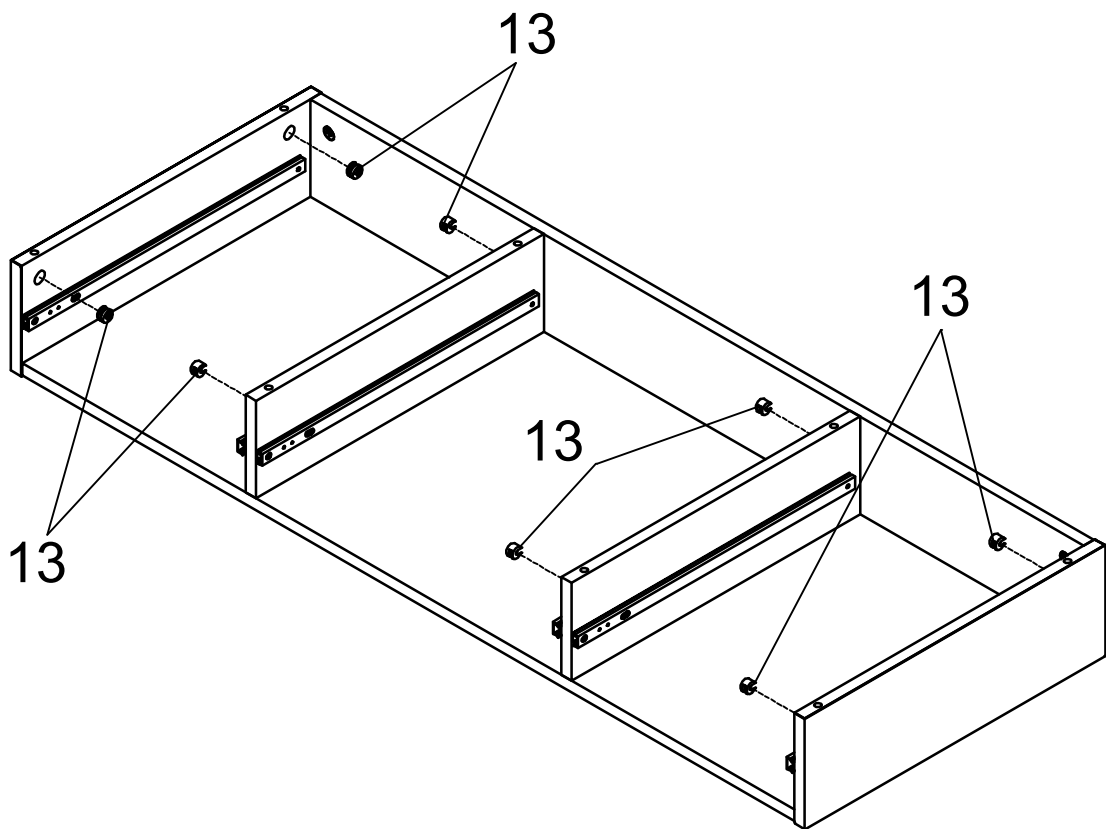
ITEM:935934
ASSEMBLY INSTRUCTIONS
STEP 3



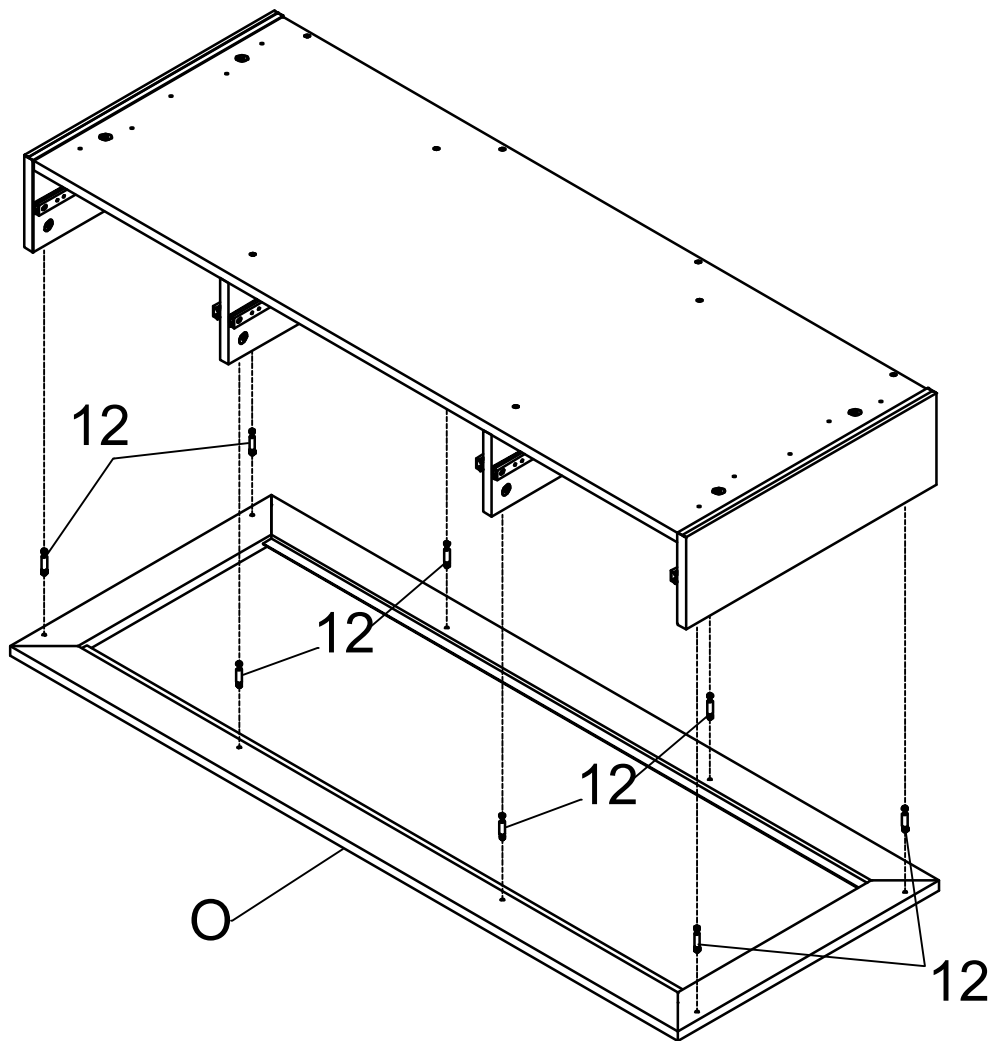
ITEM:935934
ASSEMBLY INSTRUCTIONS
STEP 4



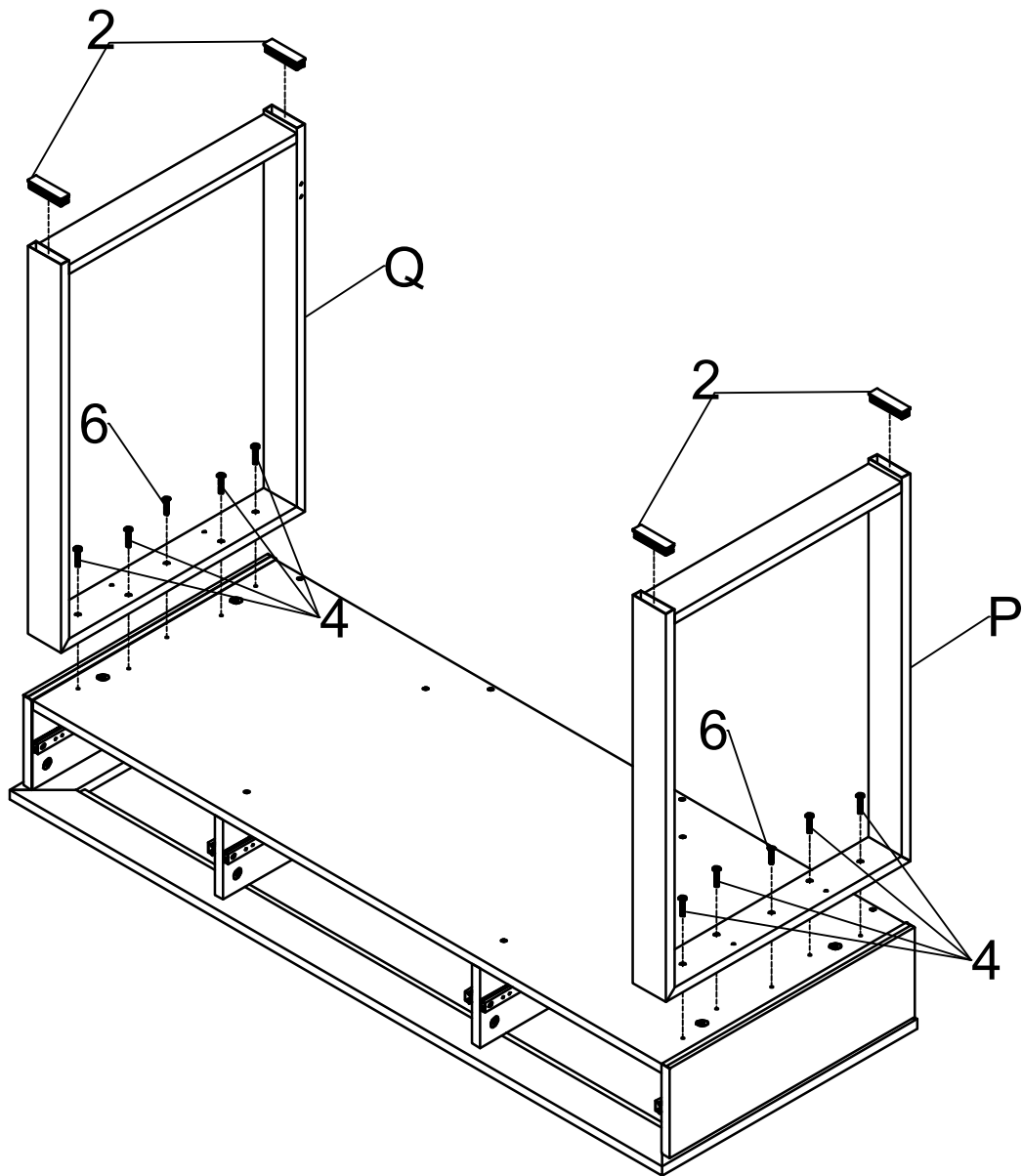
ITEM:935934
ASSEMBLY INSTRUCTIONS
STEP 5



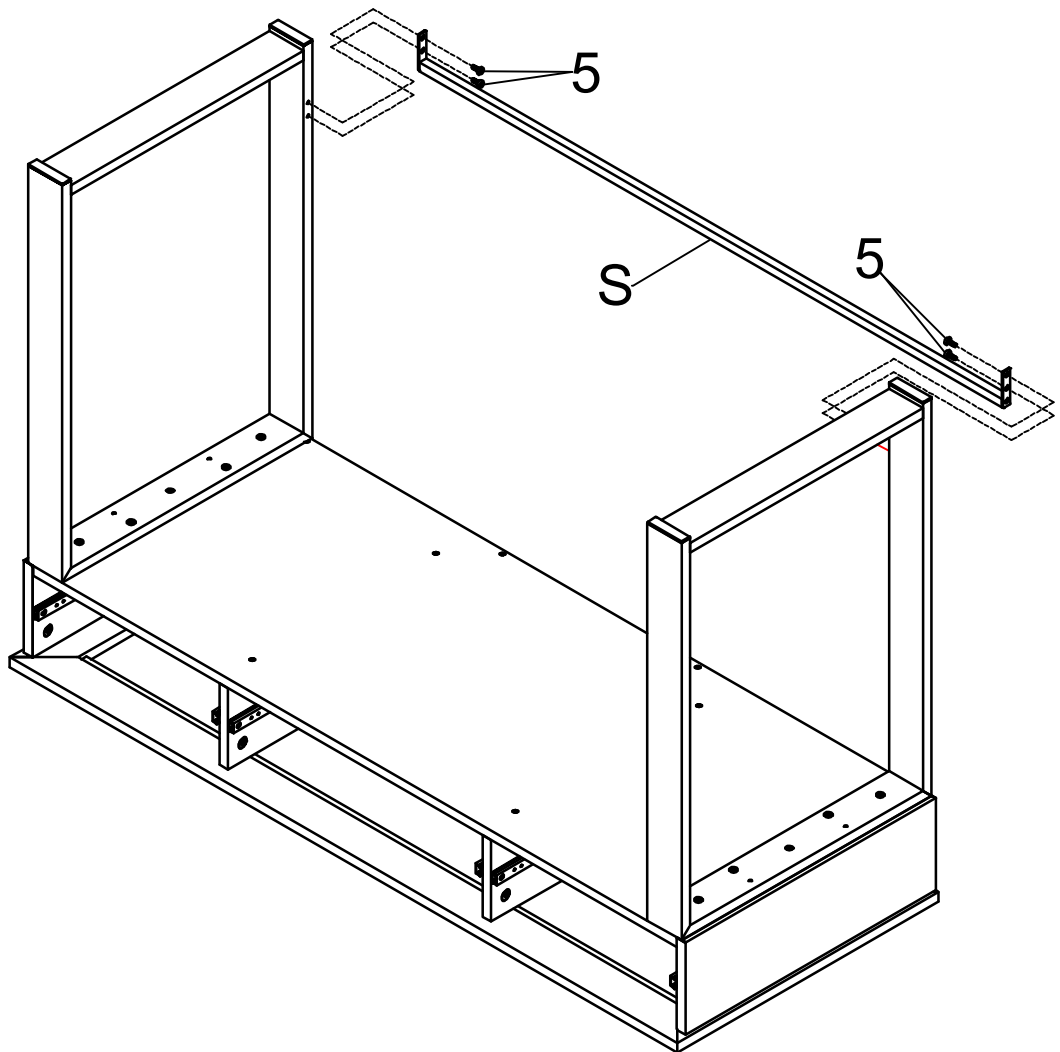
ITEM:935934
ASSEMBLY INSTRUCTIONS
STEP 6



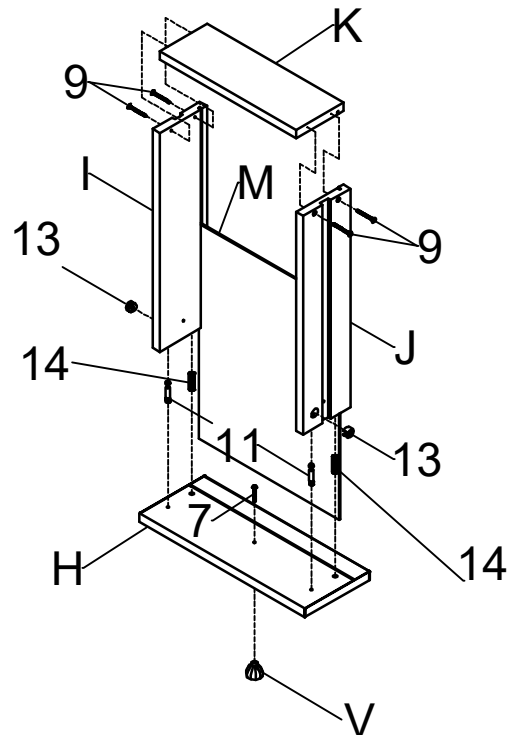
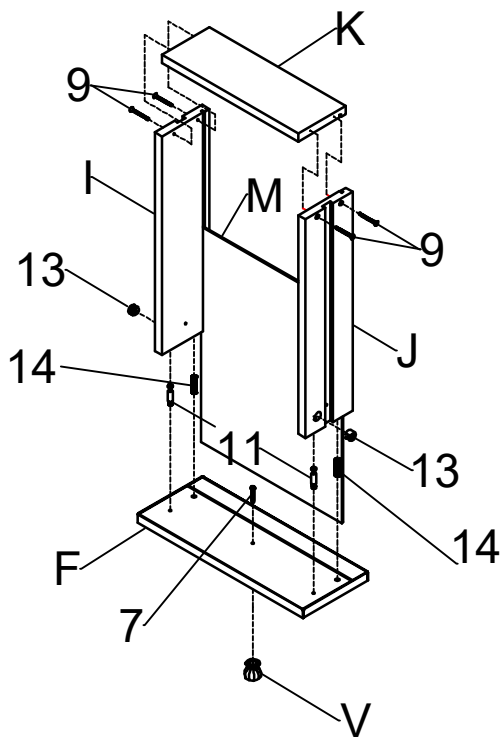
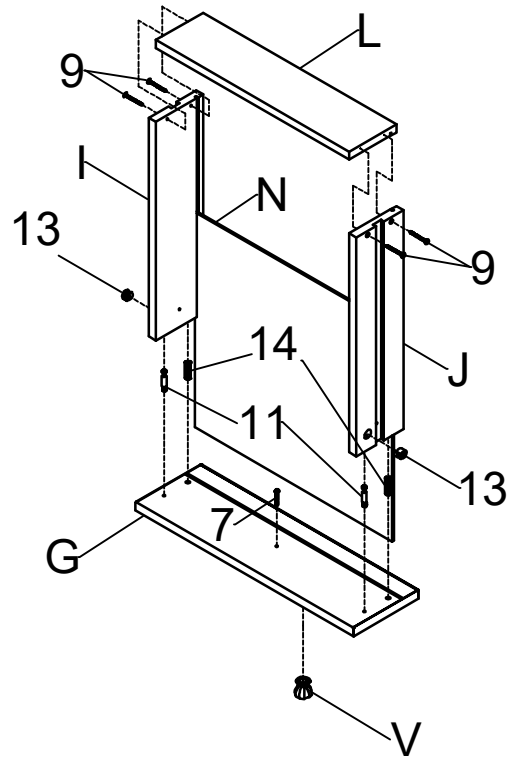
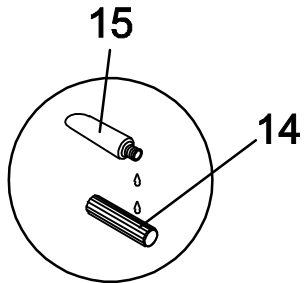
ITEM:935934
ASSEMBLY INSTRUCTIONS
STEP 7



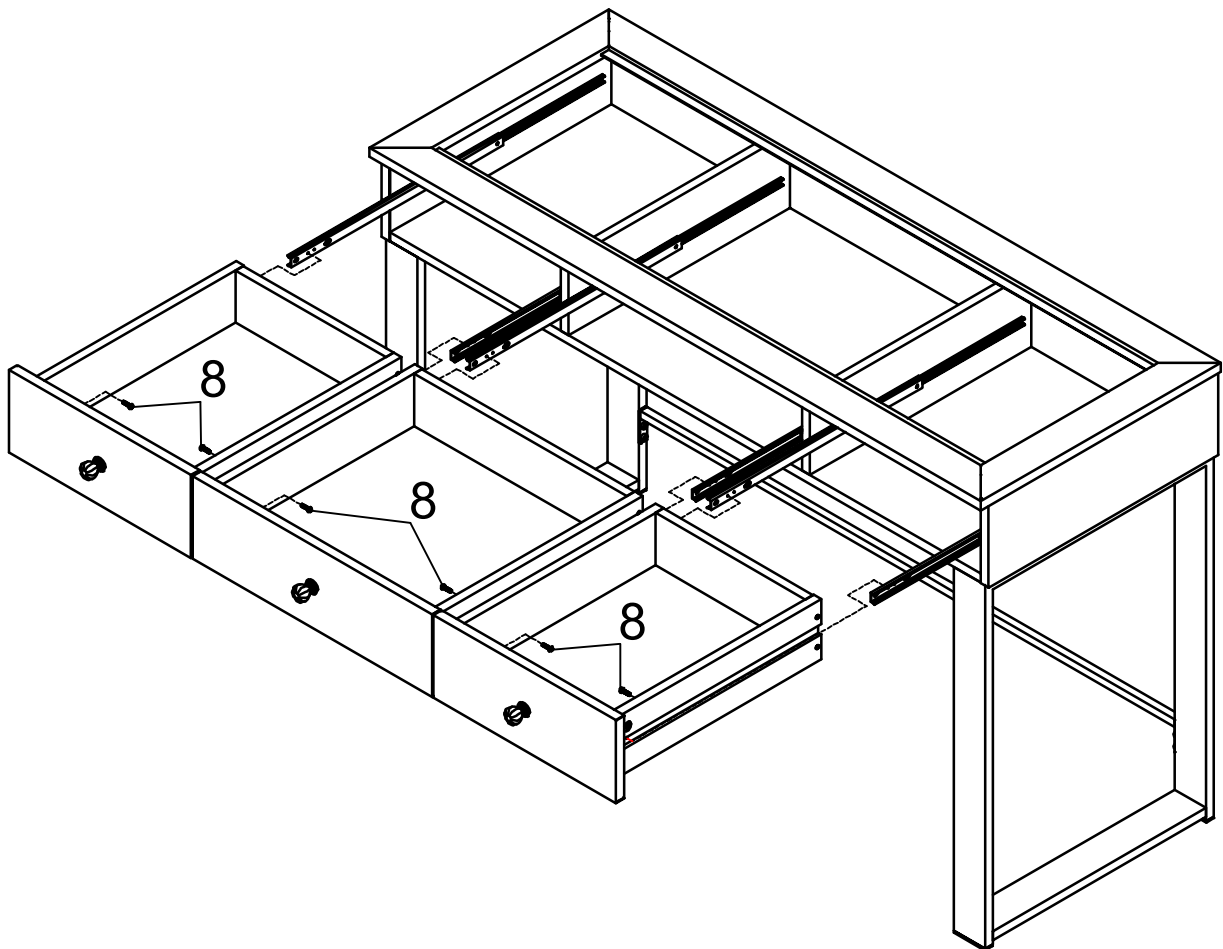
ITEM:935934
ASSEMBLY INSTRUCTIONS
STEP 8



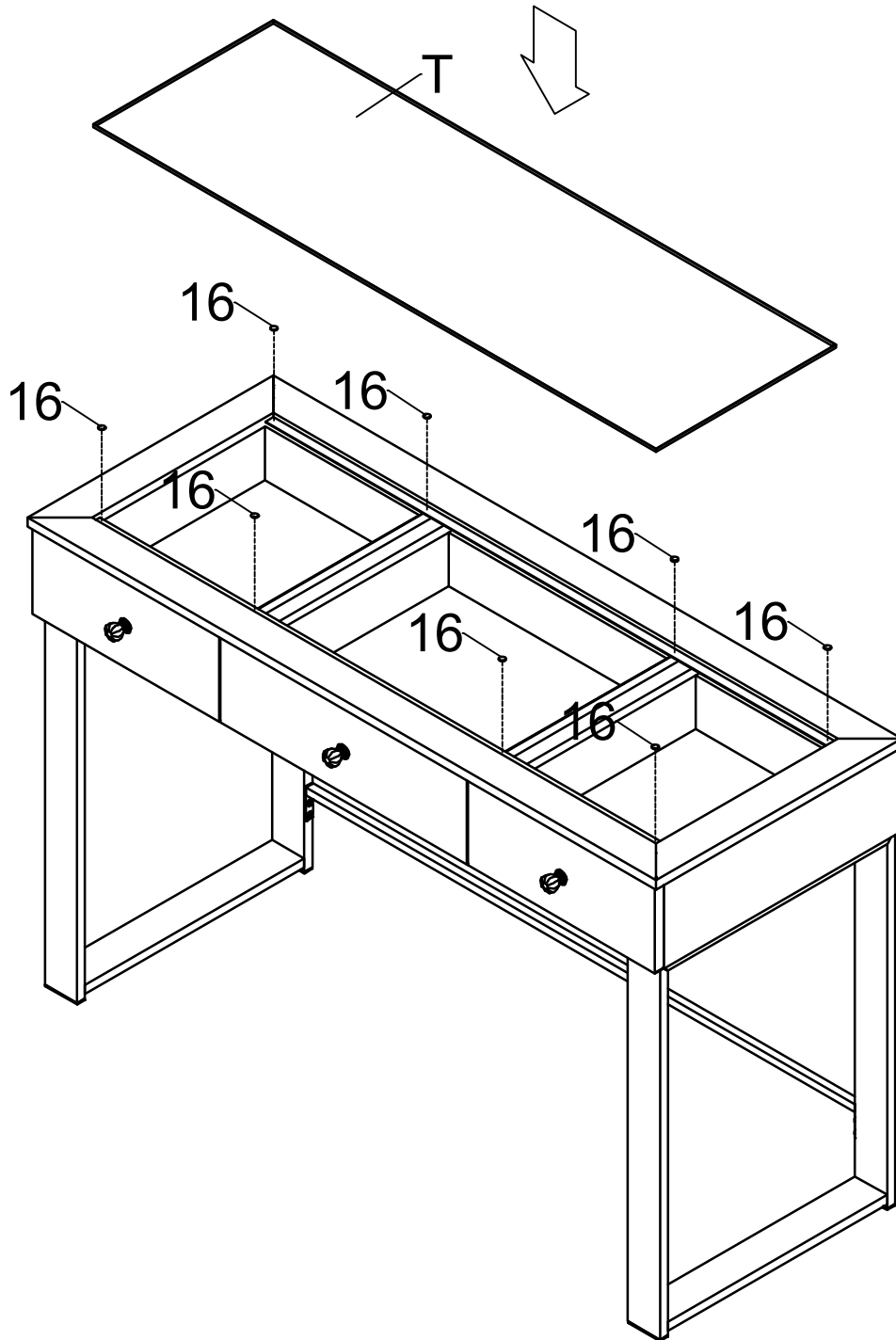
ITEM:935934
ASSEMBLY INSTRUCTIONS
STEP 9



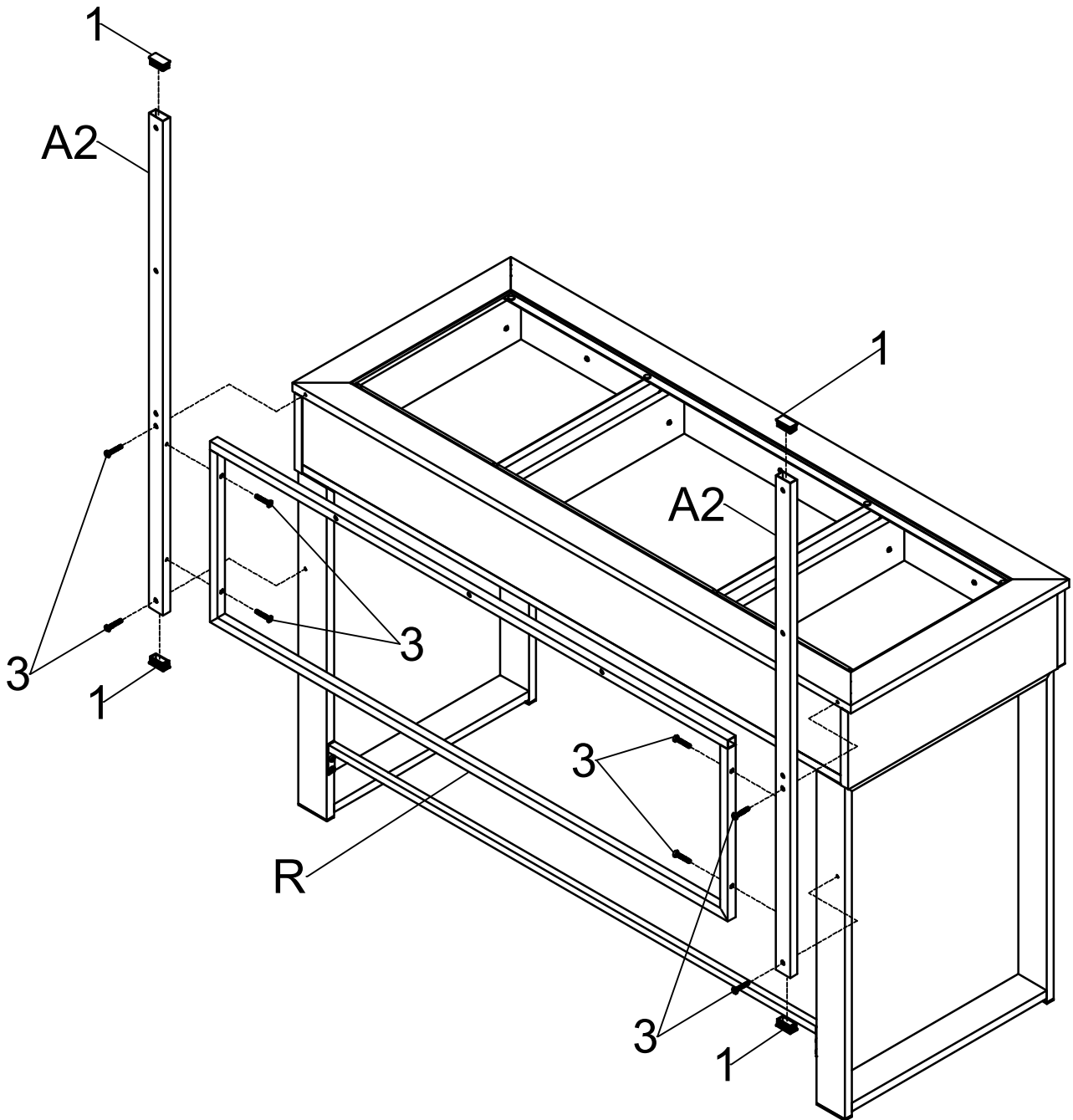
ITEM:935934
ASSEMBLY INSTRUCTIONS
STEP 10



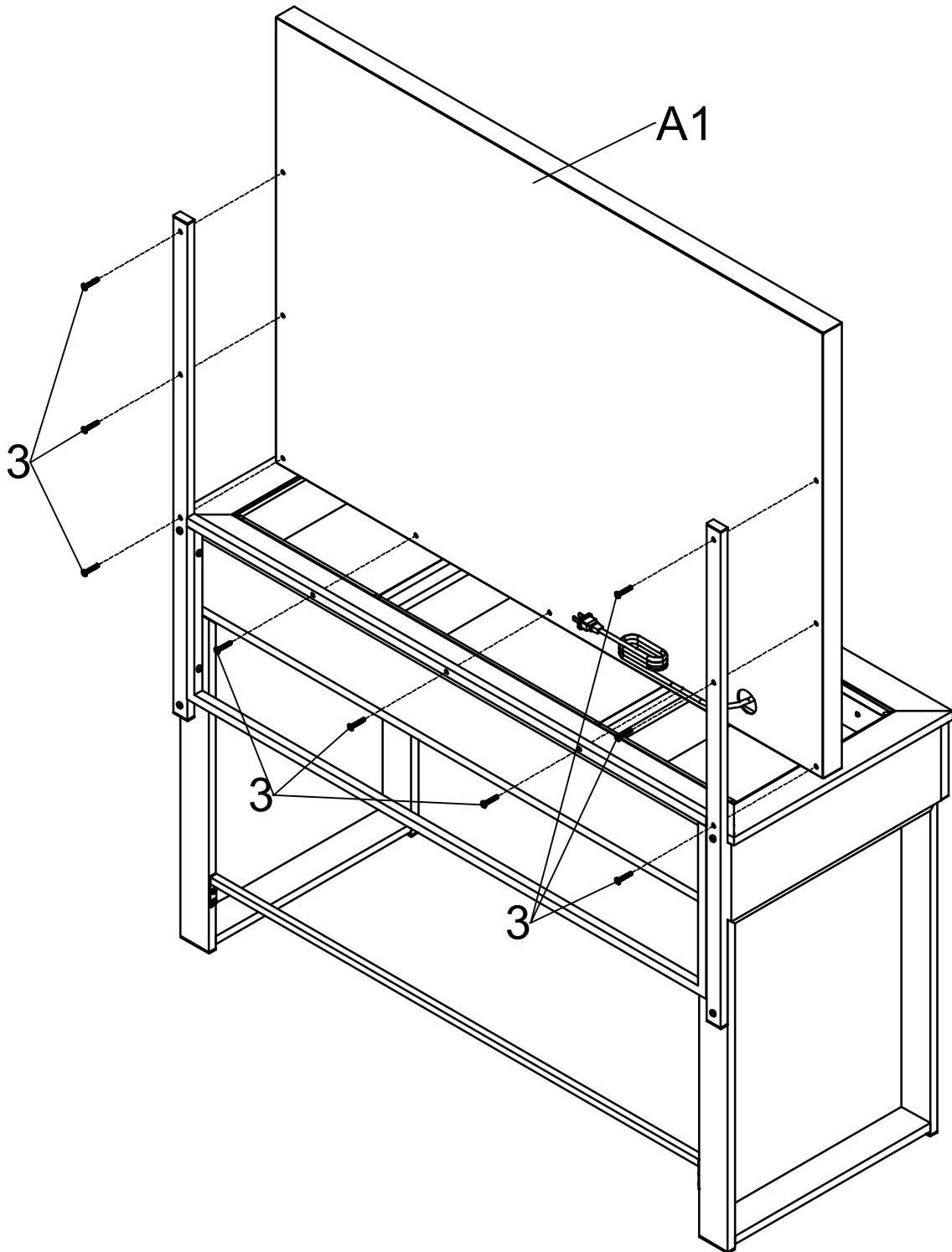
ITEM:935934
ASSEMBLY INSTRUCTIONS
STEP 11



ITEM:935934
ASSEMBLY INSTRUCTIONS
STEP 12



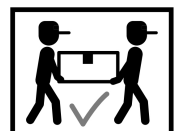
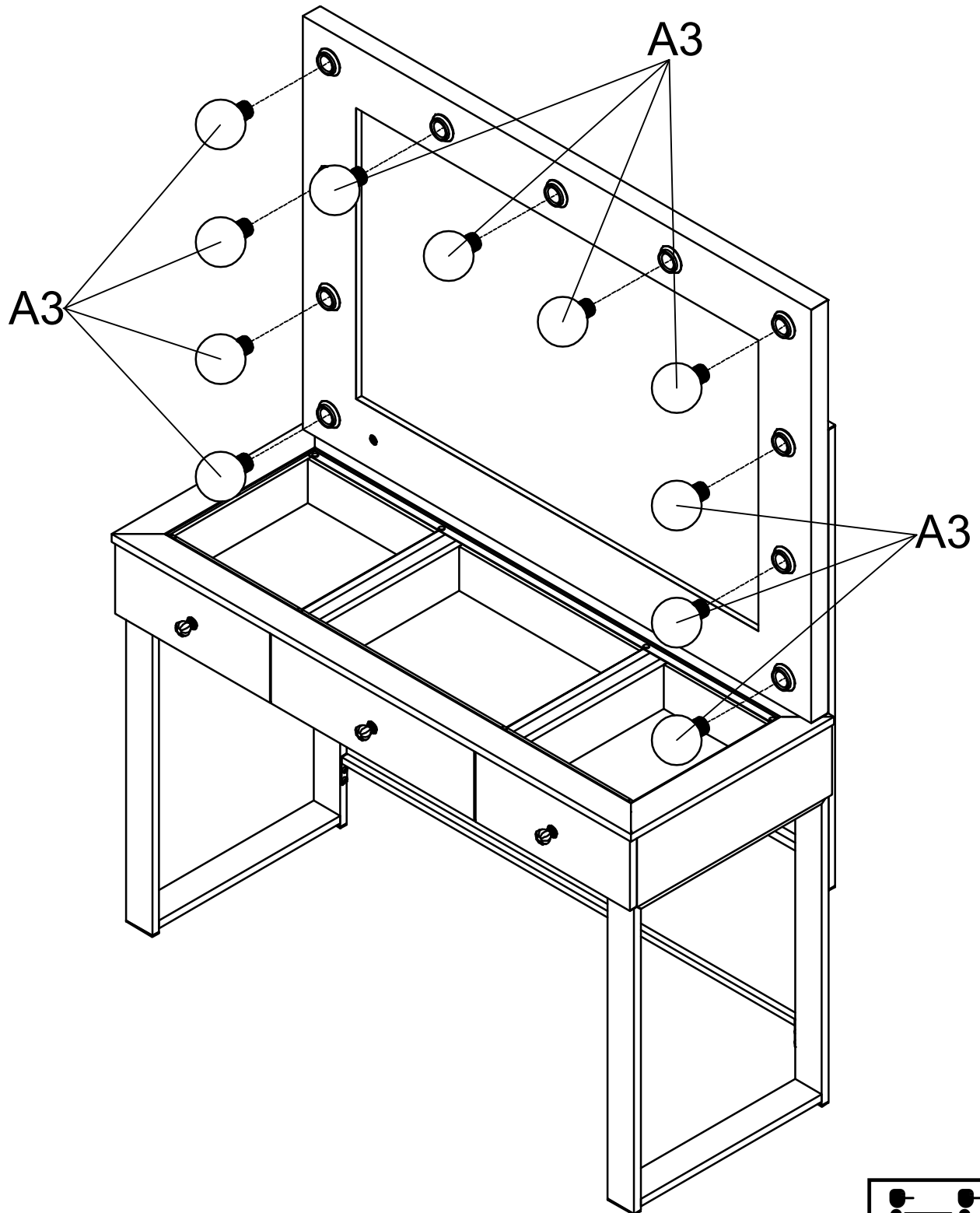
ITEM:935934
ASSEMBLY INSTRUCTIONS
STEP 13



ITEM:935934
ASSEMBLY INSTRUCTIONS



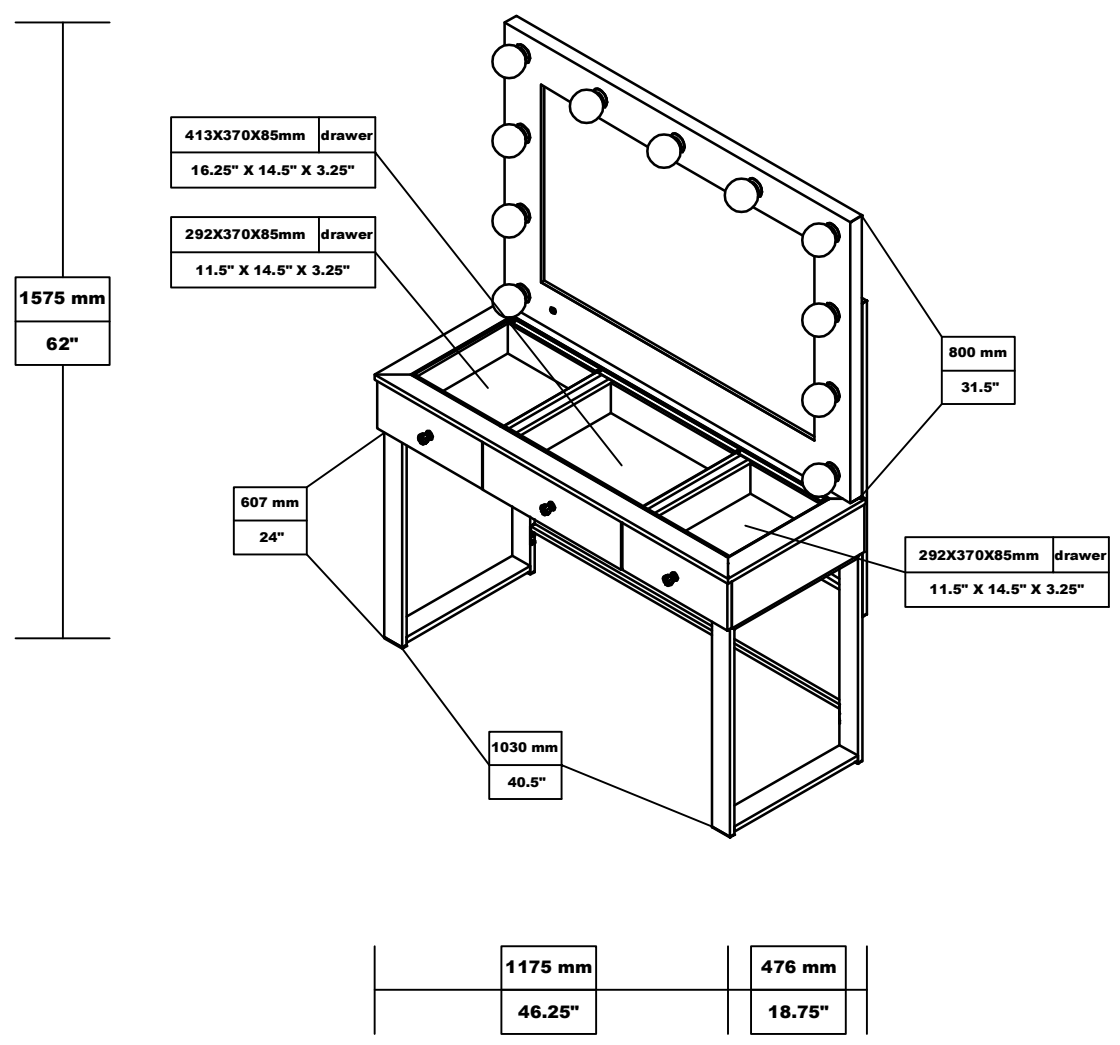
STEP 14
COMPLETE



ITEM:935934 ASSEMBLY INSTRUCTIONS



Product Size : 1175 X 476 X 1575 H (MM)
Product Size : 46.25" X 18.75" X 62"



Note : Dimension tolerance $\pm 5\%$

ITEM: **935934**



ANTI-TIPPING INSTALLMENT INSTRUCTIONS

FURNITURE TIPPING RESTRAINT

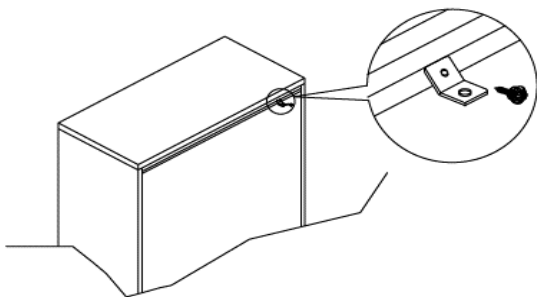
WARNING

Injury may result from tipping furniture.
This restraint may protect against tipping furniture.
Do not allow children to climb on furniture.
This restraint is not a substitute for proper adult supervision.
Failure to detach this restraint before moving the furniture may result in injury and damage.

This tip restraint must be attached to a wall stud using long screw enclosed.

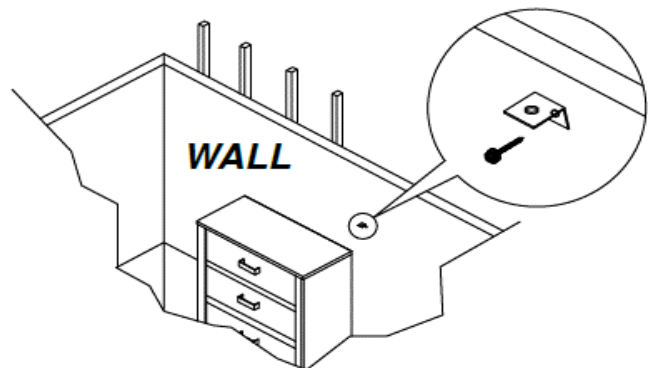
STEP 1

Attach a bracket securely to the back top rail of the furniture using short screw provided, through the smaller hole.



STEP 2

Locate the other bracket on the wall over a plastic wall stud and two inches below the mounting bracket secured to the back of the furniture. Attach the wall stud using the long screw provided, through the smaller hole.



STEP 3

Place the furniture into position so both mounting brackets are vertically in line. Lace the end of the restraint strap through the larger hole in each mounting bracket. Bring both ends together and slide the flat end through the locking end and draw it through until all slack is removed. Confirm that the strap is securely laced and locked.

