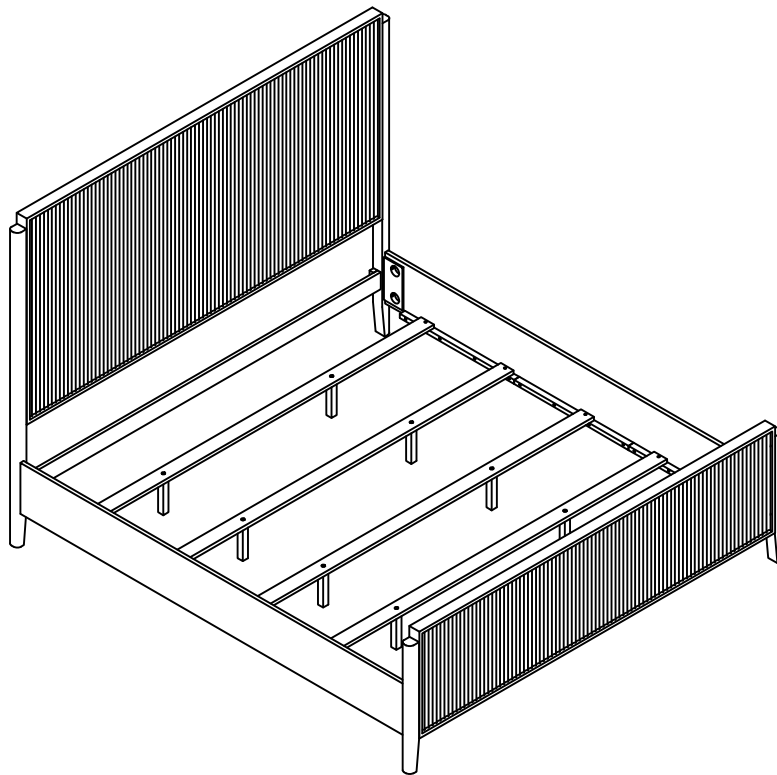


**ASSEMBLY INSTRUCTIONS**  
**COASTER FINE FURNITURE**



*Fine Furniture for every stage of life*

**224711KE(B1-B3)**  
**Eastern King Bed**

# ITEM: 224711KE(B1-B3)



## ASSEMBLY INSTRUCTIONS

### ASSEMBLY TIPS:

1. Remove hardware from box and sort by size.
2. Please check to see that all hardware and parts are present prior to start of assembly.
3. Please follow attached instructions in the same sequence as numbered to assure fast & easy assembly.



### WARNING!

1. Don't attempt to repair or modify parts that are broken or defective. Please contact the store immediately.
2. This product is for home use only and not intended for commercial establishments.

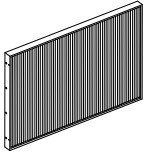


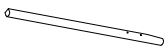


ASSEMBLY TIME

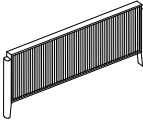
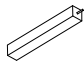


30 MINUTES

## PARTS IDENTIFICATION

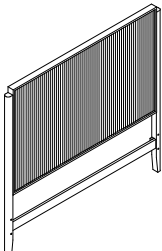
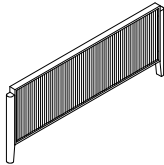
### B1 (BOX 1)

A	HEADBOARD PANEL		1PC	C	LEFT HEADBOARD LEG		1PC
B	HEADBOARD BOTTOM RAIL		1PC	D	RIGHT HEADBOARD LEG		1PC

### B2 (BOX 2)

E	FOOTBOARD		1PC	H	BED SLAT SUPPORT WITH LEVELER		8PCS
F	BED RAIL		2PCS	G	BED SLAT		4PCS

### B3 (BOX 3)

HB	224711KE (B1) FROM BOX 1 HEADBOARD COMPLETE		1PC	FB	224711KE (B2) FROM BOX 2 FOOTBOARD COMPLETE		1PC
----	---	---	-----	----	---	---	-----

### NOTE:

Phillips head screw driver is required in the assembly process; however, manufacturer does not provide this item.

# ITEM: 224711KE(B1-B3)



## ASSEMBLY INSTRUCTIONS

### ASSEMBLY TIPS:

1. Remove hardware from box and sort by size.
2. Please check to see that all hardware and parts are present prior to start of assembly.
3. Please follow attached instructions in the same sequence as numbered to assure fast & easy assembly.

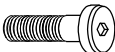





### WARNING!


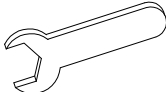



1. Don't attempt to repair or modify parts that are broken or defective. Please contact the store immediately.
2. This product is for home use only and not intended for commercial establishments.

## HARDWARE IDENTIFICATION

### Z-B1 (BOX 1) - HARDWARE PACK IS LOCATED IN 224711KE (B1)

1	<b>BOLT</b> (5/16" x 38mm - BLK)		10PCS	3	<b>FLAT WASHER</b> (5/16" x 19 x 1.5mm - BLK)		10PCS
2	<b>LOCK WASHER</b> (5/16" - BLK)		10PCS	4	<b>ALLEN WRENCH</b> (4MM - BLK)		1PC

### Z-B3 (BOX 3) - HARDWARE PACK IS LOCATED IN 224711KE (B3)

5	<b>THREADED BOLT</b> (5/16" x 75mm - RBW)		8PCS	8	<b>WRENCH</b> (13MM - RBW)		1PC
6	<b>U-SQUARE WASHER</b> (25 x 15 x 2mm - RBW)		8PCS	9	<b>FLAT HEAD SCREW</b> (4 x 32mm - RBW)		8PC
7	<b>HEX NUT</b> (5/16" x 17mm - RBW)		8PCS				

### NOTE:

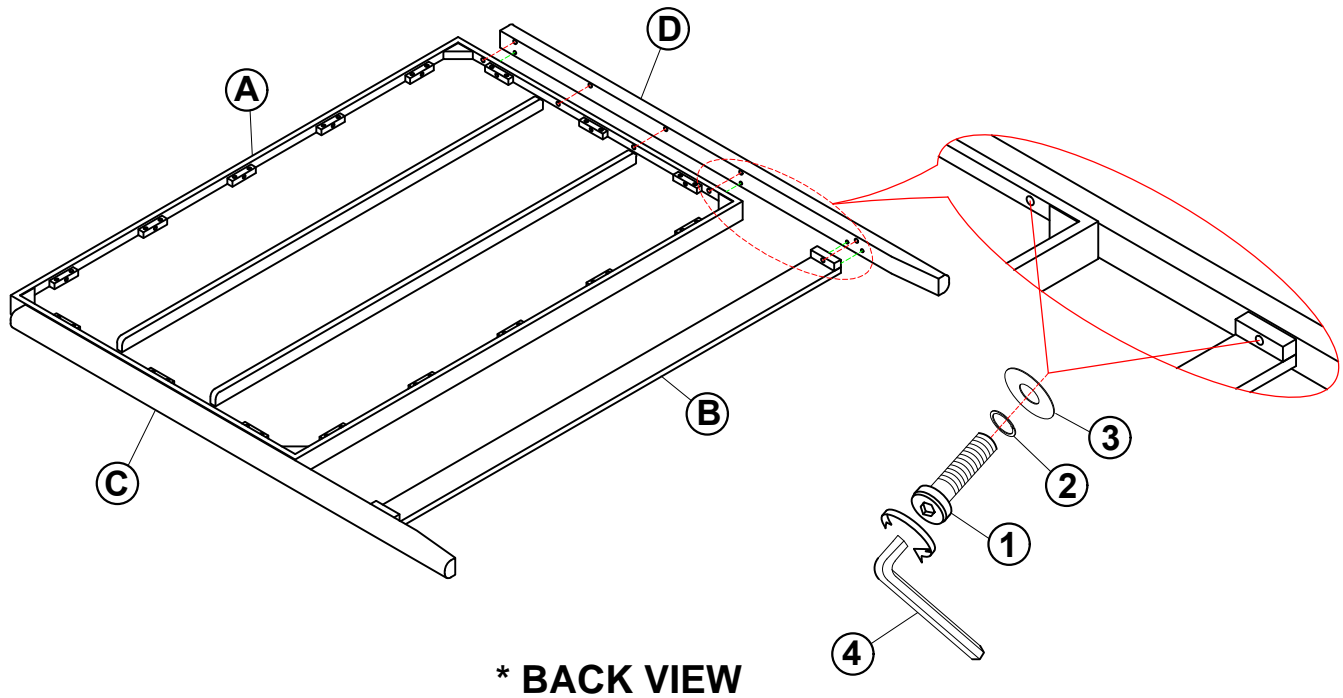
Phillips head screw driver is required in the assembly process; however, manufacturer does not provide this item.

# ITEM: 224711KE(B1-B3)

## ASSEMBLY INSTRUCTIONS

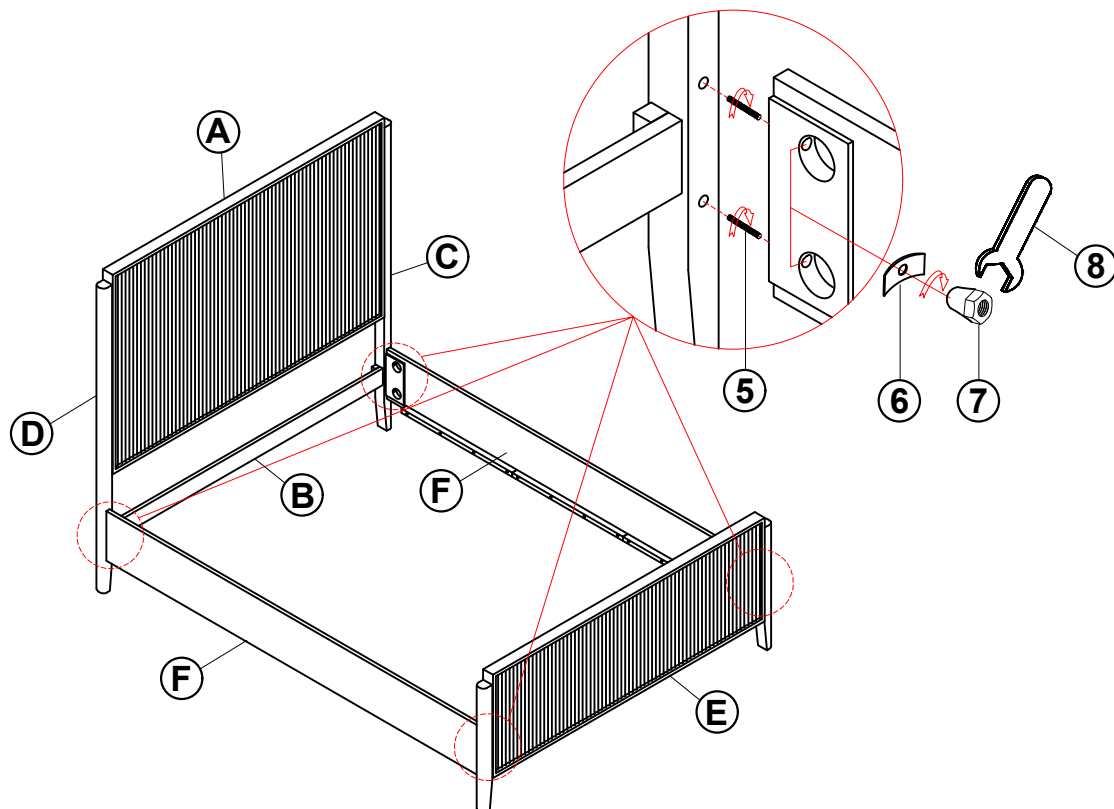


### STEP 1



\* BACK VIEW

### STEP 2

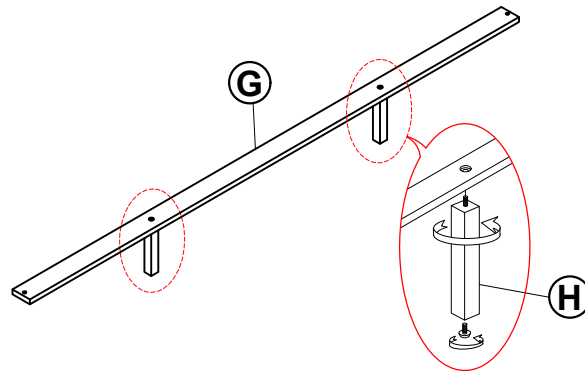


ITEM: **224711KE(B1-B3)**

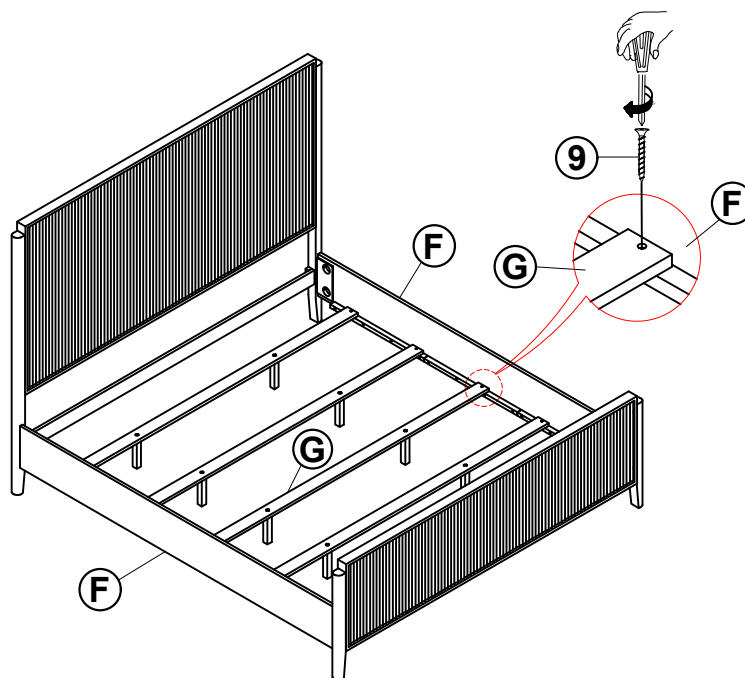
**ASSEMBLY INSTRUCTIONS**



**STEP 3**

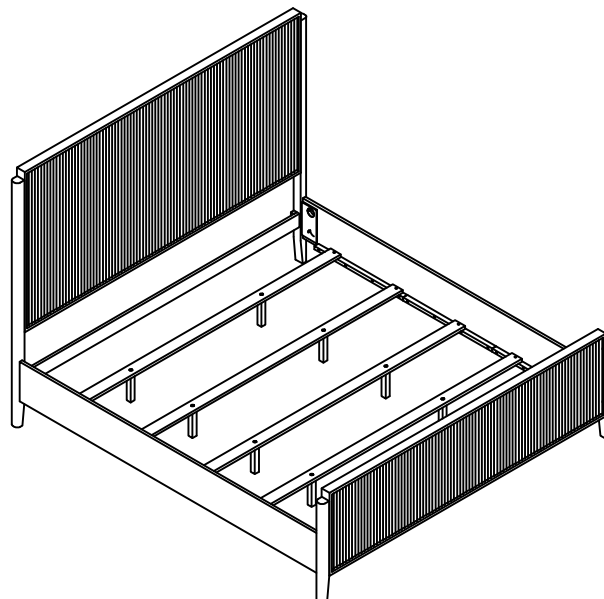


**STEP 4**



**STEP 5**

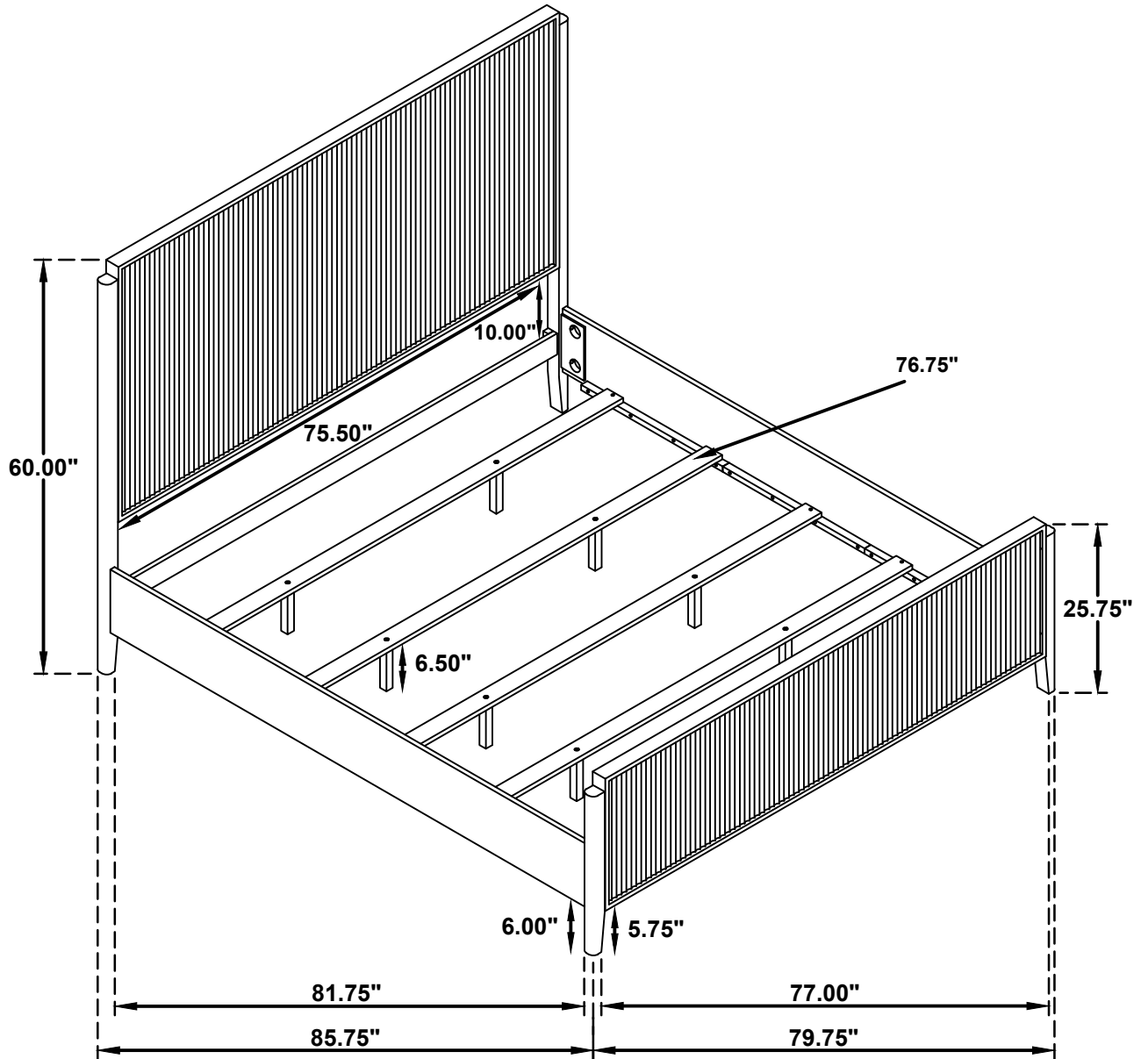
**COMPLETE**



ITEM: **224711KE(B1-B3)**



Inner Size : 81.00"W x 76.75"D



Note : Dimension tolerance  $\pm 5\%$