



ASSEMBLY INSTRUCTIONS
COASTER FINE FURNITURE



Fine Furniture for every stage of life

106340
Dining Table

REVISION 0: 11/16/2020
REVISION 1: 08/31/2022
REVISION 2: 09/12/2023

PAGE 1 OF 5

COASTERFURNITURE.COM

ITEM: 106340



ASSEMBLY INSTRUCTIONS

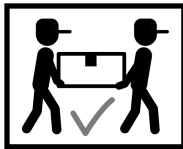
ASSEMBLY TIPS:

1. Remove hardware from box and sort by size.
2. Please check to see that all hardware and parts are present prior to start of assembly.
3. Please follow attached instructions in the same sequence as numbered to assure fast & easy assembly.



WARNING!

1. Don't attempt to repair or modify parts that are broken or defective. Please contact the store immediately.
2. This product is for home use only and not intended for commercial establishments.

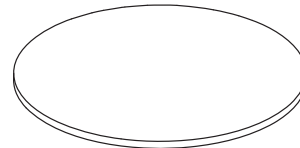


ASSEMBLY TIME 15 MINUTES

PARTS IDENTIFICATION

B1: TOP

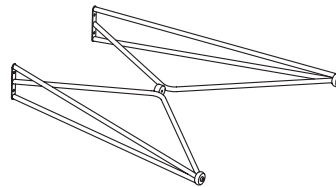
A TOP



1PC

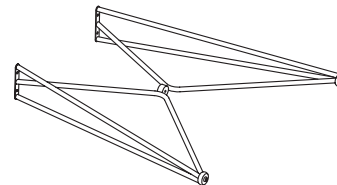
B2: BASE

B LOWER LEG





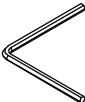
1PC



C UPPER LEG



1PC

HARDWARE IDENTIFICATION

1	LONG BOLT (1/4" x 3/4" BLK)		1PC
2	SHORT BOLT (1/4" x 5/8" BLK)		8PCS
3	ALLEN WRENCH (4mm)		1PC

4	SPRING WASHER (1/4")		9PCS
5	WASHER (1/4")		9PCS

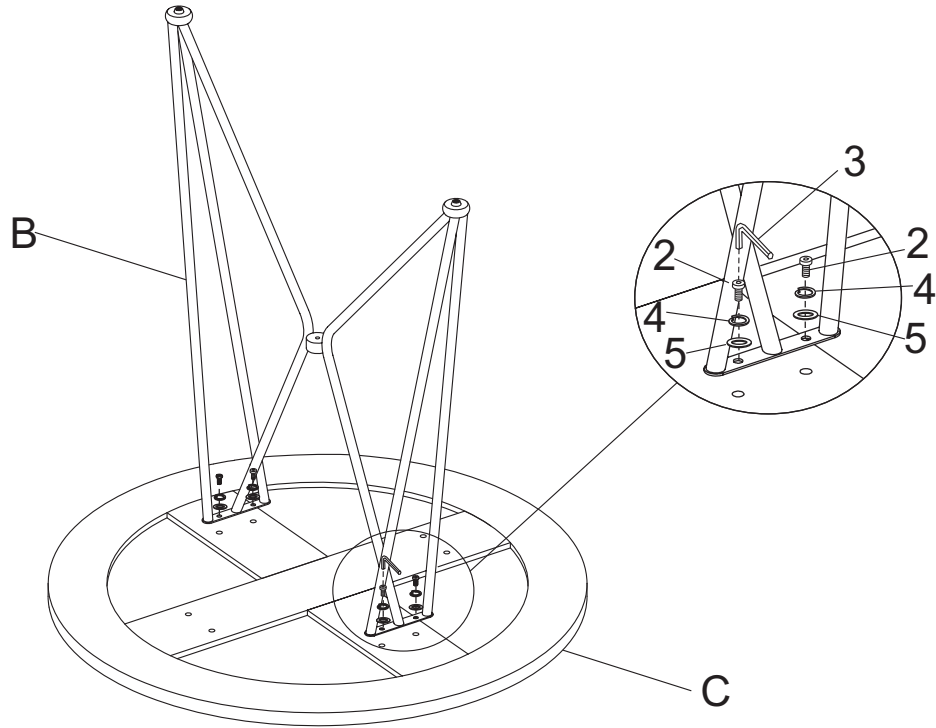
HARDWARE PACK IS LOCATED IN 106340(B2)

ITEM:106340

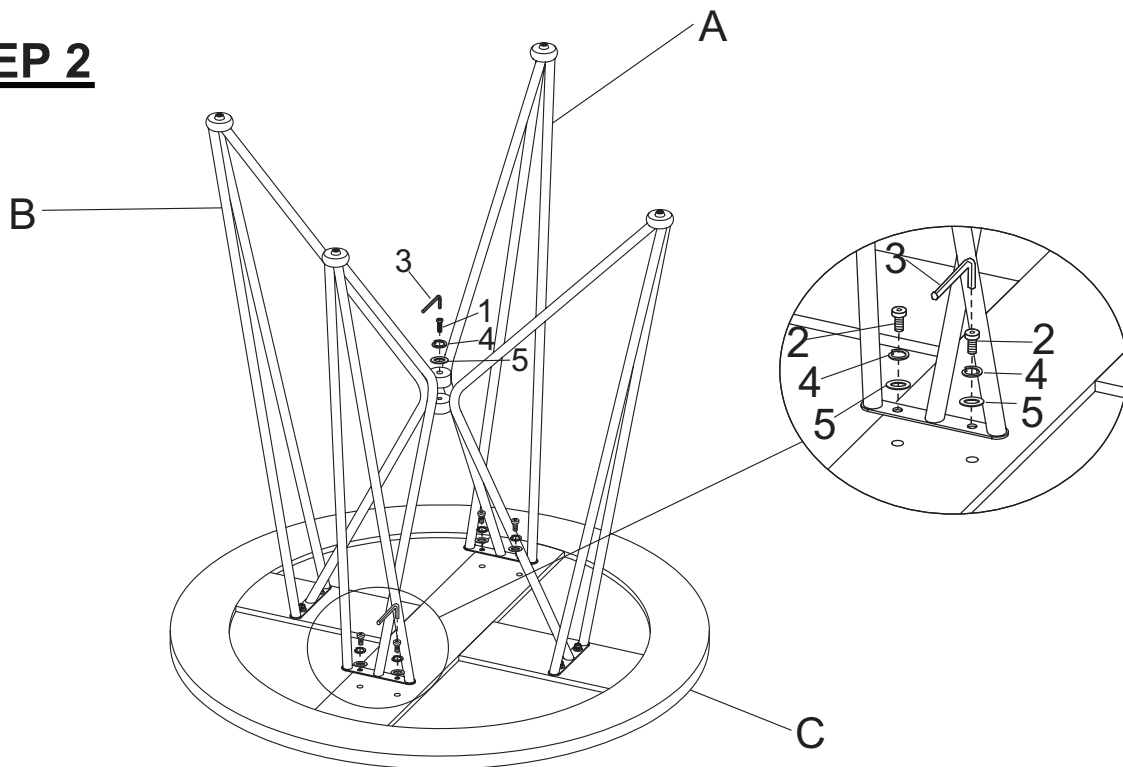


ASSEMBLY INSTRUCTIONS

STEP 1



STEP 2

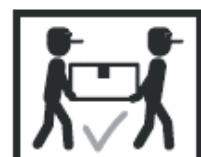


ITEM:106340



ASSEMBLY INSTRUCTIONS

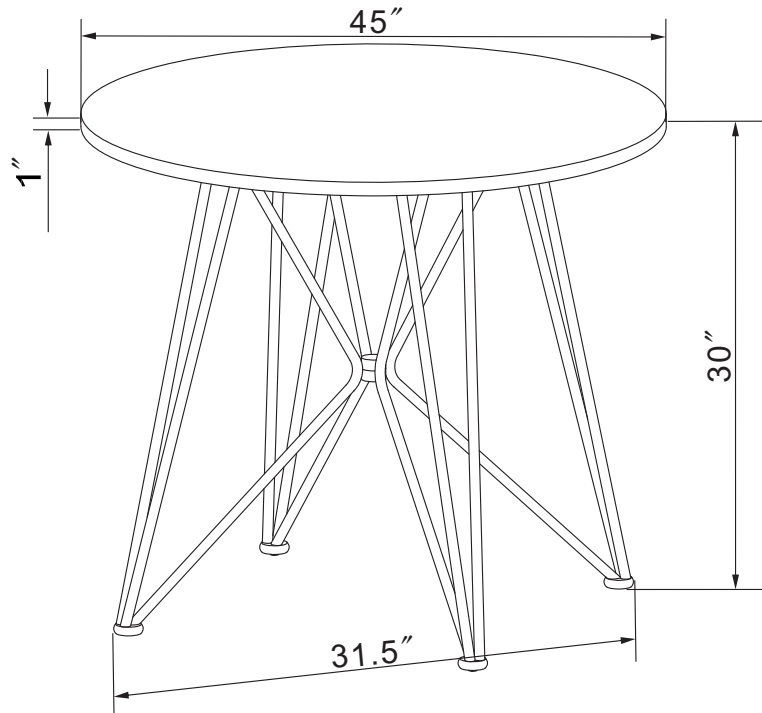
STEP 3



ITEM:106340



ASSEMBLY INSTRUCTIONS



Note:Dimension Tolerance $\pm 5\%$

