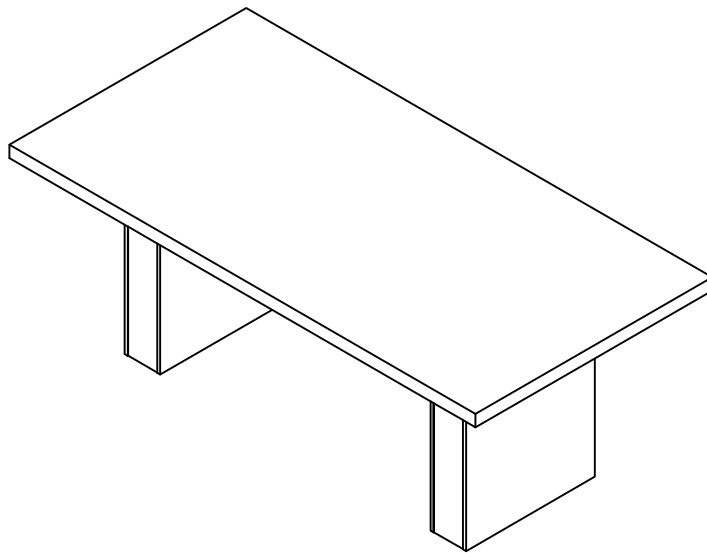




ASSEMBLY INSTRUCTIONS COASTER FINE FURNITURE



Fine Furniture for every stage of life

106651
Dining Table

ITEM: 106651(B1-B2)



ASSEMBLY INSTRUCTIONS

ASSEMBLY TIPS:

1. Remove hardware from box and sort by size.
2. Please check to see that all hardware and parts are present prior to start of assembly.
3. Please follow attached instructions in the same sequence as numbered to assure fast & easy assembly.



WARNING!

1. Don't attempt to repair or modify parts that are broken or defective. Please contact the store immediately.
2. This product is for home use only and not intended for commercial establishments.



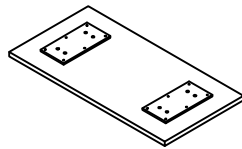
ASSEMBLY TIME

30 MINUTES

PARTS IDENTIFICATION

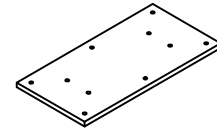
B1 (BOX1)

A TOP



1PC

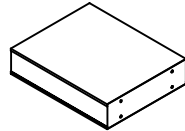
B MOUNTING PLATE



2PC

B2 (BOX2)

C PEDESTAL



2PCS

Z

HARDWARE IDENTIFICATION

1

ALLEN WRENCH
(5MM - BLK)



1PC

3

LOCK WASHER
(Ø5/16" -BLK)



20PCS

2

ALLEN BOLT
(Ø5/16 x 1-1/2" - BLK)



20PCS

4

FLAT WASHER
(Ø5/16" x 19MM- BLK)



20PCS

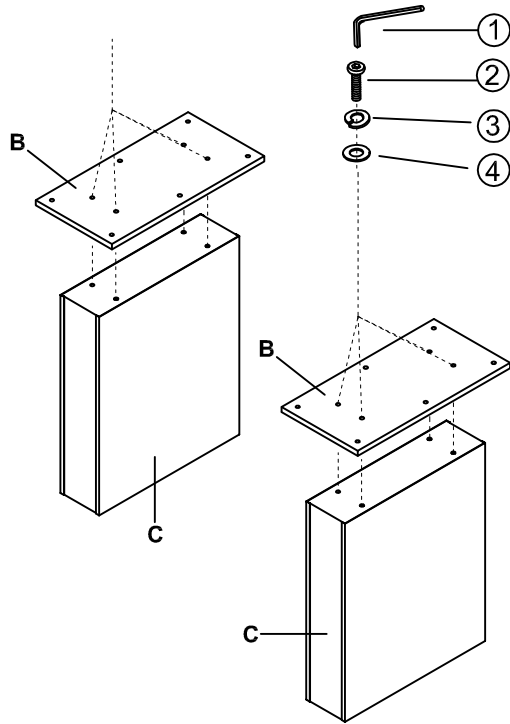
Hardware pack is located in 106651B1

ITEM: 106651(B1-B2)

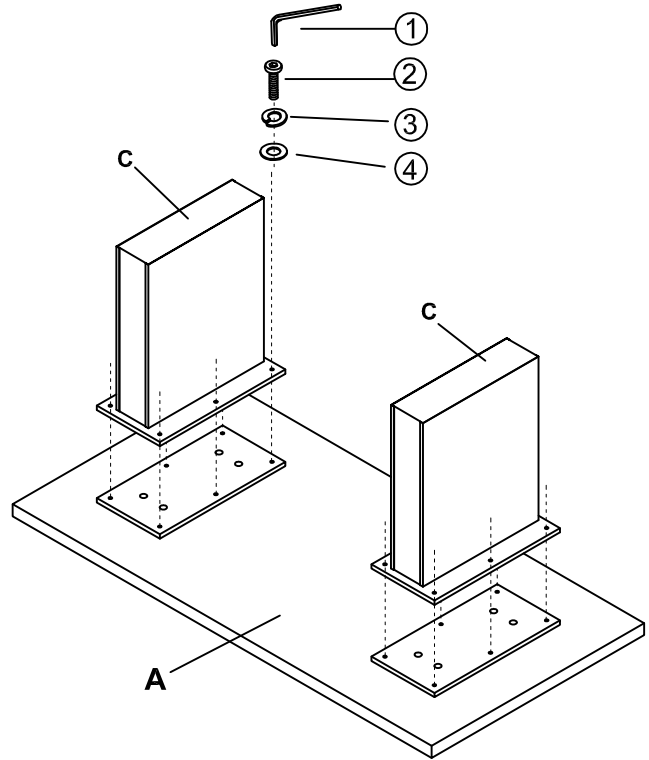


ASSEMBLY INSTRUCTIONS

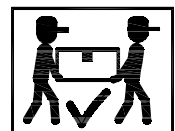
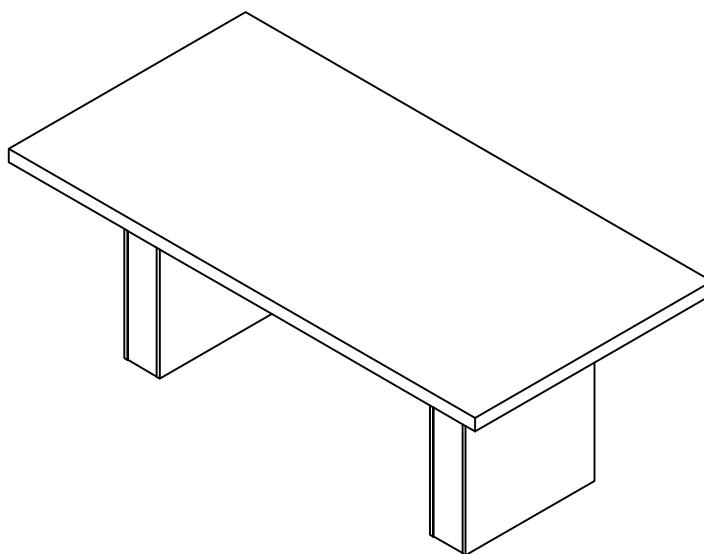
STEP 1



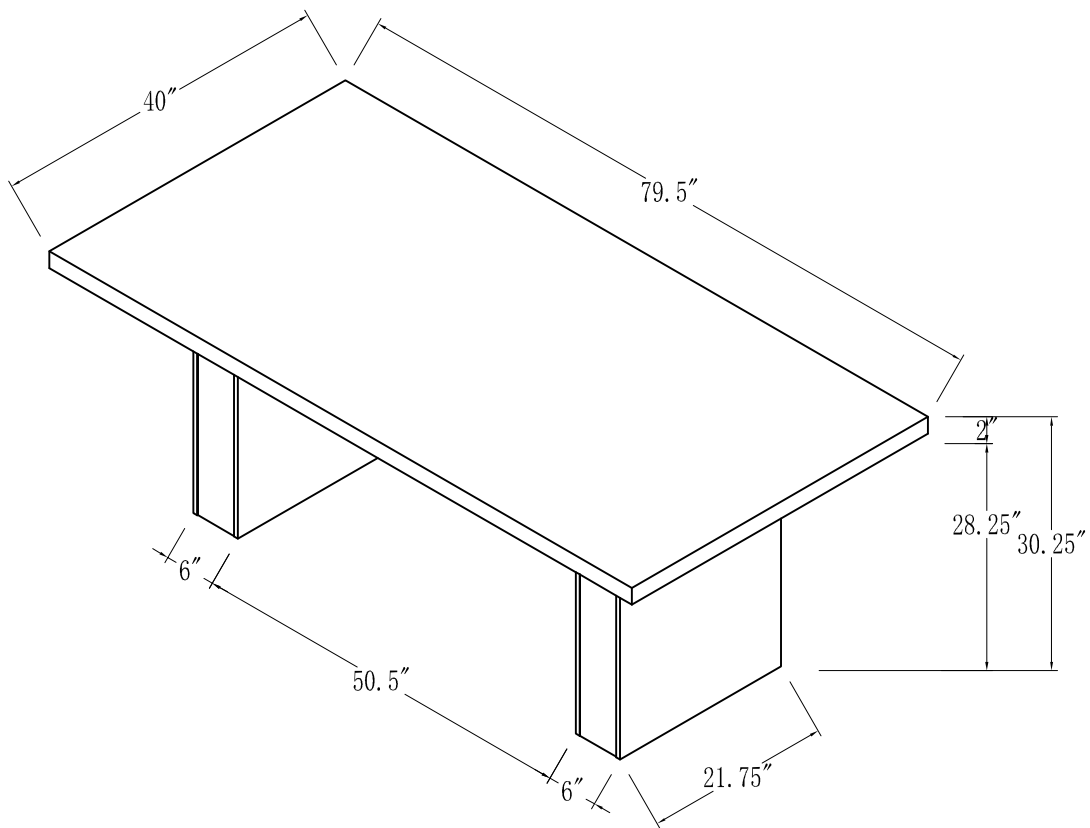
STEP 2



STEP 3 COMPLETE



ITEM: 106651(B1-B2)



Note : Dimension tolerance $\pm 5\%$