



# ASSEMBLY INSTRUCTIONS COASTER FINE FURNITURE



**182160**  
**BAR STOOL**

REVISION 0:04/21/2021  
REVISION 1:08/23/2022  
REVISION 2:02/16/2023  
REVISION 3:10/26/2023

**PAGE 1 OF 4**

COASTERFURNITURE.COM

ITEM:182160



## ASSEMBLY INSTRUCTIONS

### ASSEMBLY TIPS:

1. Remove hardware from box and sort by size.
2. Please check to see that all hardware and parts are present prior to start of assembly.
3. Please follow attached instructions in the same sequence as numbered to assure fast & easy assembly.

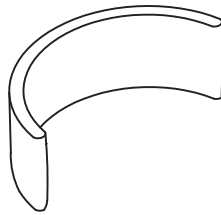


### WARNING!

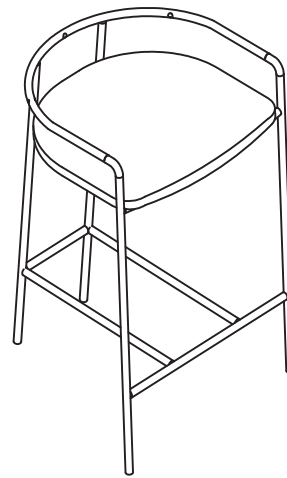
1. Don't attempt to repair or modify parts that are broken or defective. Please contact the store immediately.
2. This product is for home use only and not intended for commercial establishments.

**ASSEMBLY TIME**

**15 MINUTES**





A BACK 1PC



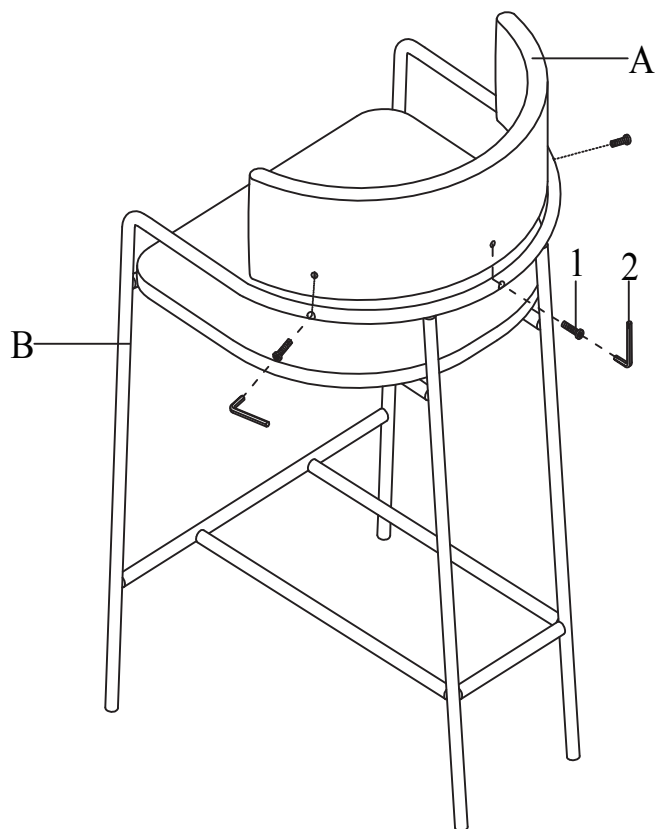
B SEAT FRAME 1PC

## HARDWARE IDENTIFICATION

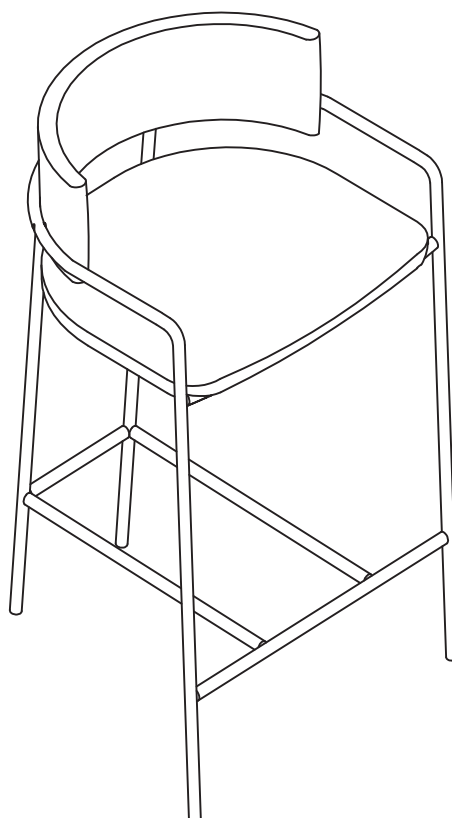
Z	HARDWARE NAME	FIGURE	QTY
1	BOLT	 M6*25	3PCS
2	ALLEN WRENCH	 M4	1PC

ITEM:182160  
ASSEMBLY INSTRUCTIONS

STEP 1

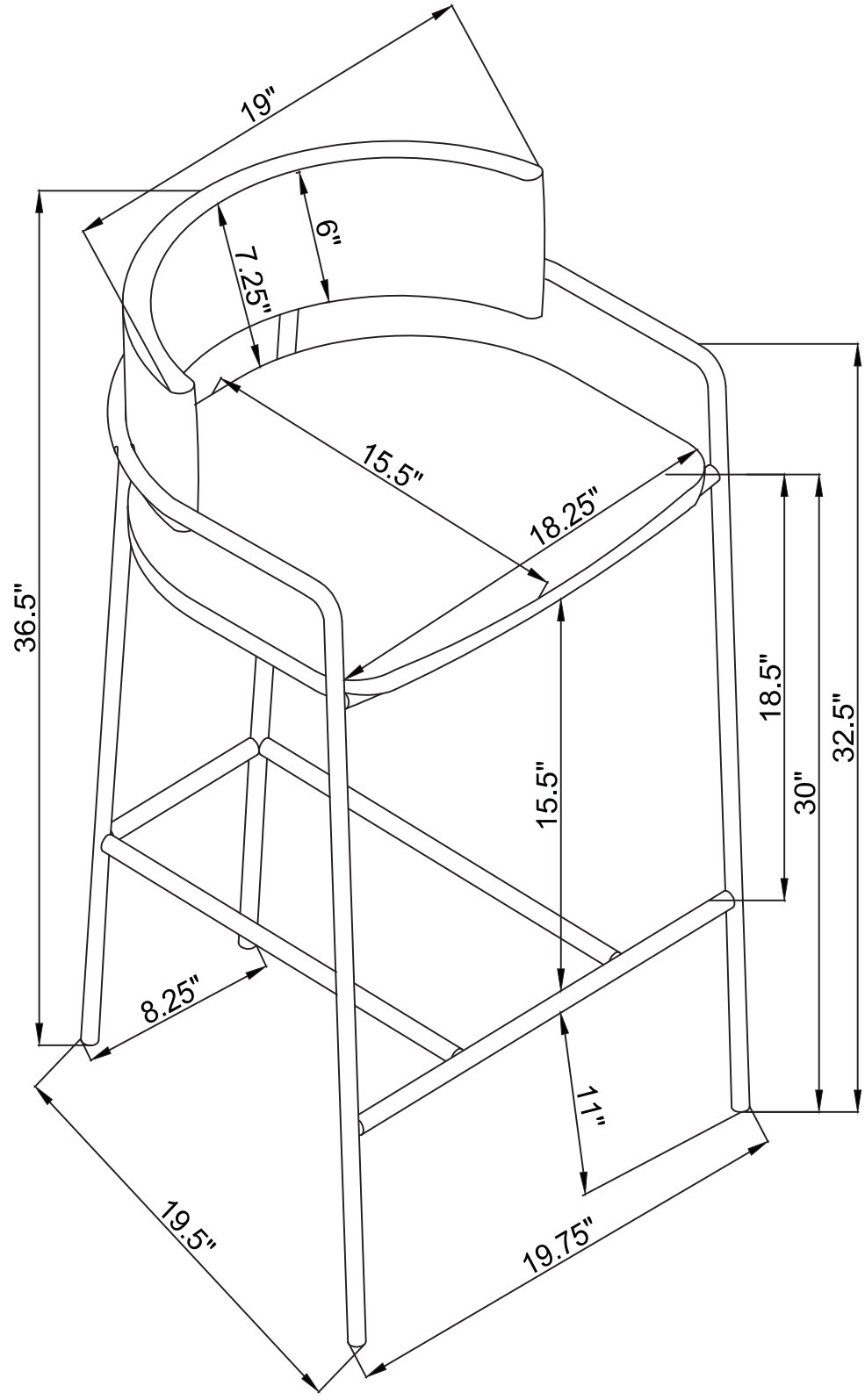


STEP 2



ITEM:182160

ASSEMBLY INSTRUCTIONS



COASTERFURNITURE.COM