



*ASSEMBLY INSTRUCTIONS  
COASTER FINE FURNITURE*



*Fine Furniture for every stage of life*

**509903**  
**ACCENT CHAIR**

ITEM: **509903**



## ASSEMBLY INSTRUCTIONS

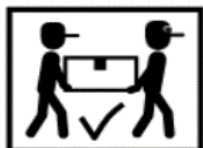
### ASSEMBLY TIPS:

1. Remove hardware from box and sort by size.
2. Please check to see that all hardware and parts are present prior to start of assembly.
3. Please follow attached instructions in the same sequence as numbered to assure fast & easy assembly.



### WARNING!

1. Don't attempt to repair or modify parts that are broken or defective. Please contact the store immediately.
2. This product is for home use only and not intended for commercial establishments.



ASSEMBLY TIME

15 MINUTES

## PARTS IDENTIFICATION

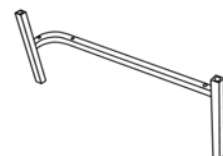
A CHAIR



1PC

B

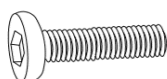
LEG



2PCS

## HARDWARE IDENTIFICATION

1 BOLT  
M8x50MM



8PCS

3 FLAT WASHER  
M8x22x2MM



8PCS

2 LOCK WASHER  
M8



8PCS

4 ALLEN WRENCH  
5MM

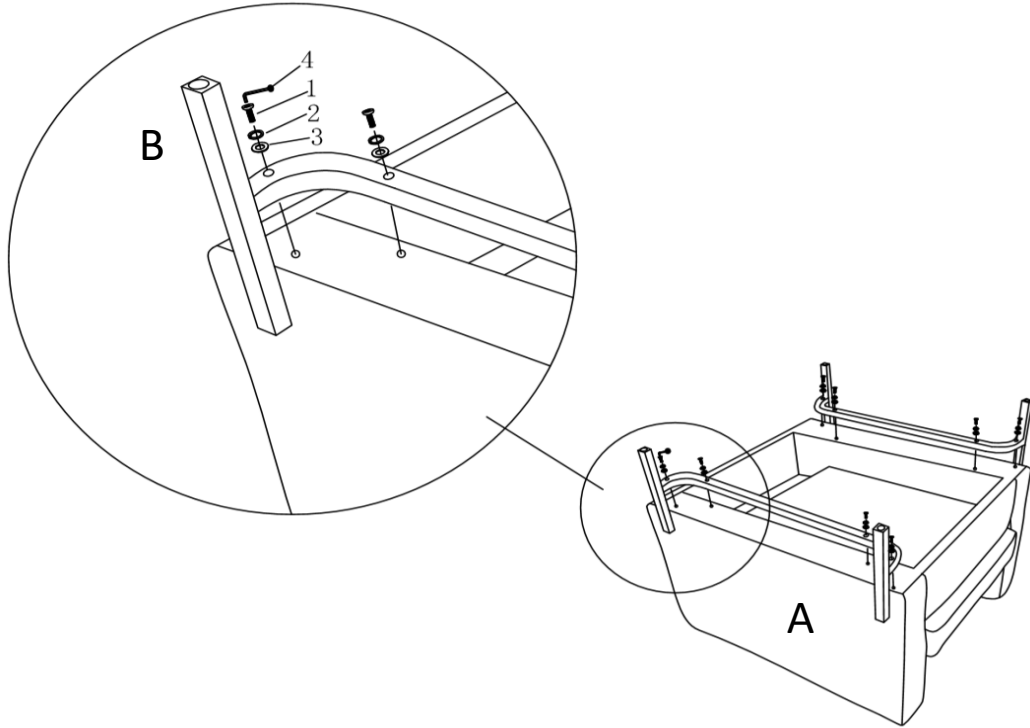


1PC

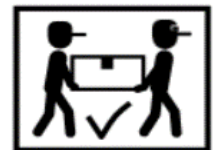
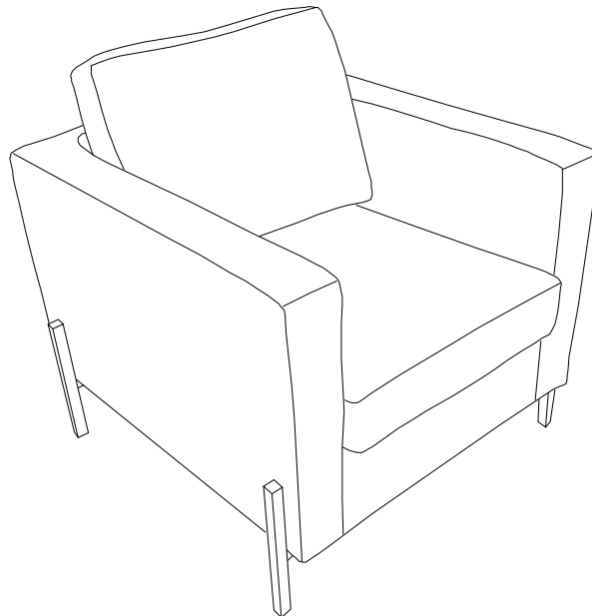
ITEM: **509903**



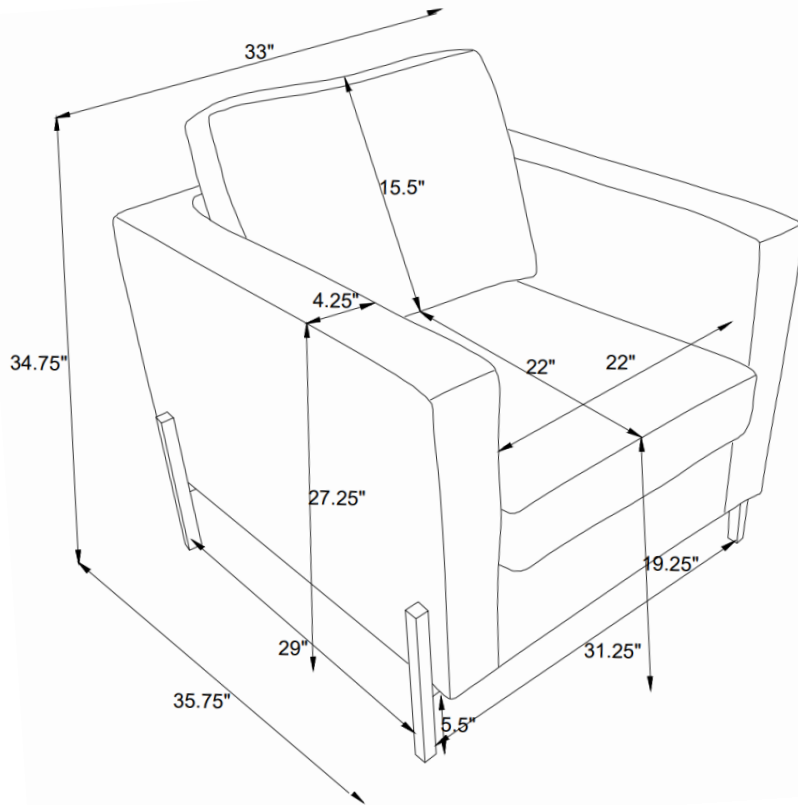
**ASSEMBLY INSTRUCTIONS**  
**STEP 1**



**STEP 2**



# PRODUCT/PART DIMENSIONS



**Note:** Dimension tolerance  $\pm 5\%$