



ASSEMBLY INSTRUCTIONS
COASTER FINE FURNITURE



Fine Furniture for every stage of life

509905
LOVESEAT

ITEM: **509905**



ASSEMBLY INSTRUCTIONS

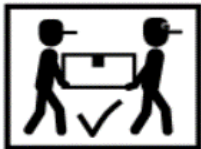
ASSEMBLY TIPS:

1. Remove hardware from box and sort by size.
2. Please check to see that all hardware and parts are present prior to start of assembly.
3. Please follow attached instructions in the same sequence as numbered to assure fast & easy assembly.



WARNING!

1. Don't attempt to repair or modify parts that are broken or defective. Please contact the store immediately.
2. This product is for home use only and not intended for commercial establishments.

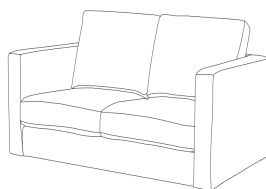


ASSEMBLY TIME

15 MINUTES

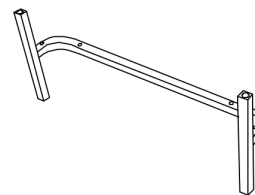
PARTS IDENTIFICATION

A LOVESEAT



1PC

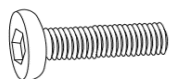
B LEG



2PCS

HARDWARE IDENTIFICATION

**1 BOLT
M8x50MM**



8PCS

**3 FLAT WASHER
M8x22x2MM**



8PCS

**2 LOCK WASHER
M8**



8PCS

**4 ALLEN WRENCH
5MM**



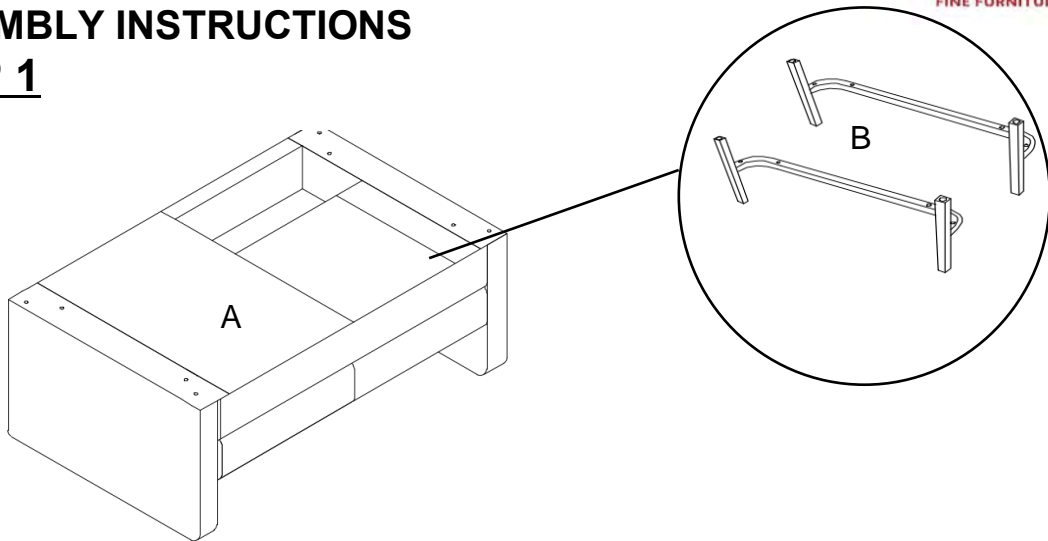
1PC

ITEM: **509905**

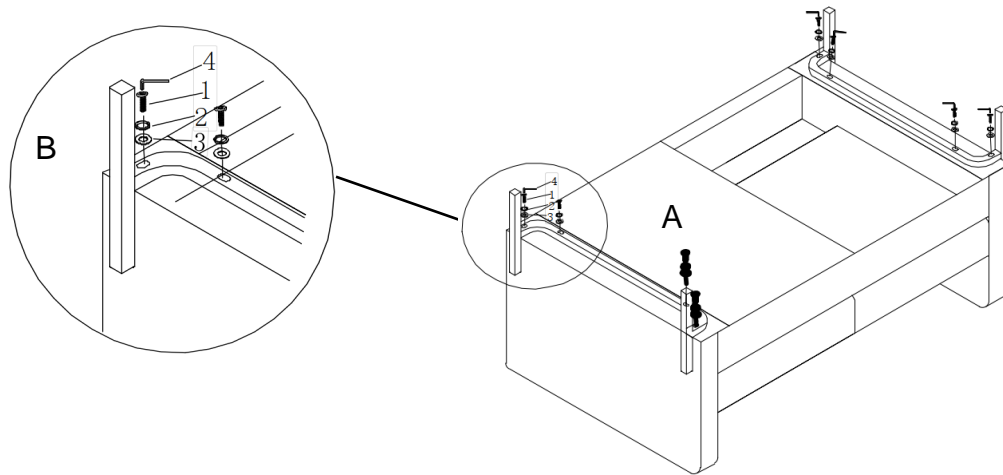


ASSEMBLY INSTRUCTIONS

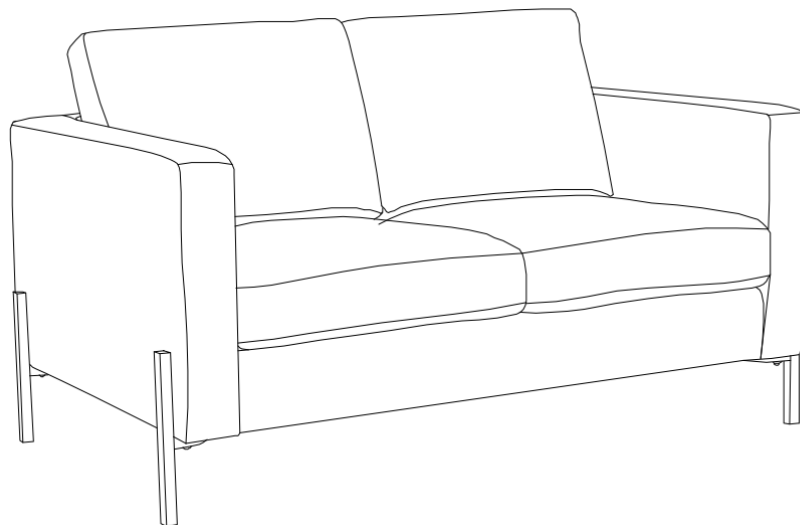
STEP 1



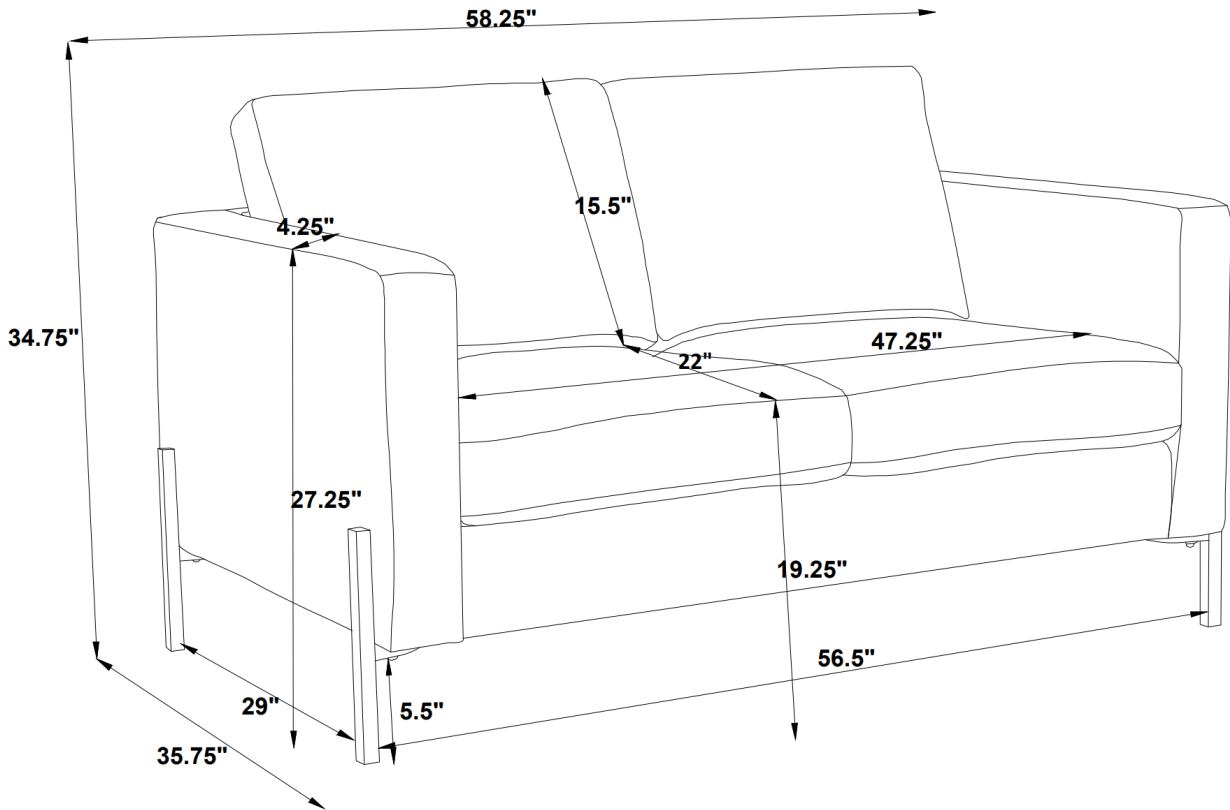
STEP 2



STEP 3



PRODUCT/PART DIMENSIONS



Note: Dimension tolerance $\pm 5\%$