

## ASSEMBLY INSTRUCTIONS COASTER FINE FURNITURE



Fine Furniture for every stage of life

# 551302 ARMLESS CHAIR

REVISION 0 : 05/03/2019  
REVISION 1 : 05/28/2021  
REVISION 2 : 07/22/2022  
REVISION 3 : 10/20/2023

# ITEM: 551302



## ASSEMBLY INSTRUCTIONS

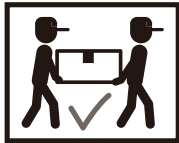
### ASSEMBLY TIPS:

1. Remove hardware from box and sort by size.
2. Please check to see that all hardware and parts are present prior to start of assembly.
3. Please follow attached instructions in the same sequence as numbered to assure fast & easy assembly.



### WARNING!

1. Don't attempt to repair or modify parts that are broken or defective. Please contact the store immediately.
2. This product is for home use only and not intended for commercial establishments.



ASSEMBLY TIME

30 MINUTES

## PARTS IDENTIFICATION

A

ARMLESS CHAIR



1PC

B

LEG



4PCS

## HARDWARE IDENTIFICATION

Z01

ALLEN WRENCH  
(D 5mm - BLK)



1PC

Z03

WASHER  
(10 x 25mm - BLK)



8PCS

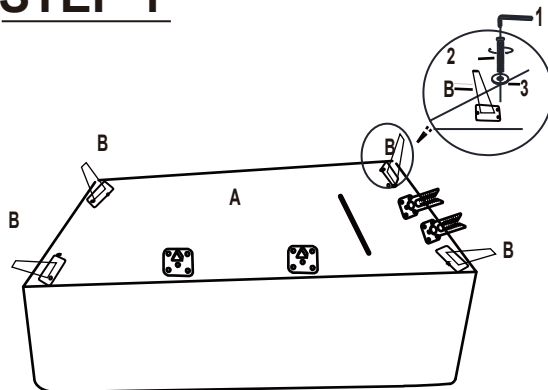
Z02

BOLT  
(8 x 30mm - BLK)

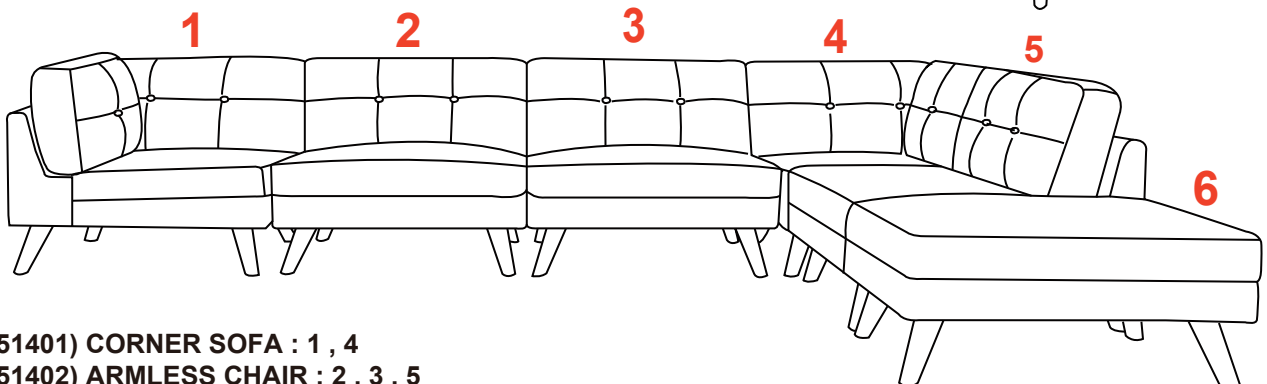
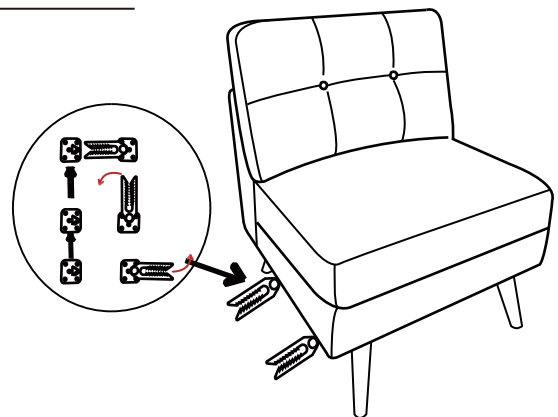


8PCS

### STEP 1



### STEP 2



(551401) CORNER SOFA : 1 , 4

(551402) ARMLESS CHAIR : 2 , 3 , 5

(551403) OTTOMAN : 6

ITEM: 551302



ASSEMBLY INSTRUCTIONS

PRODUCT DIMENSION (Note: Dimension tolerance  $\pm 5\%$  )

