



## ASSEMBLY INSTRUCTIONS COASTER FINE FURNITURE



Fine Furniture for every stage of life

REVISION 0 : 07/09/2014  
REVISION 1: 05/28/2019  
REVISION 2: 11/01/2023

# 100056 29" Counter Height Stool

PAGE 1 OF 6

COASTERFURNITURE.COM

ITEM: 100056



# ASSEMBLY INSTRUCTIONS

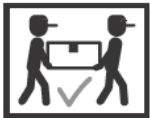
**ASSEMBLY TIPS:**

- 1. Remove hardware from box and sort by size.
- 2. Please check to see that all hardware and parts are present prior start of assembly.
- 3. Please follow attached instructions in the same sequence as numbered to assure fast & easy assembly.



**WARNING!**

- 1. Don't attempt to repair or modify parts that are broken or defective .Please contact the store immediately.
- 2. This product is for home use only and not intended for commercial establishment.



ASSEMBLY TIME

10 MINUTES

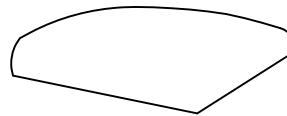
## PARTS IDENTIFICATION

(A) CHAIR BACK



1PC

(B) SEAT



1PC

(CL) LEFT SIDE FACING LEG



1PC

(CR) RIGHT SIDE FACING LEG



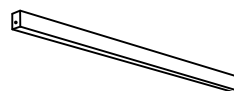
1PC

(DL) LEFT SIDE STRETCHER



1PC

(DR) RIGHT SIDE STRETCHER




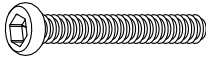


1PC

(E) FRONT STRETCHER



1PC

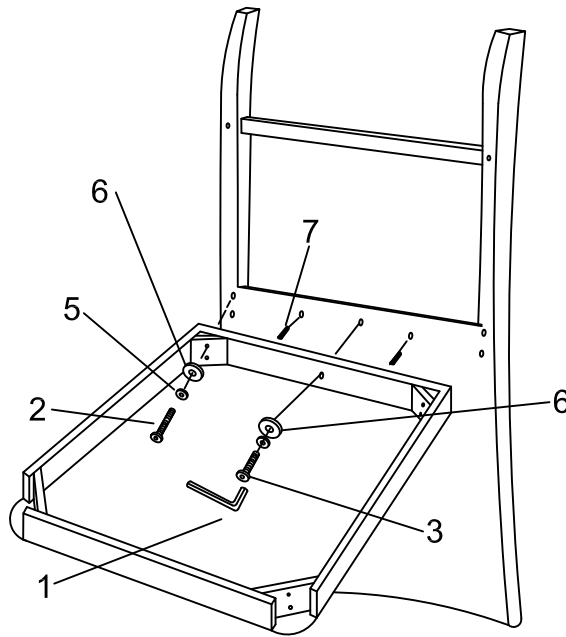
## HARDWARE IDENTIFICATION

1	ALLEN WRNECH 5mm		1pc
2	LONG BOLT (82mm)		4 pcs
3	MEDIUM BOLT (70mm)		1pc
4	SMALL BOLT (57mm)		4 pcs
5	LOCK WASHER 5/16"		9 pcs
6	FLAT WASHER 5/16X22mm		9 pcs
7	WOOD DOWELS 10X30mm		6 pcs
8	SCREW(38)mm		6 pcs
9	GLUE		1pc

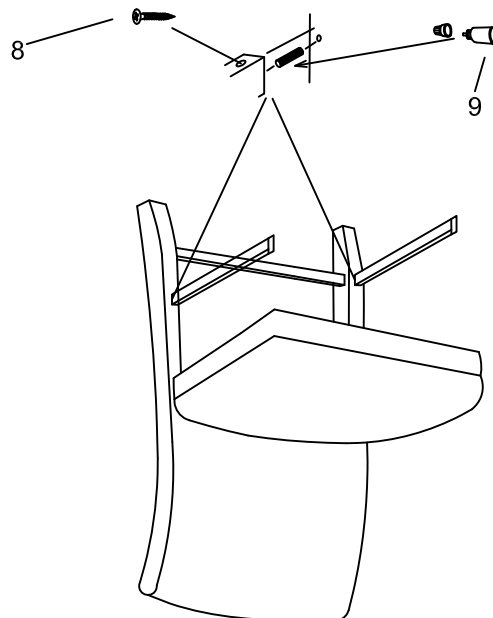
### NOTE :

Quantities shown are for one stool.

ITEM: 100056  
ASSEMBLY INSTRUCTIONS  
STEP 1



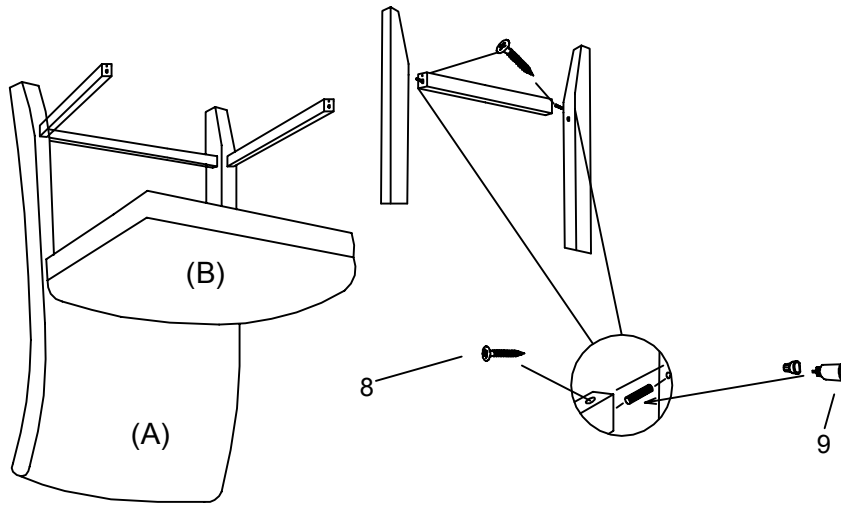
STEP 2



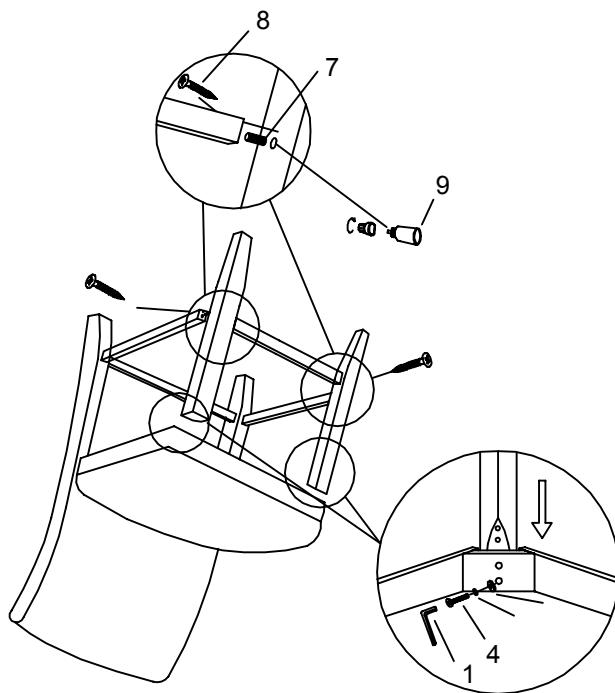
ITEM:100056

# ASSEMBLY INSTRUCTIONS

## STEP 3



## STEP 4



ITEM: 100056

# ASSEMBLY INSTRUCTIONS

## STEP 5

