



*ASSEMBLY INSTRUCTIONS*  
*COASTER FINE FURNITURE*



*Fine Furniture for every stage of life*

**509904**  
**SOFA**

ITEM: **509904**



## ASSEMBLY INSTRUCTIONS

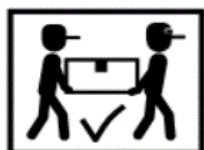
### ASSEMBLY TIPS:

1. Remove hardware from box and sort by size.
2. Please check to see that all hardware and parts are present prior to start of assembly.
3. Please follow attached instructions in the same sequence as numbered to assure fast & easy assembly.



### WARNING!

1. Don't attempt to repair or modify parts that are broken or defective. Please contact the store immediately.
2. This product is for home use only and not intended for commercial establishments.

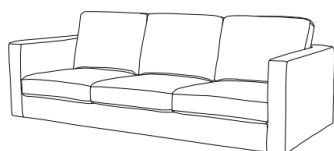


**ASSEMBLY TIME**

**15 MINUTES**

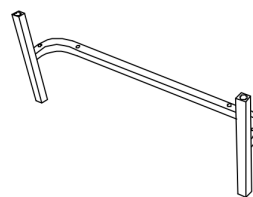
## PARTS IDENTIFICATION

A SOFA



1PC

C LEG



2PCS

B MIDDLE LEG

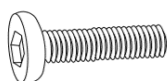


1PC

## HARDWARE IDENTIFICATION

1

**BOLT**  
M8x50MM



8PCS

3

**FLAT WASHER**  
M8x22x2MM



8PCS

2

**LOCK WASHER**  
M8



8PCS

4

**ALLEN WRENCH**  
5MM

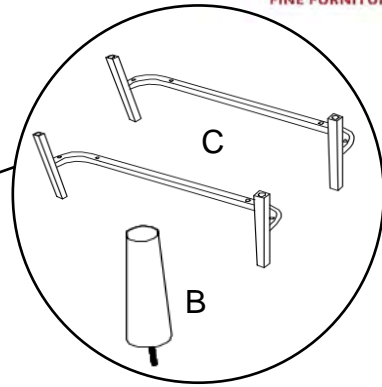
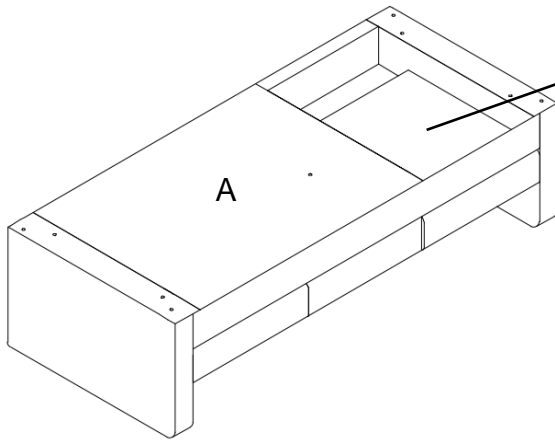


1PC

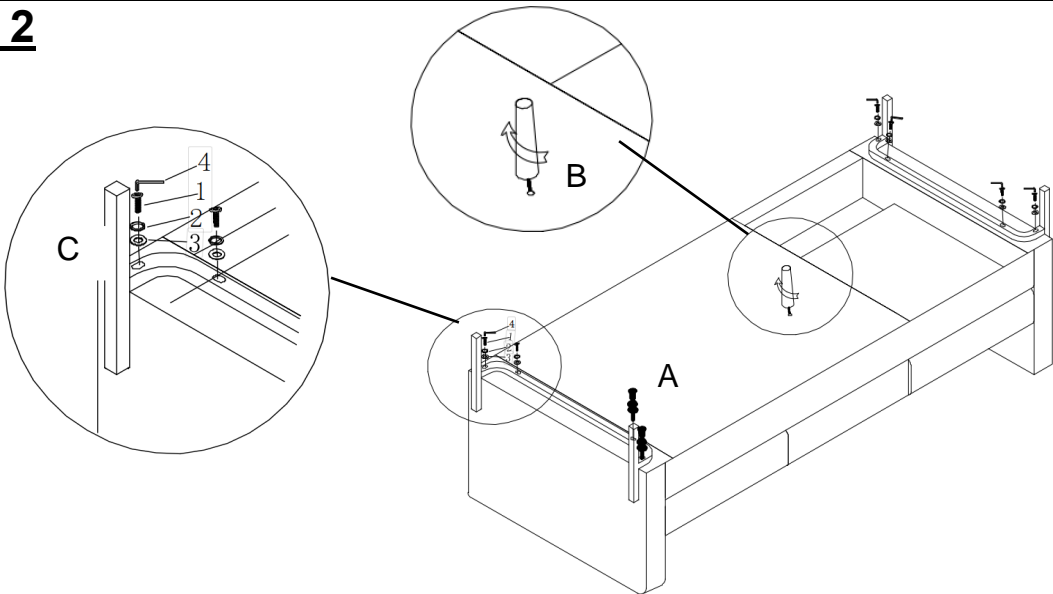
ITEM: **509904**



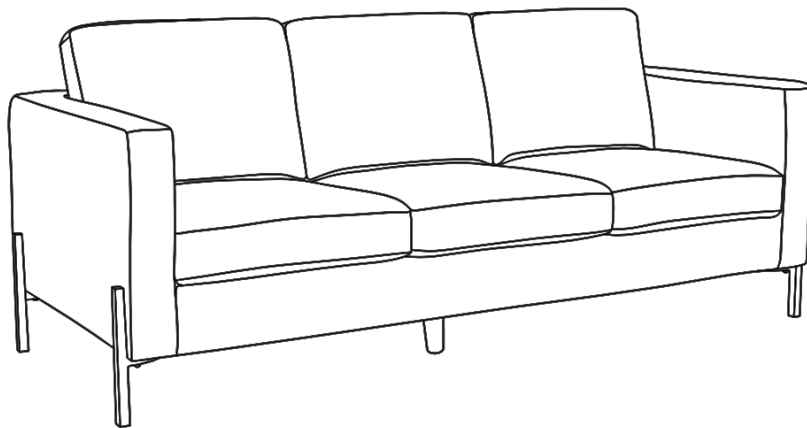
**ASSEMBLY INSTRUCTIONS**  
**STEP 1**



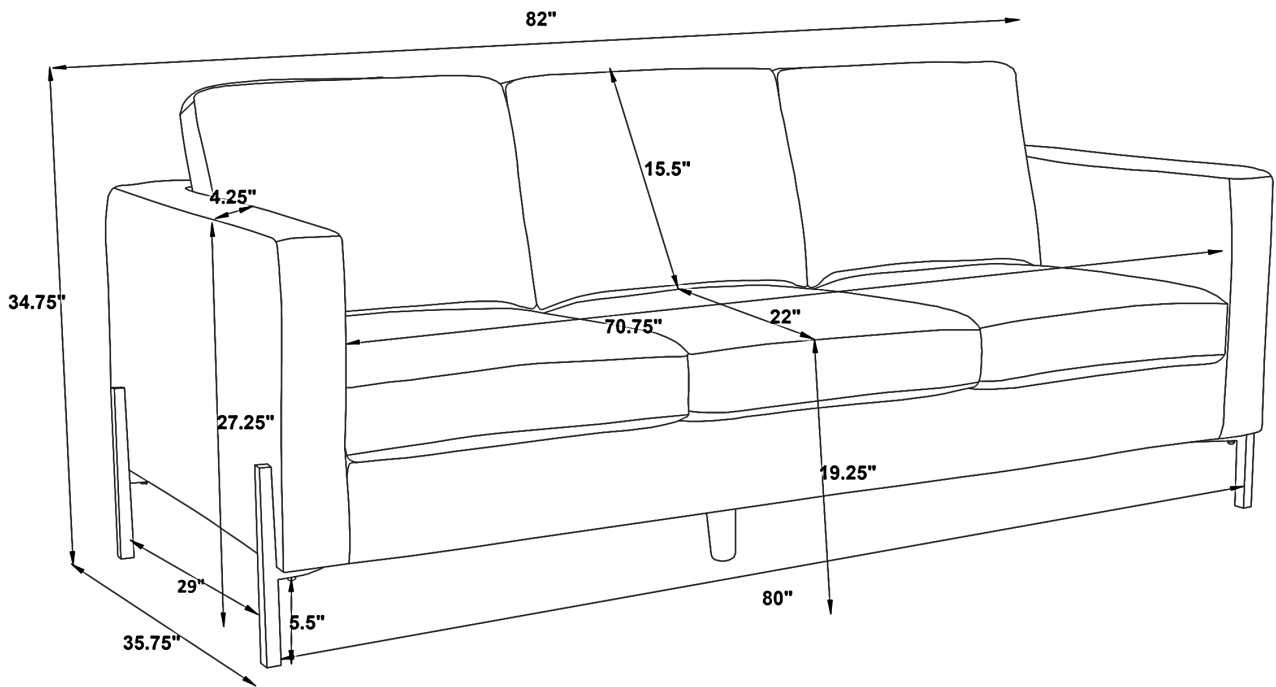
**STEP 2**



**STEP 3**



# PRODUCT/PART DIMENSIONS



Note: Dimension tolerance  $\pm 5\%$