

ASSEMBLY INSTRUCTIONS
COASTER FINE FURNITURE



Fine Furniture for every stage of life

223061Q (B1-B3)
Queen Bed

ITEM: 223061Q (B1-B3)



ASSEMBLY INSTRUCTIONS

ASSEMBLY TIPS:

1. Remove hardware from box and sort by size.
2. Please check to see that all hardware and parts are present prior to start of assembly.
3. Please follow attached instructions in the same sequence as numbered to assure fast & easy assembly.



WARNING!

1. Don't attempt to repair or modify parts that are broken or defective. Please contact the store immediately.
2. This product is for home use only and not intended for commercial establishments.



ASSEMBLY TIME

30 MINUTES



PARTS IDENTIFICATION

B1 (BOX 1)

A	HEADBOARD		1PC
I	WOOD CAP		2PCS


B	HEADBOARD POST		2PCS
---	----------------	---	------

B2 (BOX 2)

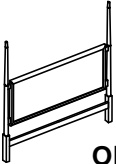
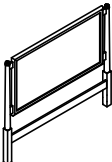
C	FOOTBOARD		1PC
E	WOOD CAP		2PCS


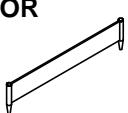
D	FOOTBOARD POST		2PCS
---	----------------	---	------

B3 (BOX 3)

F	BED RAIL		2PCS
H	BED SLAT SUPPORT WITH LEVELER		4PCS

G	BED SLAT		4PCS
---	----------	---	------

HB	223061Q(B1) FROM BOX 1 HEADBOARD COMPLETE	 OR 	1PC
----	--	--	-----

FB	223061Q(B2) FROM BOX 2 FOOTBOARD COMPLETE	 OR 	1PC
----	--	--	-----

ITEM: 223061Q (B1-B3)



ASSEMBLY INSTRUCTIONS

ASSEMBLY TIPS:

1. Remove hardware from box and sort by size.
2. Please check to see that all hardware and parts are present prior to start of assembly.
3. Please follow attached instructions in the same sequence as numbered to assure fast & easy assembly.






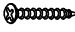


WARNING!

1. Don't attempt to repair or modify parts that are broken or defective. Please contact the store immediately.
2. This product is for home use only and not intended for commercial establishments.

HARDWARE IDENTIFICATION

Z-B3 (BOX 3) - HARDWARE PACK IS LOCATED IN 223061Q (B3)

1	THREADED BOLT (\varnothing 5/16" x 3" - RBW)		8PCS	2	HALF ROUND NUT (\varnothing 5/16" - RBW)		8PCS
3	LOCK WASHER (\varnothing 5/16" x 3" - RBW)		8PCS	4	HEX NUT (\varnothing 5/16" x 14MM - RBW)		8PCS
5	WRENCH (14MM - RBW)		1PC	6	FLAT HEAD SCREW (\varnothing 4 x 30MM - RBW)		8PCS

NOTE:

Phillips head screw driver is required in the assembly process; however, manufacturer does not provide this item.

ITEM: 223061Q (B1-B3)

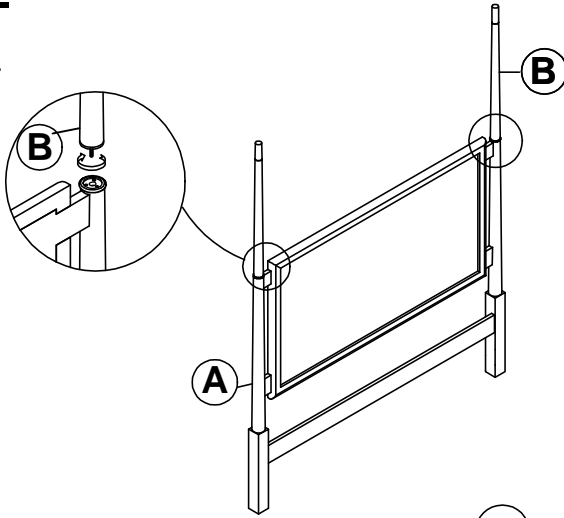


ASSEMBLY INSTRUCTIONS

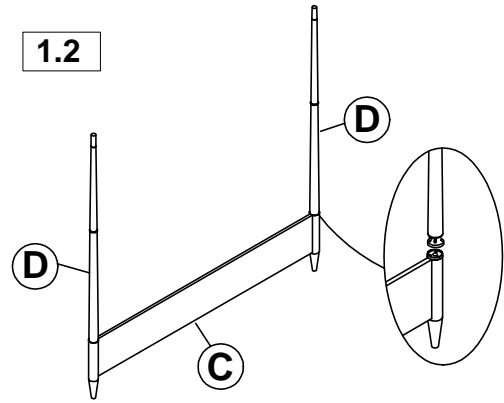
STEP 1

OPTION 1

1.1

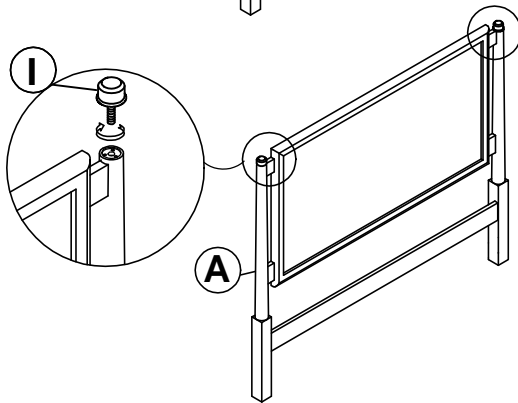


1.2

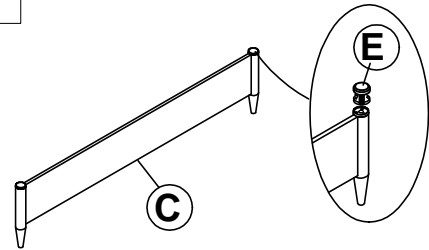


OPTION 2

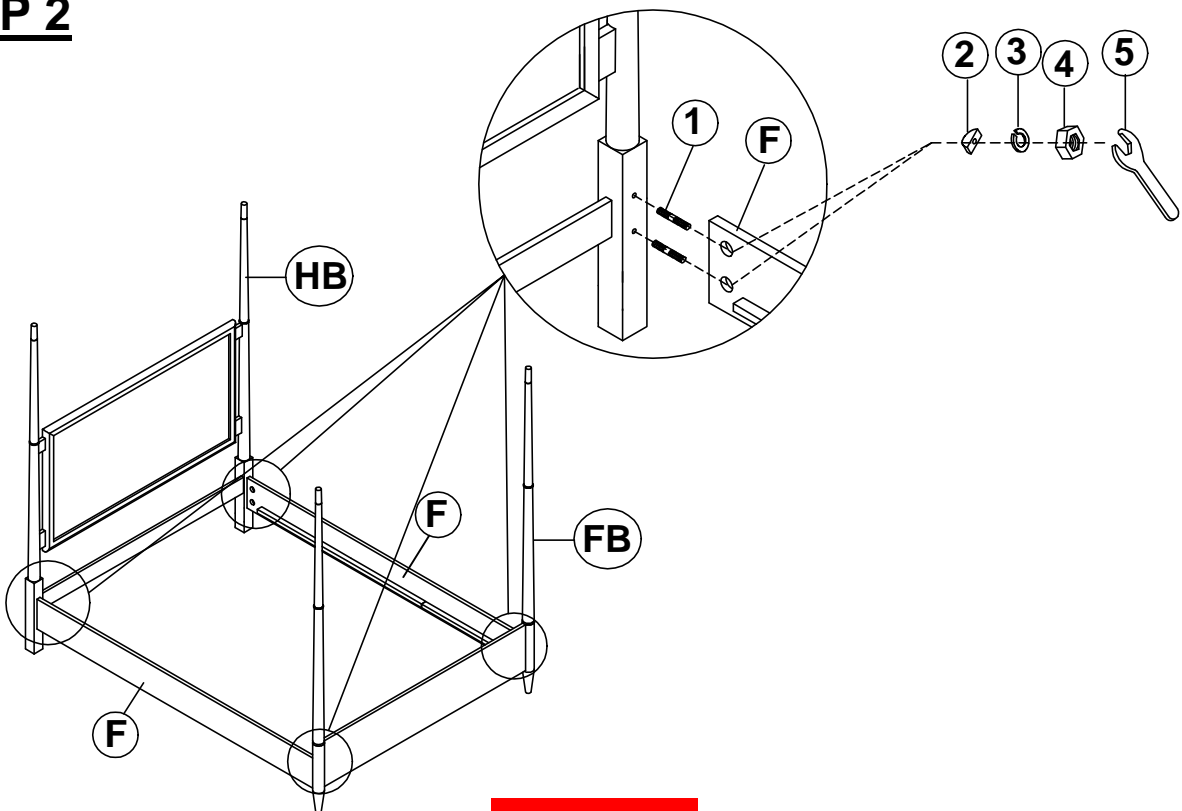
1.1



1.2



STEP 2

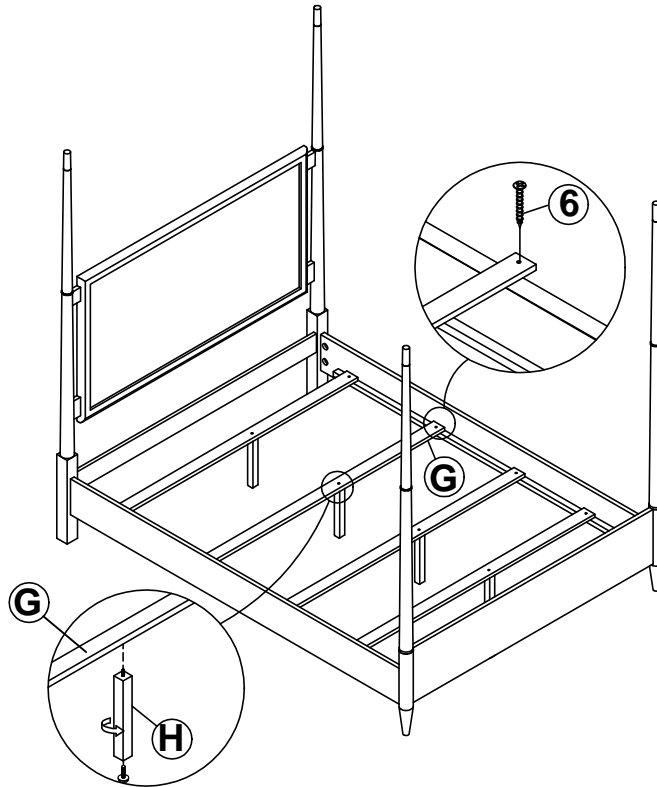


ITEM: **223061Q (B1-B3)**



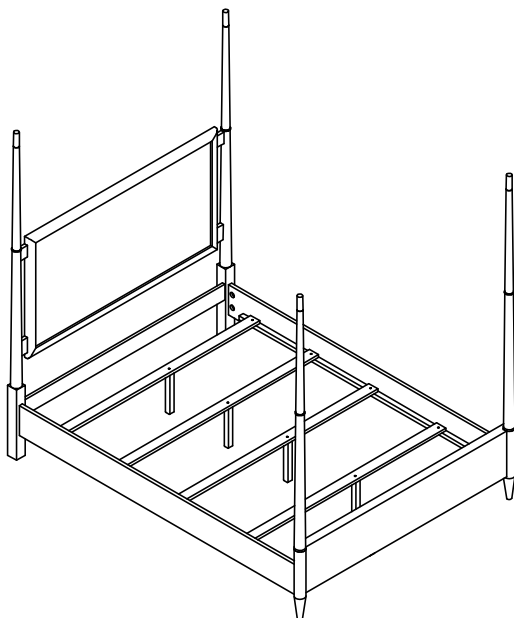
ASSEMBLY INSTRUCTIONS

STEP 3

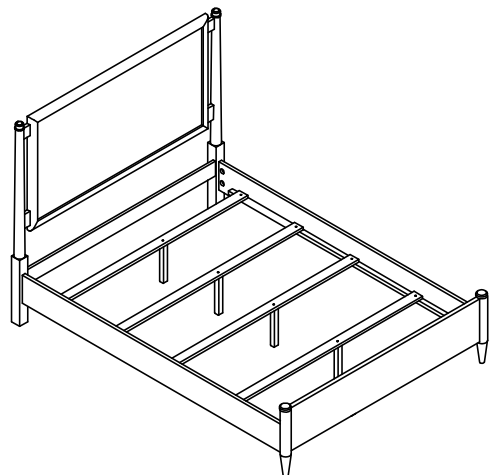


STEP 4
COMPLETE

OPTION 1



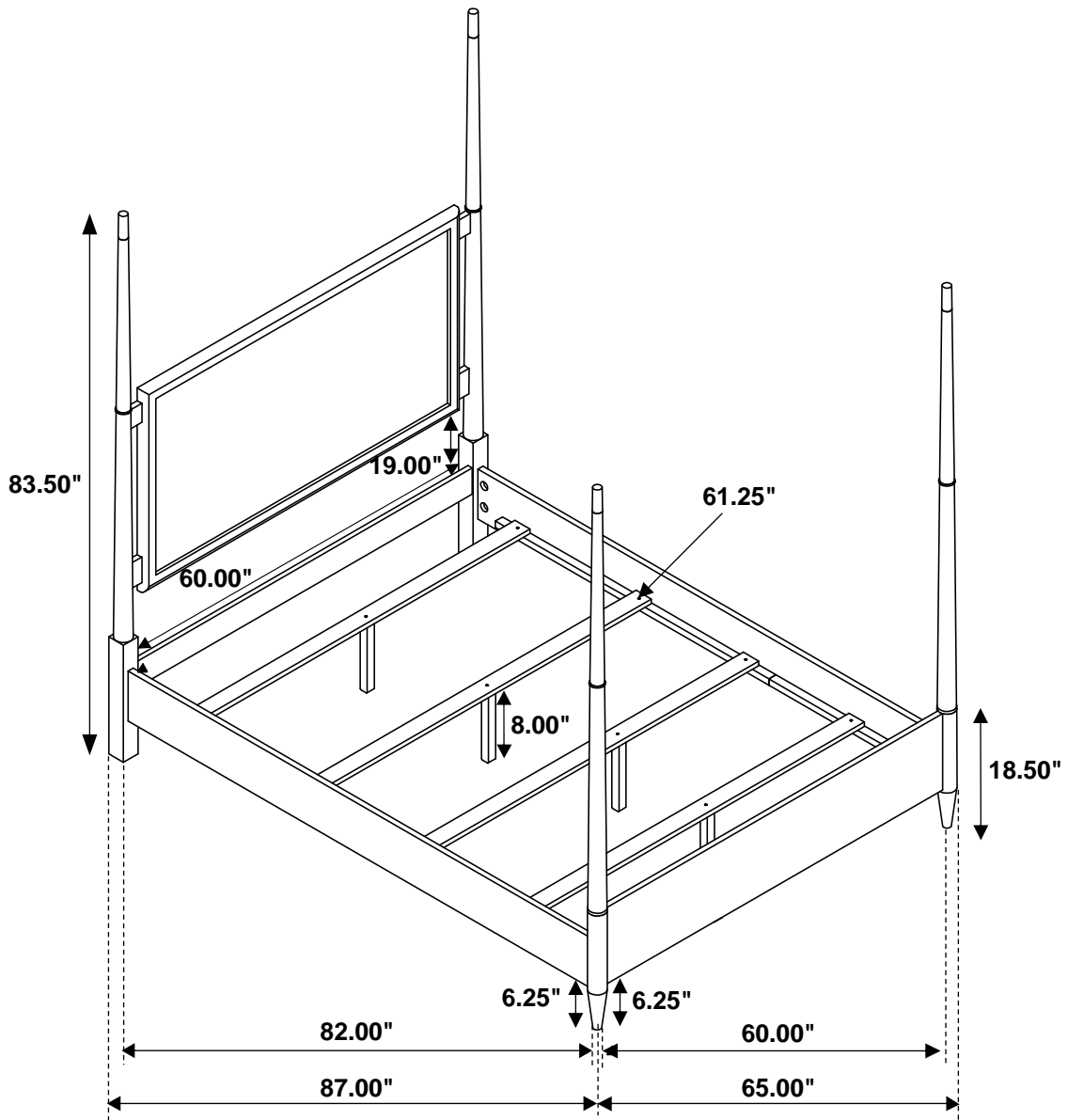
OPTION 2



ITEM: 223061Q (B1-B3)



Inner Size : 61.50"W X 82.00"D

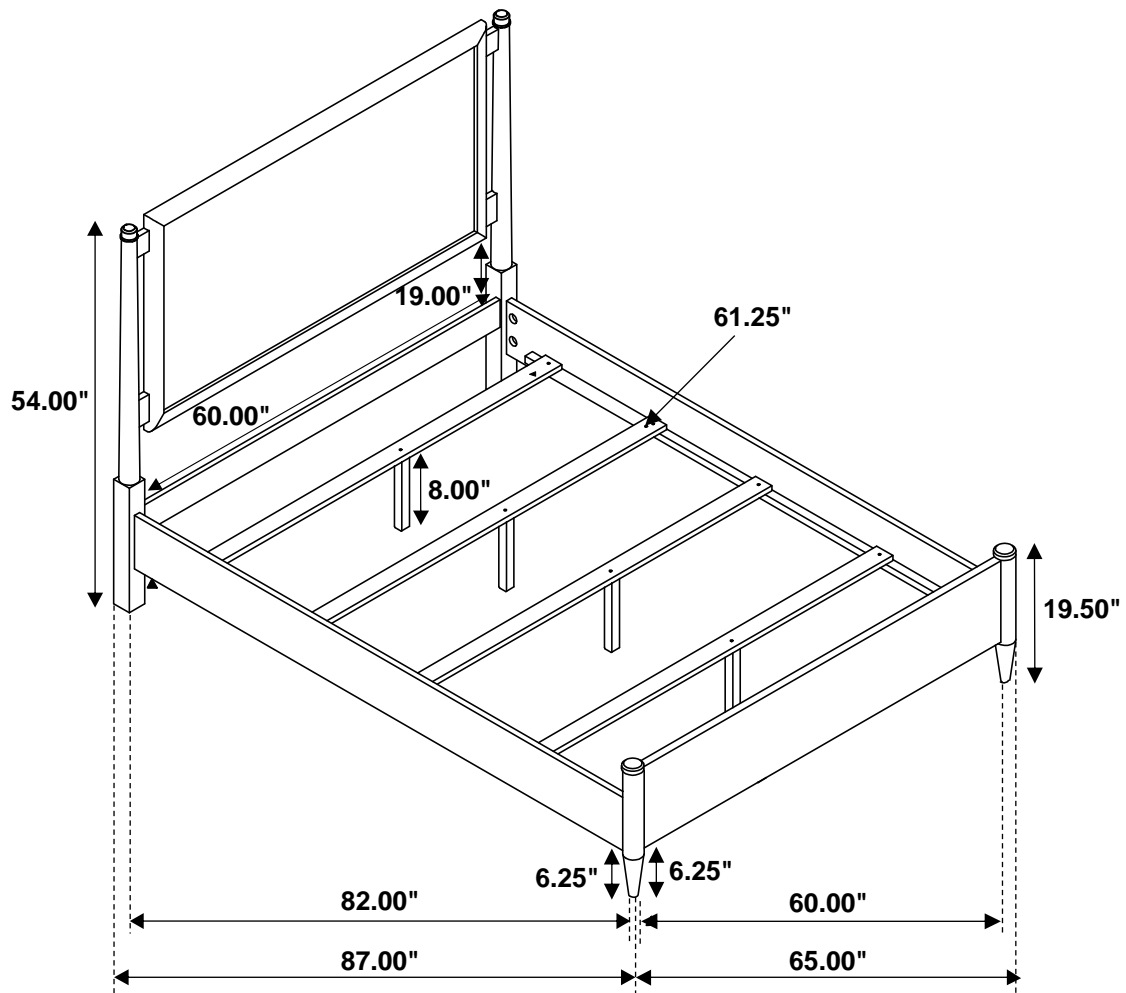


Note: Dimension tolerance $\pm 5\%$

ITEM: 223061Q (B1-B3)



Inner Size : 61.50"W X 82.00"D



Note: Dimension tolerance $\pm 5\%$