

ASSEMBLY INSTRUCTIONS COASTER FINE FURNITURE



Fine Furniture for every stage of life

300837
Daybed

ITEM: 300837



ASSEMBLY INSTRUCTIONS

ASSEMBLY TIPS:

1. Remove hardware from box and sort by size.
2. Please check to see that all hardware and parts are present prior to start of assembly.
3. Please follow attached instructions in the same sequence as numbered to assure fast & easy assembly.

WARNING!



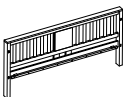




1. Don't attempt to repair or modify parts that are broken or defective. Please contact the store immediately.
2. This product is for home use only and not intended for commercial establishments.





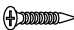

ASSEMBLY TIME

30 MINUTES

PARTS IDENTIFICATION

A	BACK PANEL		1PC
B	RIGHT SIDE PANEL		1PC
C	LEFT SIDE PANEL		1PC
D	BED RAIL		1PC
E	ROLL SLAT (14PCS)		1SET

HARDWARE IDENTIFICATION

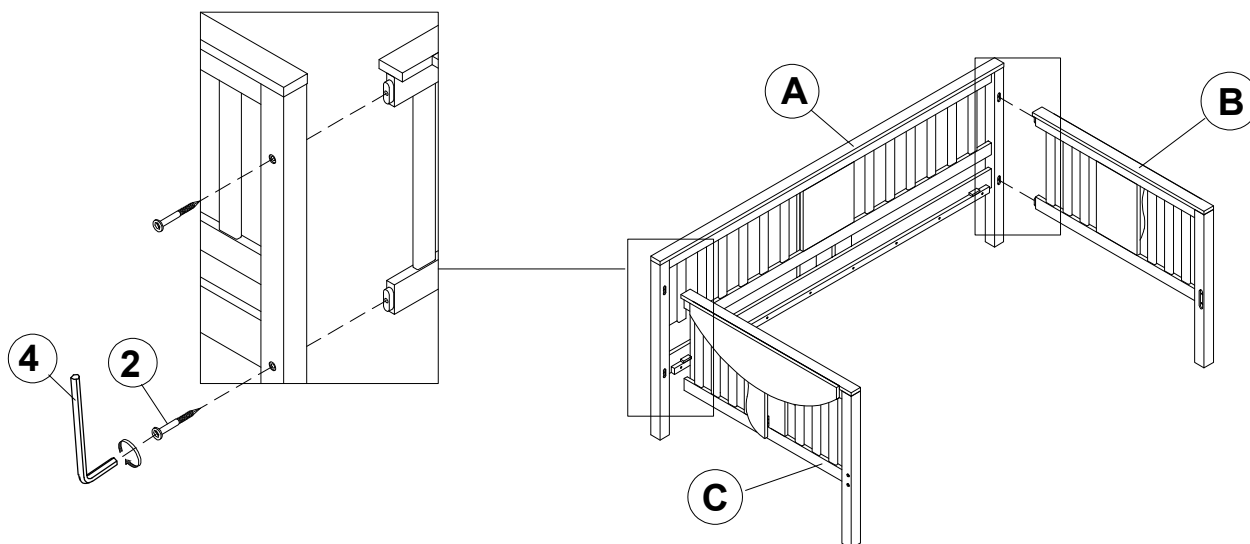
1	BOLT (Φ1/4x 100MM - WHT)		4PCS
2	HEX HEAD SCREW (Φ5/16x 80MM- WHT)		4PCS
3	FLAT HEAD SCREW (Φ4 x 35MM - WHT)		10PCS
4	ALLEN WRENCH (Φ4 x 78MM - WHT)		1PC

NOTE:

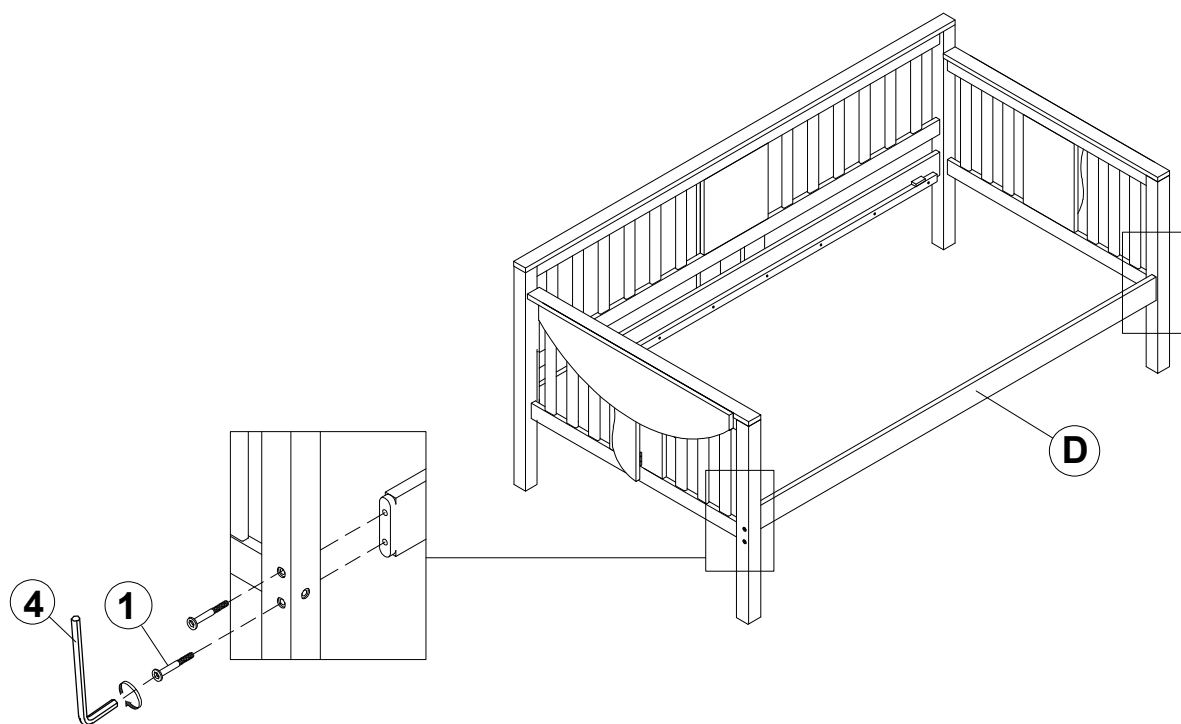
Phillips head screw driver is required in the assembly process; however, manufacturer does not provide this item.

ITEM: **300837**
ASSEMBLY INSTRUCTIONS

STEP 1



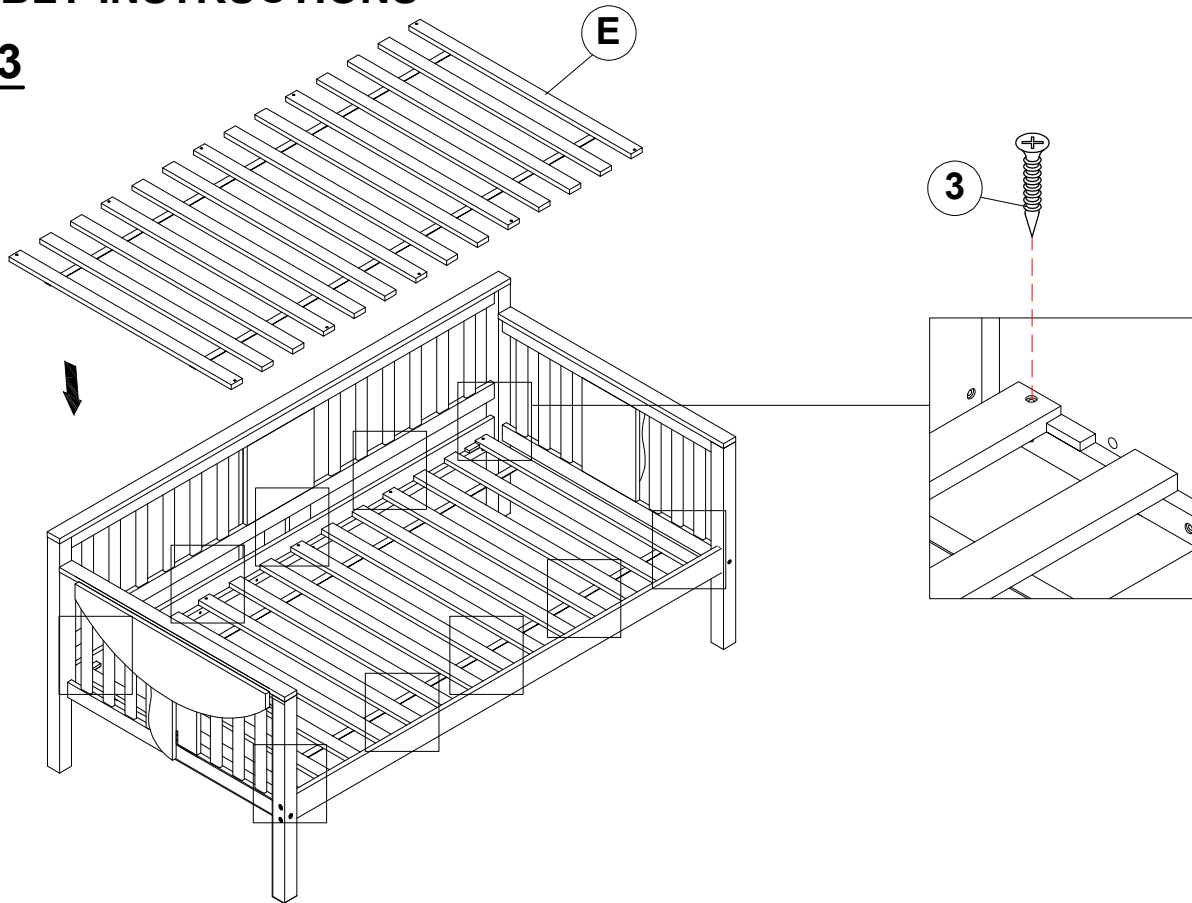
STEP 2



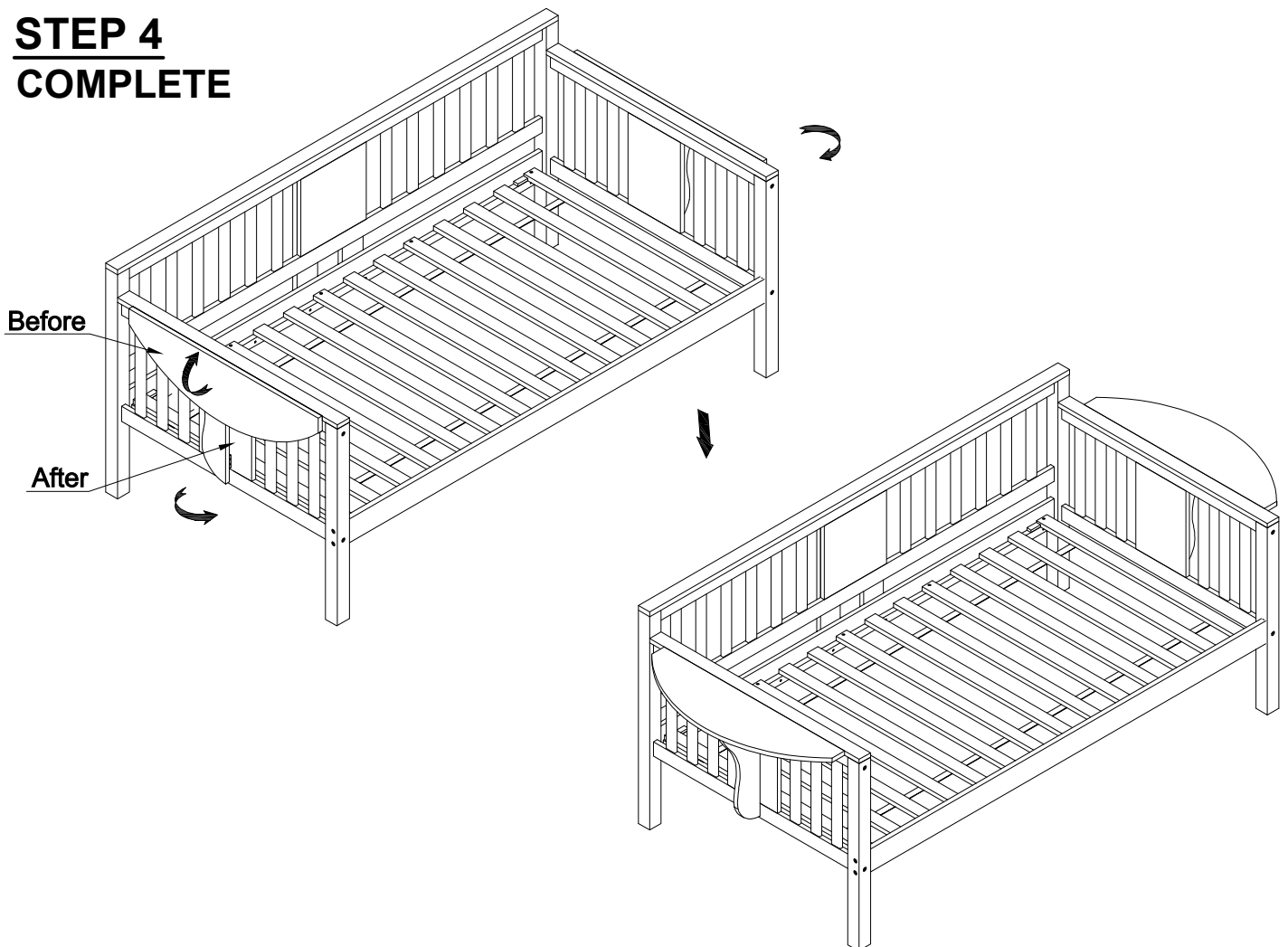
ITEM: 300837

ASSEMBLY INSTRUCTIONS

STEP 3



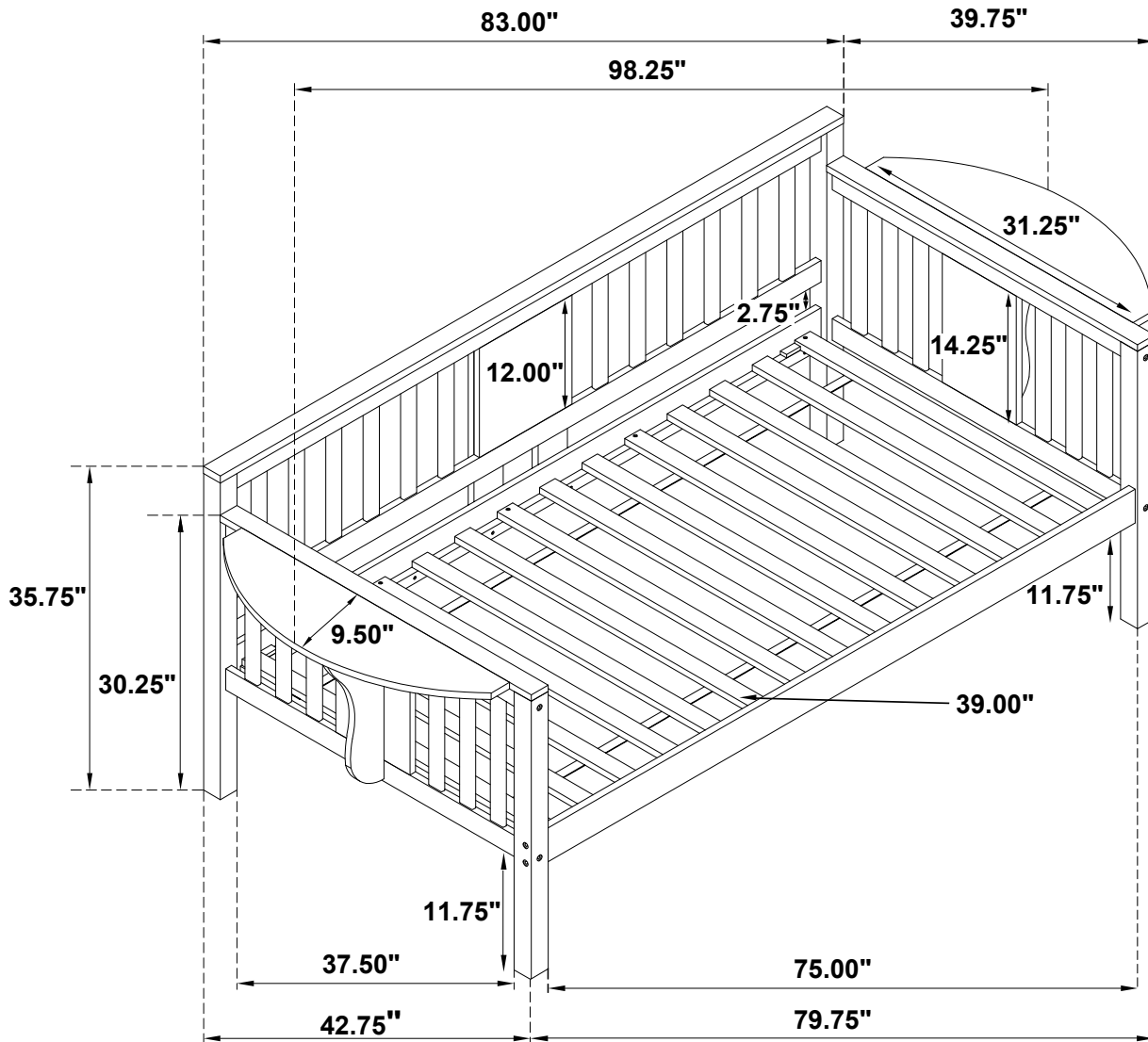
**STEP 4
COMPLETE**



ITEM: 300837



Inner Size : 75.00"W x 39.00"D



Note: Dimension Tolerance $\pm 5\%$