



ASSEMBLY INSTRUCTIONS
COASTER FINE FURNITURE



Fine Furniture for every stage of life

100426
LEISURE CHAIR

REVISION 0 : 11/01/2018
REVISION 1 : 05/13/2019
REVISION 2 : 09/15/2020
REVISION 3 : 08/01/2022
REVISION 4 : 16/11/2023

PAGE 1 OF 3

COASTERFURNITURE.COM

ITEM : 100426

ASSEMBLY INSTRUCTIONS



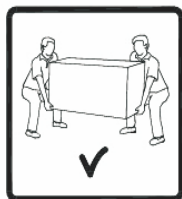
ASSEMBLY TIPS:

1. Remove hardware from box and sort by size.
2. Please check to see that all hardware and parts are present prior to start of assembly.
3. Please follow attached instructions in the same sequence as numbered to assure fast & easy assembly.



Warning!


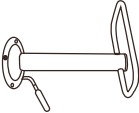



1. Don't attempt to repair or modify parts that are broken or defective. Please contact the store immediately.
2. This product is for home use only and not intended for commercial establishments.





ASSEMBLY TIME

5 MINUTES

PARTS IDENTIFICATION

A		CHAIR SEAT	1PC
B		FOOT REST	1PC
C		GAS CYLINDER	1PC
D		CHAIR BASE	1PC
E		DECORATIVE RING	1PC

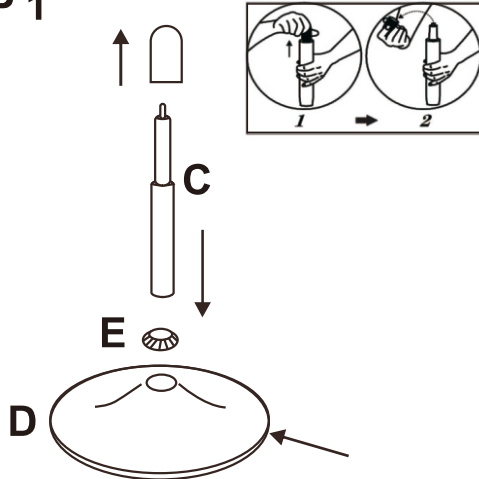
HARDWARE IDENTIFICATION

1		BOLT (M6x20mm)	4PCS
2		ALLEN WRENCH (M5)	1PC

Note:
Quantities shown are for one chair.

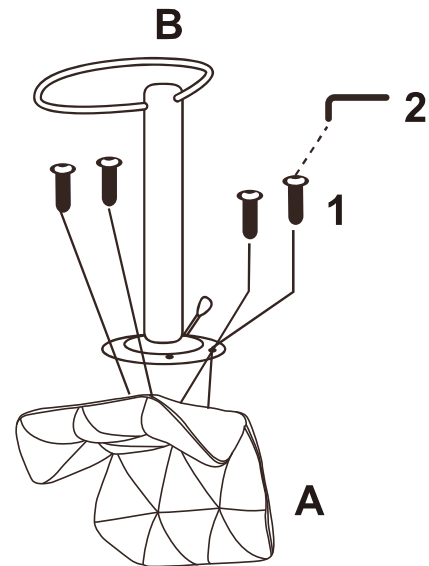
ITEM :100426 ASSEMBLY INSTRUCTIONS

STEP 1

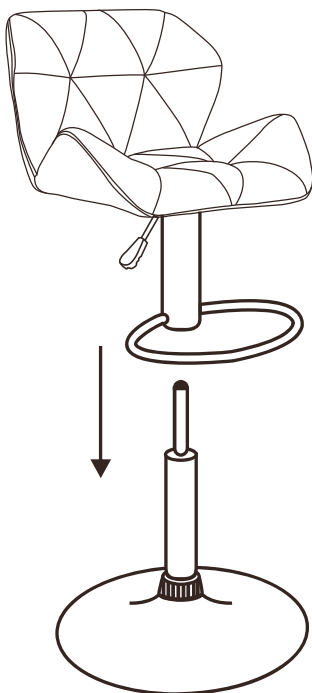


Place the chair seat (A) upside down on a soft surface. Then attach the foot rest (B) to the chair seat (A) using the bolt (1) and tighten with the allen wrench (2).

STEP 2

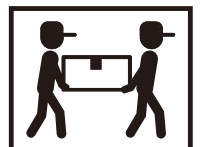
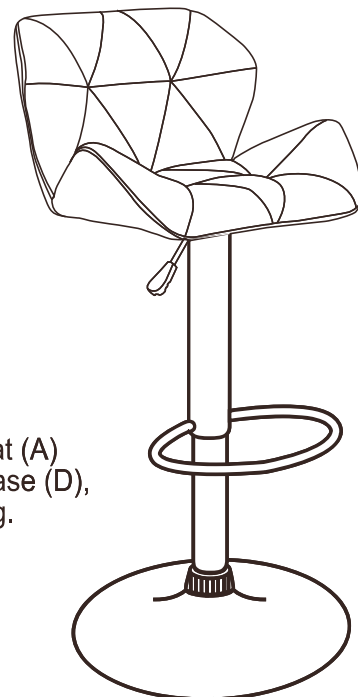


STEP 3

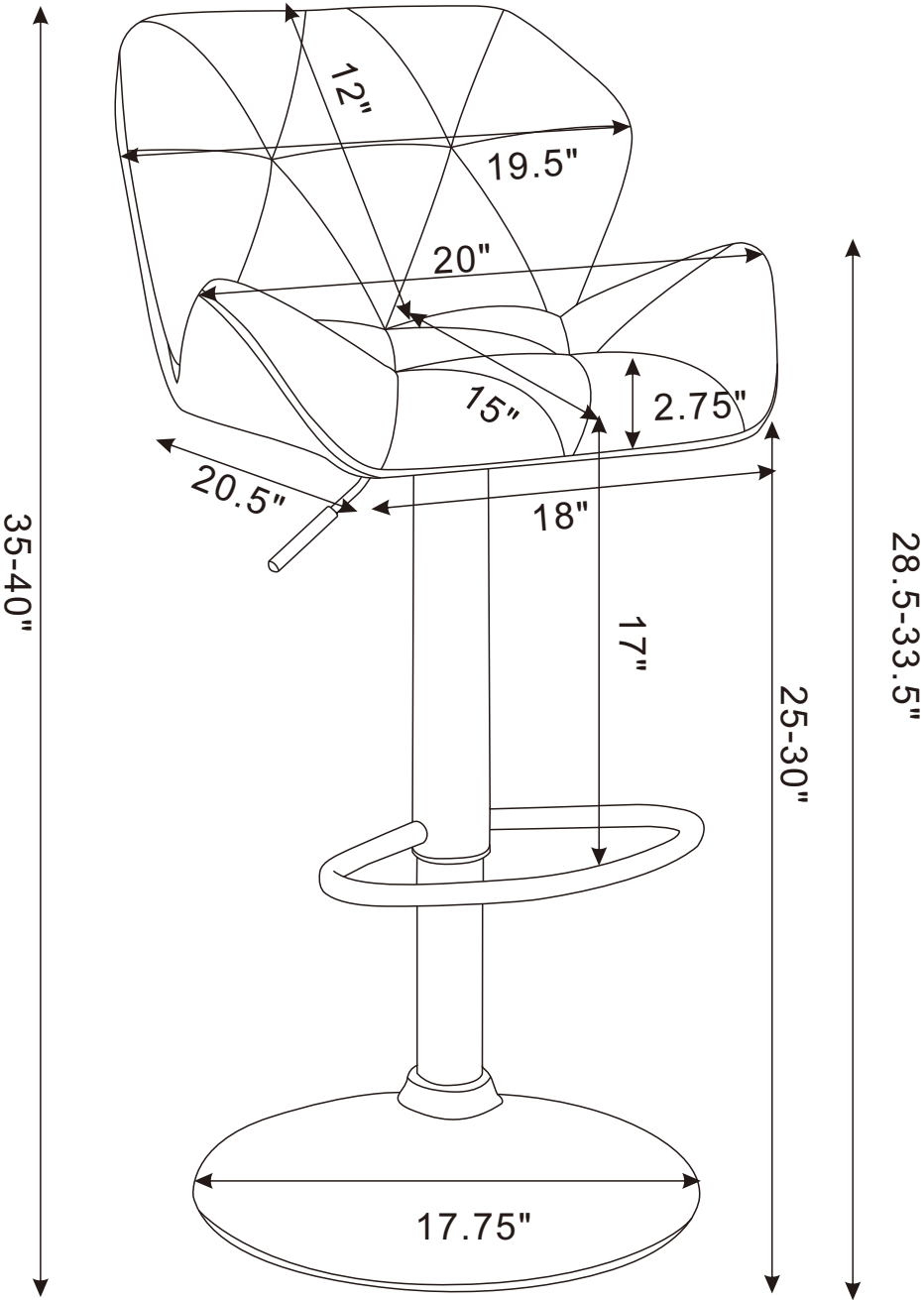


Connect the foot rest (B) and chair seat (A) to the gas cylinder (C) and the chair base (D), press firmly to the top of the gas spring. AS SHOWN IN THE DRAWING.

STEP 4



ITEM :100426
ASSEMBLY INSTRUCTIONS



Noted: Dimension tolerance $\pm 5\%$