



ASSEMBLY INSTRUCTIONS

COASTER FINE FURNITURE



Fine Furniture for every stage of life

107143
Dining Chair

REVISION 0 : 07/16/2019

REVISION 1 : 07/26/2022

REVISION 2 : 11/15/2023

PAGE 1 OF 5

COASTERFURNITURE.COM

ITEM: **107143**



ASSEMBLY INSTRUCTIONS

ASSEMBLY TIPS:

1. Remove hardware from box and sort by size.
2. Please check to see that all hardware and parts are present prior to start of assembly.
3. Please follow attached instructions in the same sequence as numbered to assure fast & easy assembly.



WARNING!

1. Don't attempt to repair or modify parts that are broken or defective. Please contact the store immediately.
2. This product is for home use only and not intended for commercial establishments.

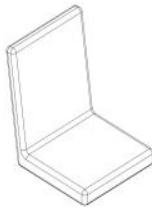


ASSEMBLY TIME

5 MINUTES

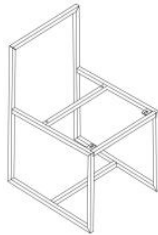
PARTS IDENTIFICATION

A SEAT AND BACK



1PC

B FRAME



1PC

NOTE:

Quantities shown are for one chair.

Phillips head screw driver is required in the assembly process; however, manufacturer does not provide this item.



ITEM:107143

ASSEMBLY INSTRUCTIONS

ASSEMBLY TIPS:

1. Remove hardware from box and sort by size.
2. Please check to see that all hardware and parts are present prior to start of assembly.
3. Please follow attached instructions in the same sequence as numbered to assure fast & easy assembly.



WARNING!

1. Don't attempt to repair or modify parts that are broken or defective. Please contact the store immediately.
2. This product is for home use only and not intended for commercial establishments.



ASSEMBLY TIME

5 MINUTES

HARDWARE IDENTIFICATION

1	ALLEN KEY (4mm)		1PC
2	BOLT 1 (M6*16)		2PCS
3	BOLT 2 (M6*35)		2PCS
4	FLAT WASHER (Φ6*20*1.5)		4PCS

NOTE:

Quantities shown are for one chair.

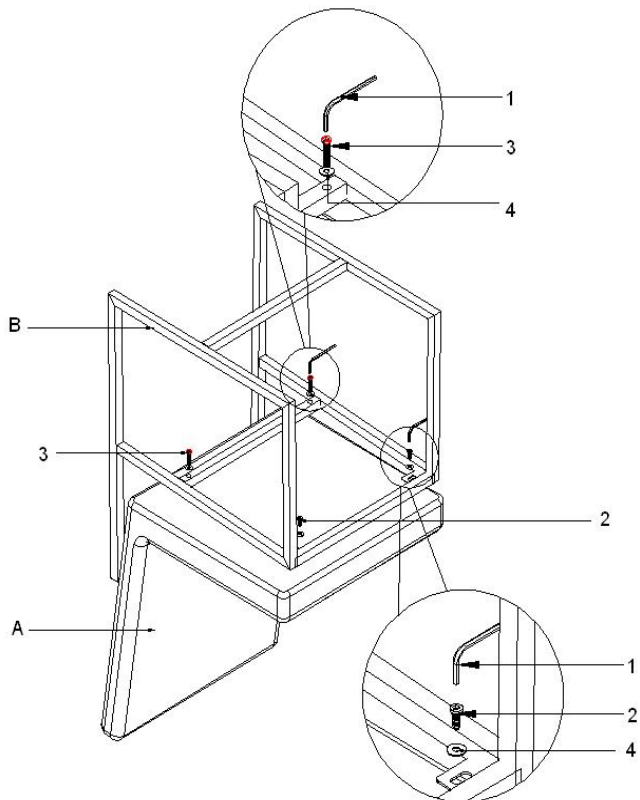
Phillips head screw driver is required in the assembly process; however, manufacturer does not provide this item.



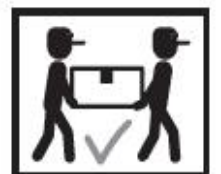
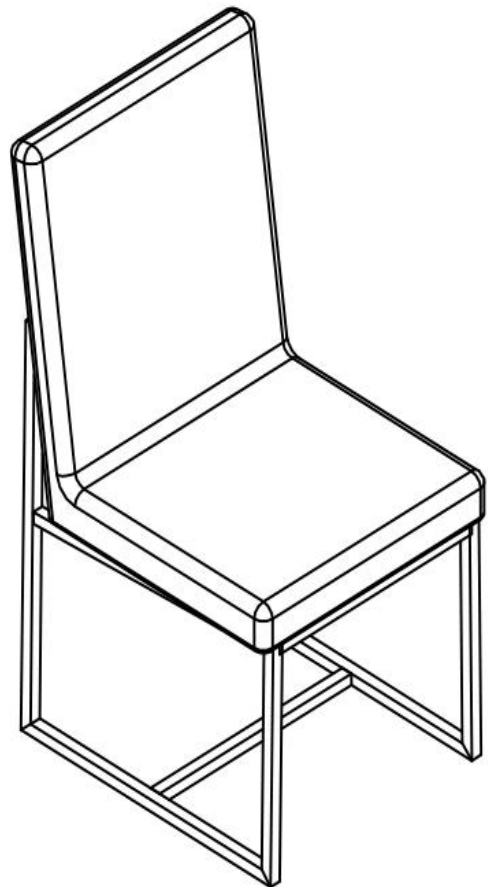
ITEM: **107143**

ASSEMBLY INSTRUCTIONS

STEP 1



STEP 2 COMPLETE



ITEM: **107143**

