



ASSEMBLY INSTRUCTIONS
COASTER FINE FURNITURE



Fine Furniture for every stage of life

111103
DINING CHAIR

REVISION 0:03/15/2022
REVISION 1:07/25/2022
REVISION 2:11/15/2023

PAGE 1 OF 5

COASTERFURNITURE.COM

ITEM:111103



ASSEMBLY INSTRUCTIONS

ASSEMBLY TIPS:

1. Remove hardware from box and sort by size.
2. Please check to see that all hardware and parts are present prior to start of assembly.
3. Please follow attached instructions in the same sequence as numbered to assure fast & easy assembly.



WARNING!

1. Don't attempt to repair or modify parts that are broken or defective. Please contact the store immediately.
2. This product is for home use only and not intended for commercial establishments.



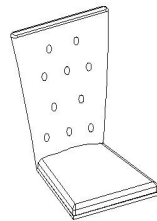
ASSEMBLY TIME

10 MINUTES

PARTS IDENTIFICATION

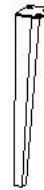
B1 (BOX 1)

A SEAT AND BACK



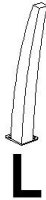
1PCS

D FRONT LEG



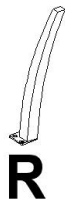
2PCS

B BACK LEFT LEG



1PC

C BACK RIGHT LEG



1PC

NOTE:

Quantities shown are for on chair

Phillips head screw driver is required in the assembly process; however, manufacturer does not provide this item.

ITEM:111103

ASSEMBLY INSTRUCTIONS

ASSEMBLY TIPS:

1. Remove hardware from box and sort by size.
2. Please check to see that all hardware and parts are present prior to start of assembly.
3. Please follow attached instructions in the same sequence as numbered to assure fast & easy assembly.



WARNING!

1. Don't attempt to repair or modify parts that are broken or defective. Please contact the store immediately.
2. This product is for home use only and not intended for commercial establishments.

HARDWARE IDENTIFICATION

Z-B2 (BOX 1) - HARDWARE PACK IS LOCATED IN 111103

1	ALLEN WRENCH		1PC
2	SHORT BOLT (M8*20mm)		12PC

Hardware pack is located in 111103

NOTE:

Quantities shown are for on chair

Phillips head screw driver is required in the assembly process; however, manufacturer does not provide this item.

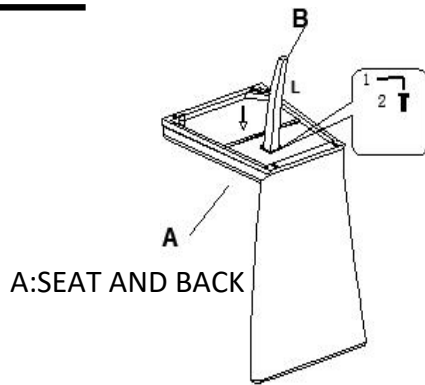
ITEM:111103

ASSEMBLY INSTRUCTIONS



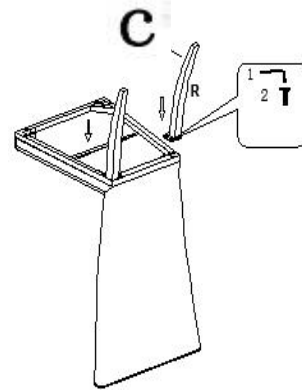
STEP 1

B:BACK LEFT LEG



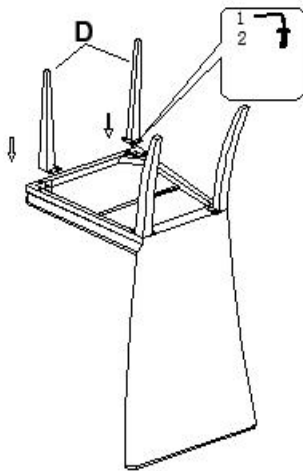
STEP 2

C:BACK RIGHT LEG

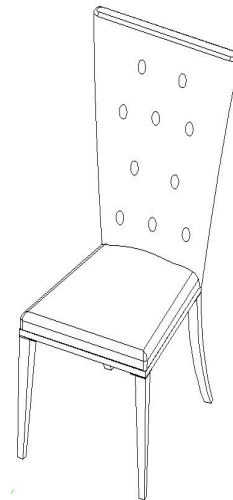


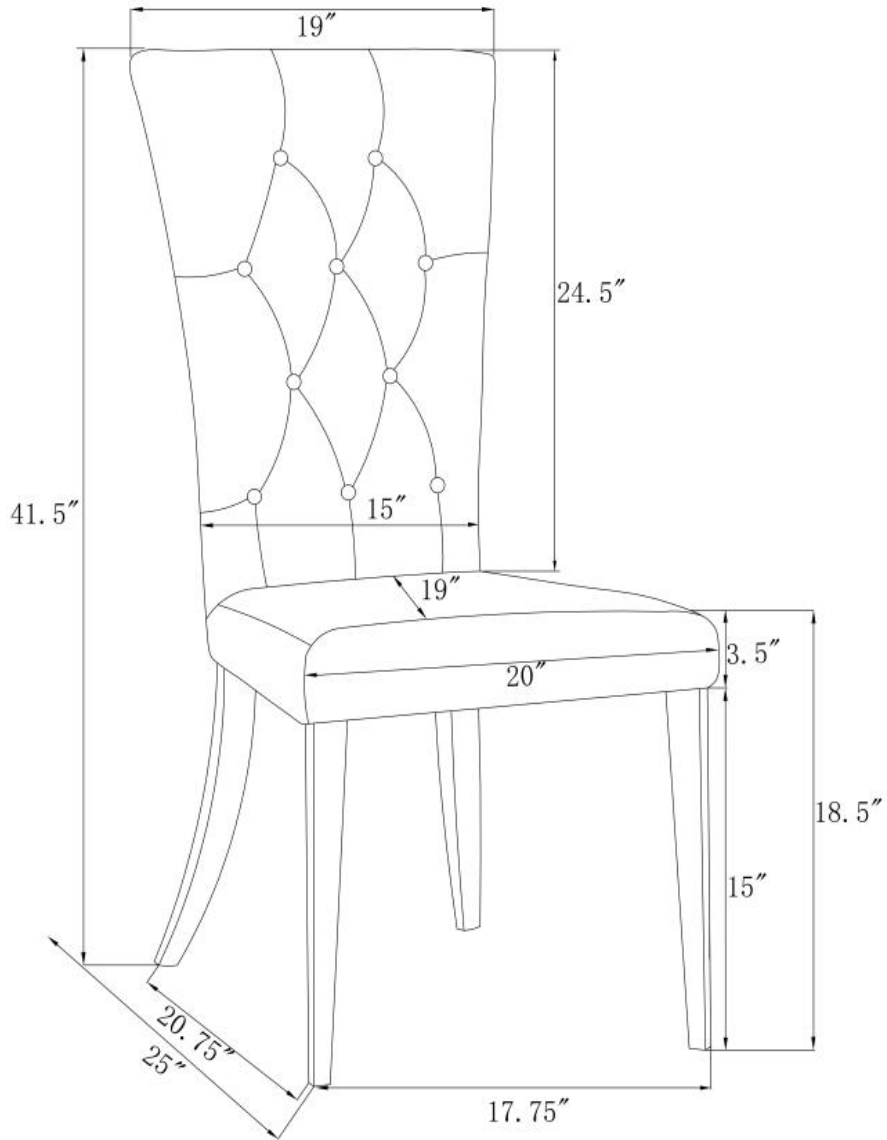
STEP 3

D:FRONT LEG



STEP 4





Note : Dimension tolerance $\pm 5\%$