



ASSEMBLY INSTRUCTIONS
COASTER FINE FURNITURE



Fine Furniture for every stage of life

121182
SIDE CHAIR

REVISION 0 : 11/15/2023

PAGE 1 OF 7

COASTERFURNITURE.COM

ITEM:121182



ASSEMBLY INSTRUCTIONS

ASSEMBLY TIPS:

1. Remove hardware from box and sort by size.
2. Please check to see that all hardware and parts are present prior to start of assembly.
3. Please follow attached instructions in the same sequence as numbered to assure fast & easy assembly.

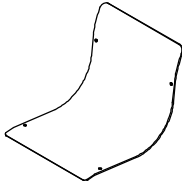
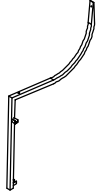
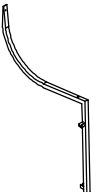
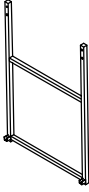

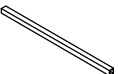


WARNING!

1. Don't attempt to repair or modify parts that are broken or defective. Please contact the store immediately.
2. This product is for home use only and not intended for commercial establishments.

ASSEMBLY TIME 20 MINUTES

PARTS IDENTIFICATION

A	SEAT AND BACK		1PC
B	LEFT LEG		1PC
C	RIGHT LEG		1PC
D	BACK FRAME		1PC
E	LONG CROSSBAR		2PCS
F	SHORT CROSSBAR		1PC


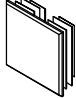
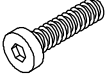

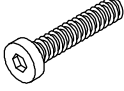


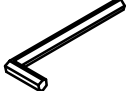

ITEM:121182



ASSEMBLY INSTRUCTIONS

Z

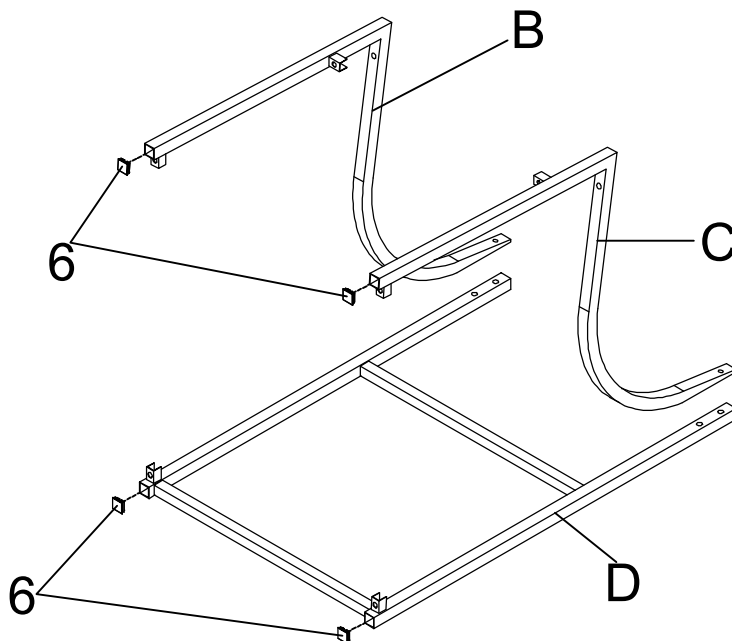
HARDWARE IDENTIFICATION

1	SHORT BOLT (1/4" x 12mm SR)		6PCS	6	CAP (18 x 18mm BLK)		4PCS
2	LONG BOLT (1/4" x 22mm SR)		4PCS	7	COVER		4PCS
3	LONG BOLT (1/4" x 30mm SR)		2PCS	8	SUCTION CUP		2PCS
4	NUT		4PCS	9	ALLEN WRENCH (4mm)		1PC
5	PLASTIC WASHER		4PCS				

NOTE:QUANTITIES SHOWN ARE FOR ONE CHAIR

STEP 1

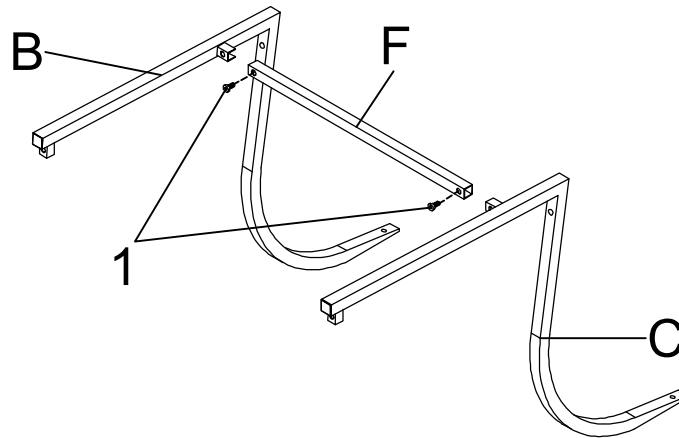
Do not tighten until each step is completed or instructed.



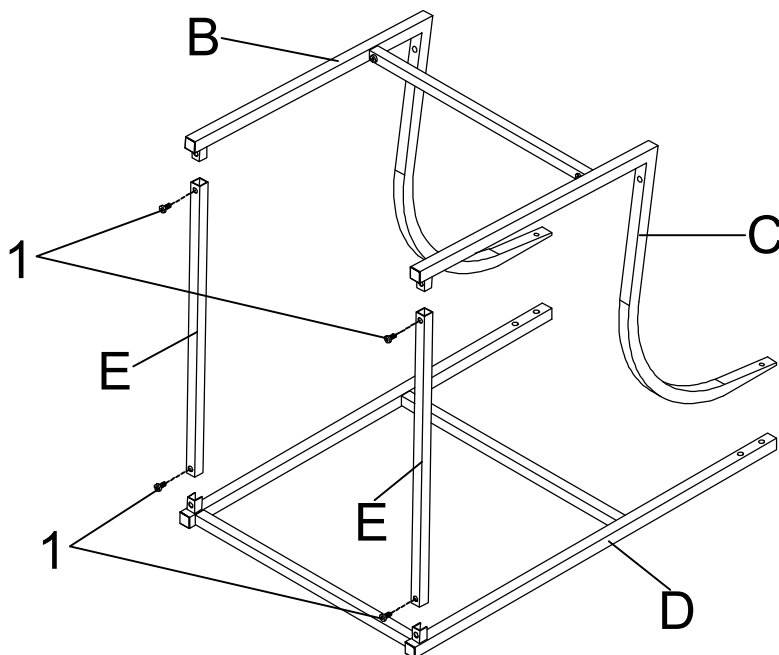
ITEM:121182

ASSEMBLY INSTRUCTIONS

STEP 1 Do not tighten until each step is completed or instructed.



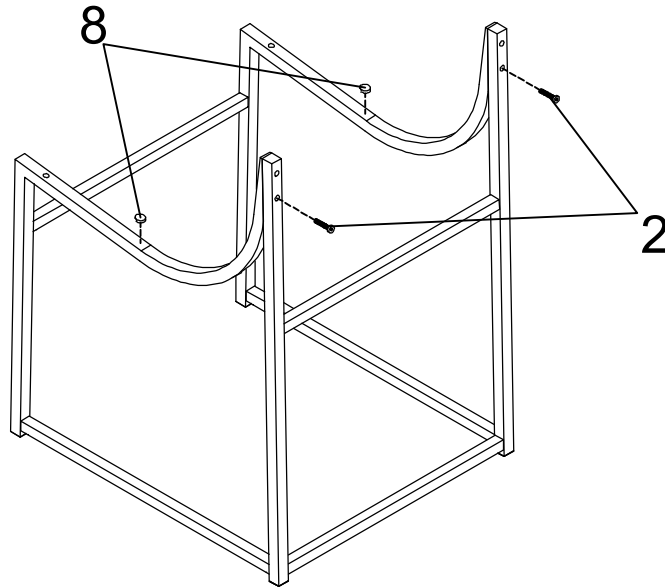
STEP 2



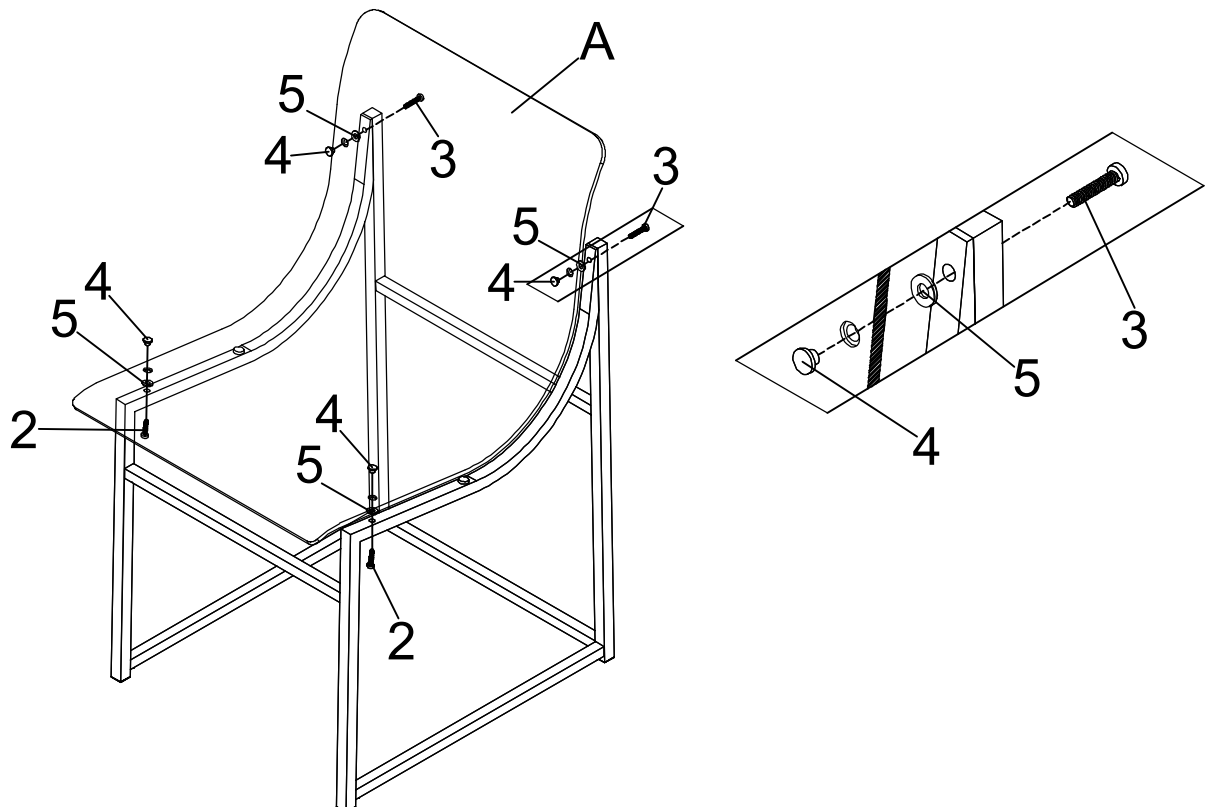
ITEM:121182

ASSEMBLY INSTRUCTIONS

STEP 3



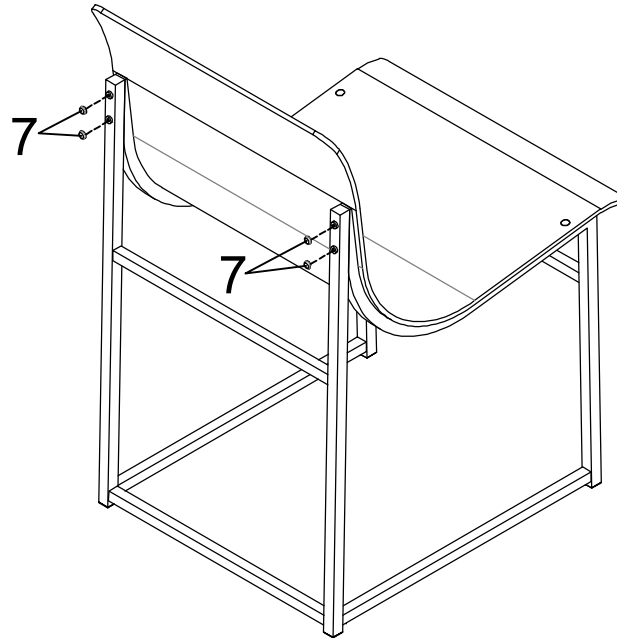
STEP 4



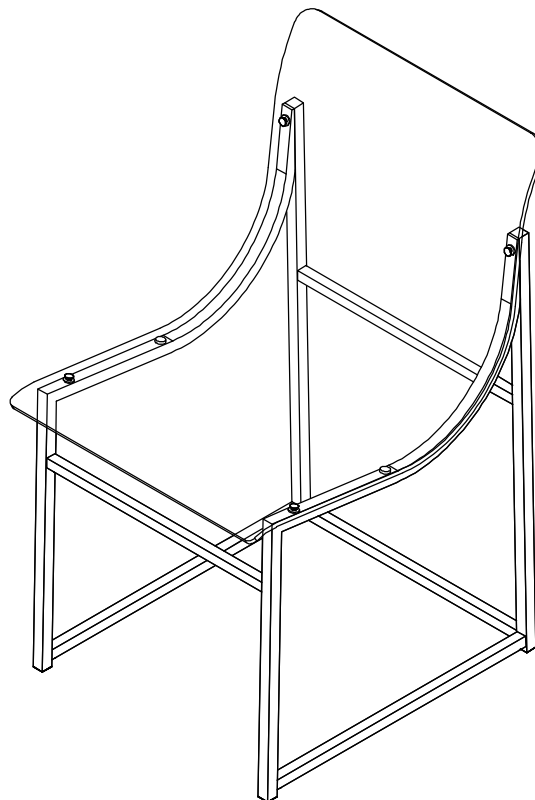
ITEM:121182

ASSEMBLY INSTRUCTIONS

STEP 5



STEP 6

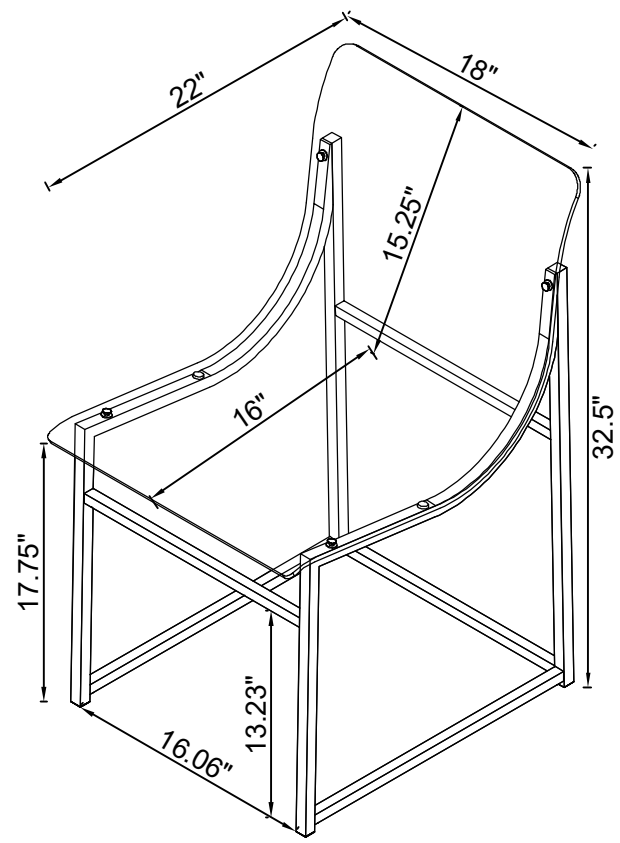


How to clean Acrylic product:
Using a dry soft microfiber cloth, lightly brush off any dust.
For additional care, dampen the cloth with warm water.
For deepest cleaning, use an Acrylic cleaner.

ITEM:121182 ASSEMBLY INSTRUCTIONS



Product Size : 457 X 559 X 826 H (MM)
Product Size : 18" X 22" X 32.5"



Note : Dimension tolerance $\pm 5\%$