

ASSEMBLY INSTRUCTIONS
COASTER FINE FURNITURE



Fine Furniture for every stage of life

300398

Twin Metal Daybed

ITEM:300398



ASSEMBLY INSTRUCTIONS

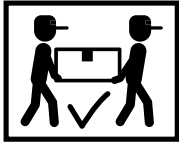
ASSEMBLY TIPS:

1. Remove hardware from box and sort by size.
2. Please check to see that all hardware and parts are present prior to start of assembly.
3. Please follow attached instructions in the same sequence as numbered to assure fast & easy assembly.



WARNING !

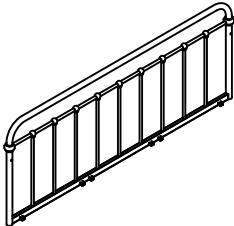
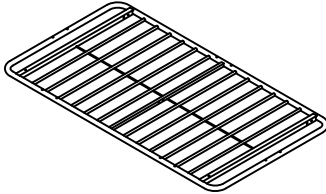

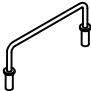
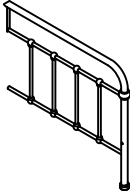

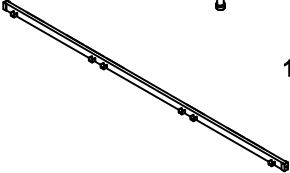
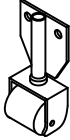
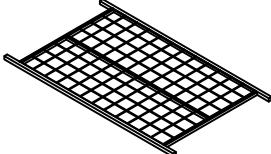
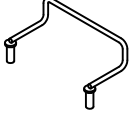
1. Don't attempt to repair or modify parts that are broken or defective. Please contact the store immediately.
2. This product is for home use only and not intended for commercial establishment.



ASSEMBLY TIME

25 MINUTE








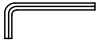

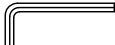


PARTS IDENTIFICATION

A BACK PANEL		1PC	F TRUNDLE BED		1PC
B LEG		2PCS	G HANDHOLD		3PCS
C SIDE PANEL		2PCS	H SUPPORT LEG		2PCS
D FRONT RAIL		1PC	I WHEEL		3PCS
E BASE FRAME		3PCS	J HANDHOLD 2		2PCS

NOTE:

Phillips head screw driver is required in the assembly process; however, manufacturer does not provide this item.

HARDWARE IDENTIFICATION

1	BOLT (5/16"x2-1/4" - BLK)		2 PCS	7	NUT (1/4"x11x8mm - BLK)		6 PCS
2	BOLT (1/4"x2-1/4" - BLK)		4 PCS	8	WASHER (ϕ 16mm - BLK)		18 PCS
3	BOLT (1/4"x1-3/4" - BLK)		4 PCS	9	WASHER (ϕ 30mm - BLK)		2 PCS
4	BOLT (1/4"x1-3/8" - BLK)		2 PCS	10	ALLEN WRENCH (4x22x60mm - BLK)		1 PC
5	BOLT (1/4"x5/8" - BLK)		22 PCS	11	ALLEN WRENCH (5x24x60mm - BLK)		1 PC
6	BOLT (1/4"x2" - BLK)		2 PCS	12	WRENCH (BLK)		1 PC

NOTE:

Phillips head screw driver is required in the assembly process; however, manufacturer does not provide this item.

ITEM: **300398**

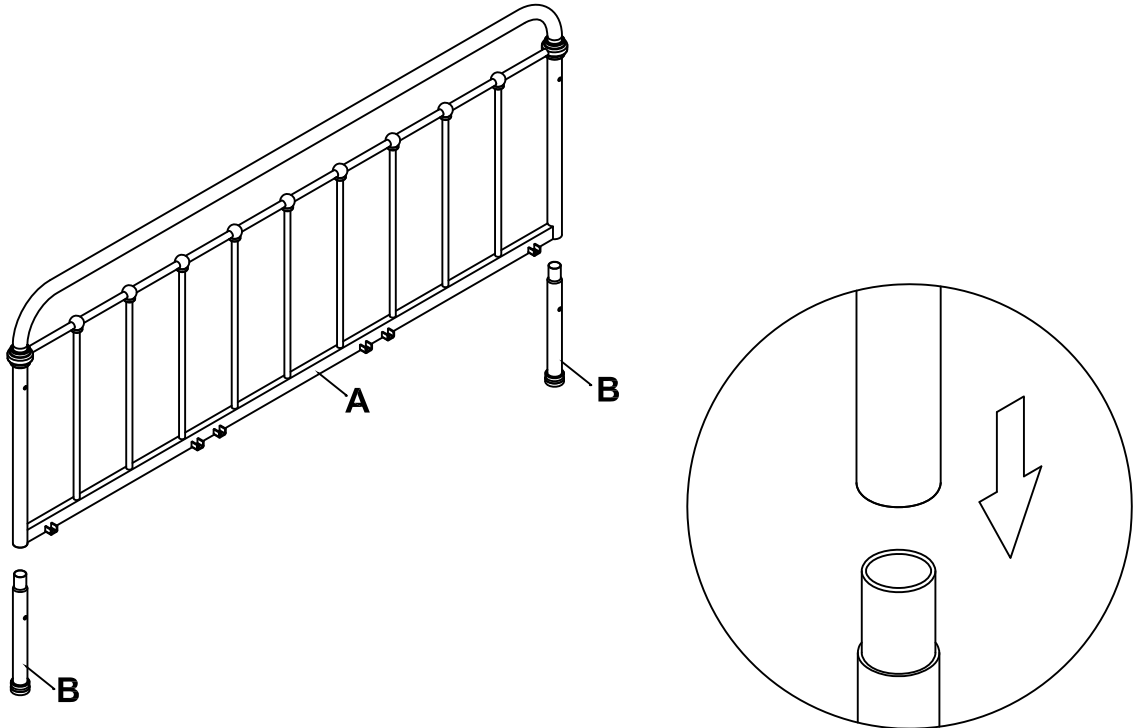


ASSEMBLY INSTRUCTIONS

STEP 1:

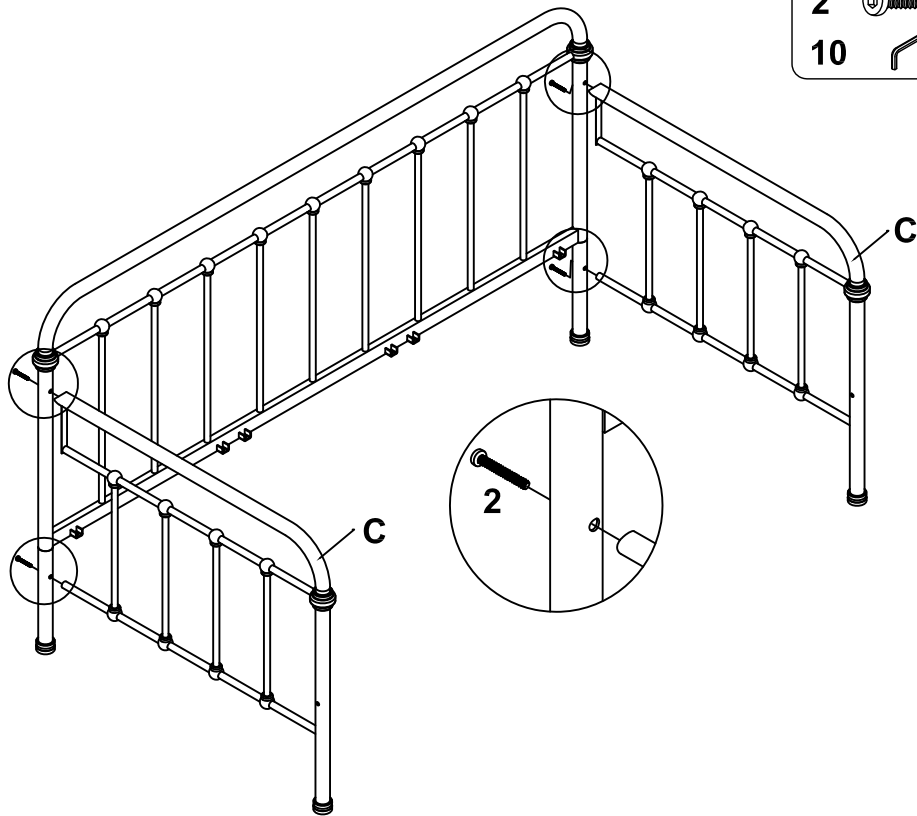
ASSEMBLY

Do not fully tighten all bolts until assembly is complete.
This will help all parts to assemble properly.



STEP 2:

- 2 4PCS
- 10






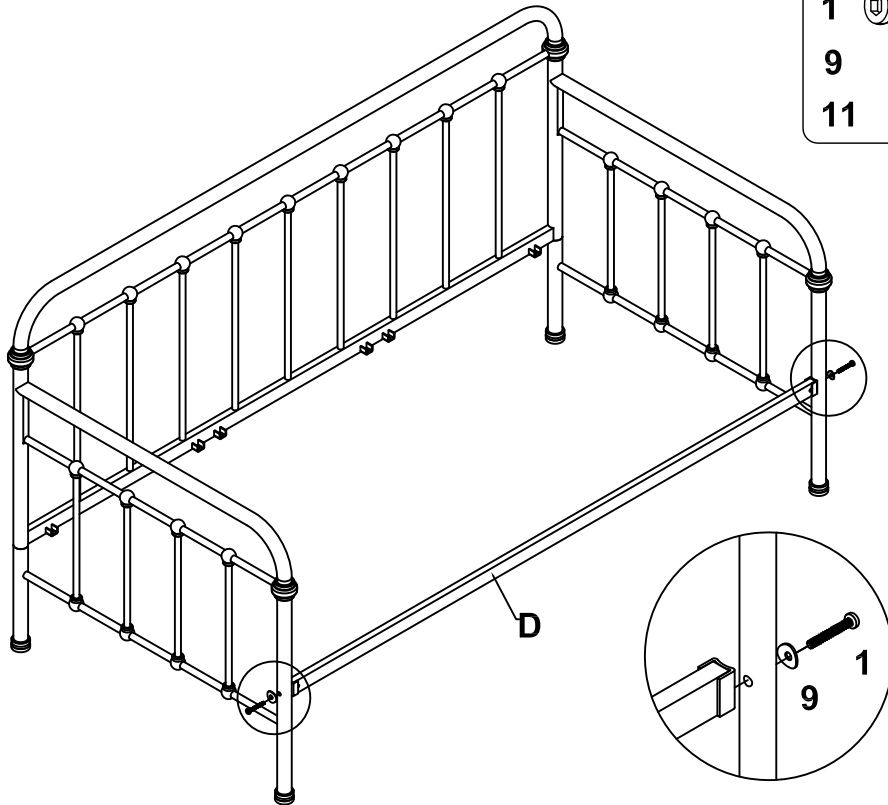
ITEM: **300398**

ASSEMBLY INSTRUCTIONS




STEP 3:

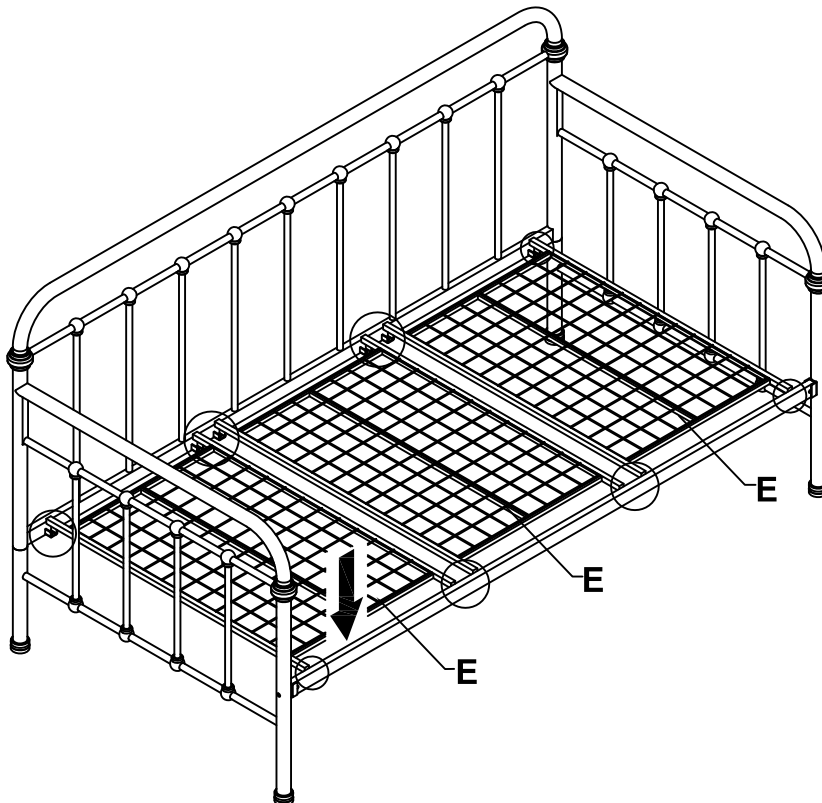


- | | | |
|----|---|------|
| 1 |  | 2PCS |
| 9 |  | 2PCS |
| 11 |  | |



STEP 4:

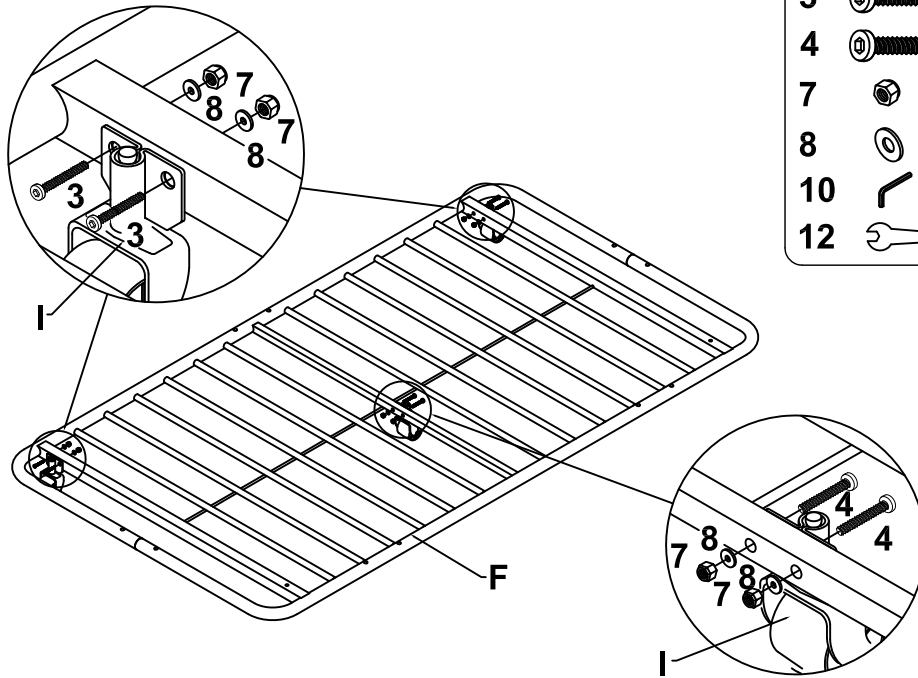
- | | | |
|----|---|-------|
| 5 |  | 12PCS |
| 8 |  | 12PCS |
| 10 |  | |



ITEM: **300398**

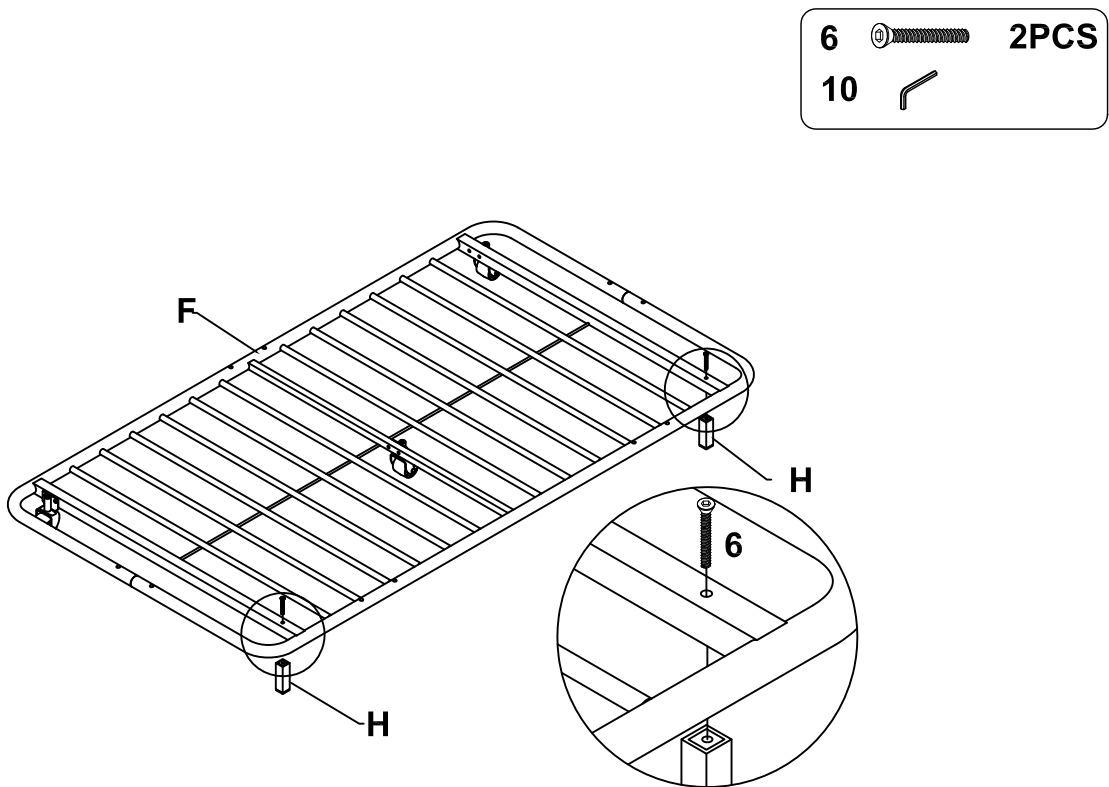
ASSEMBLY INSTRUCTIONS

STEP 5:



3		4PCS
4		2PCS
7		6PCS
8		6PCS
10		
12		

STEP 6:



6		2PCS
10		

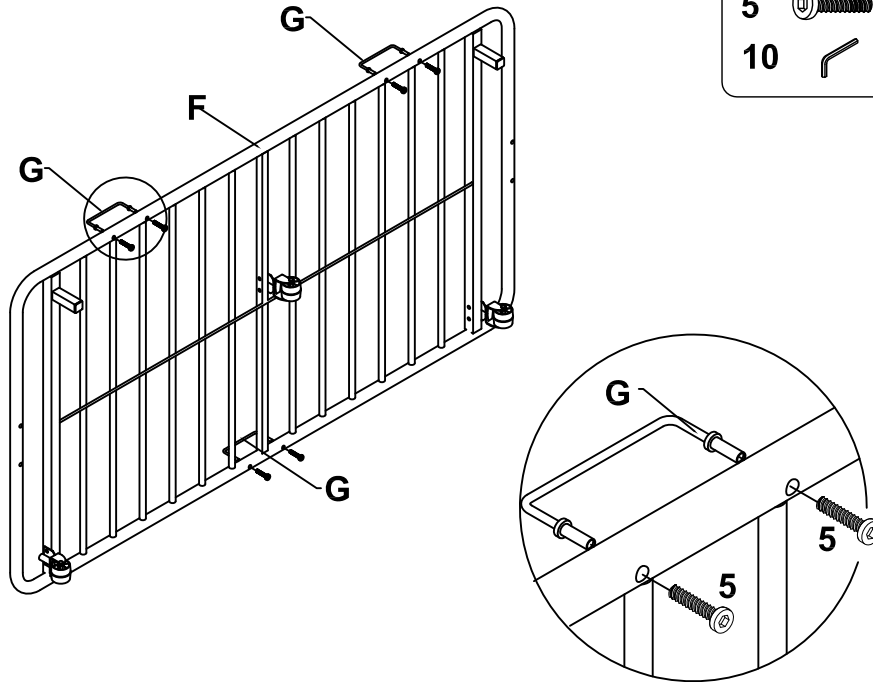
ITEM: **300398**

ASSEMBLY INSTRUCTIONS

STEP 7:

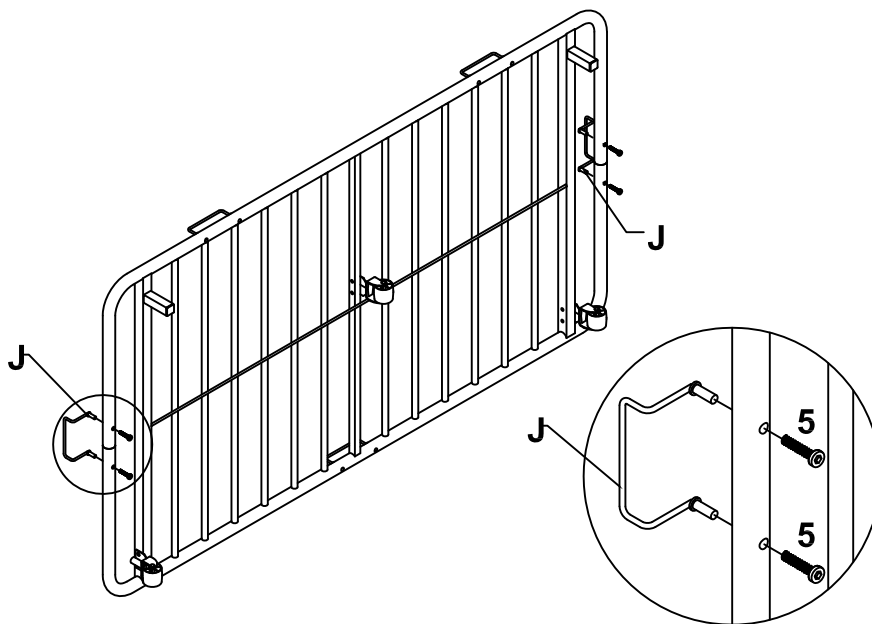


5		6PCS
10		



STEP 8:

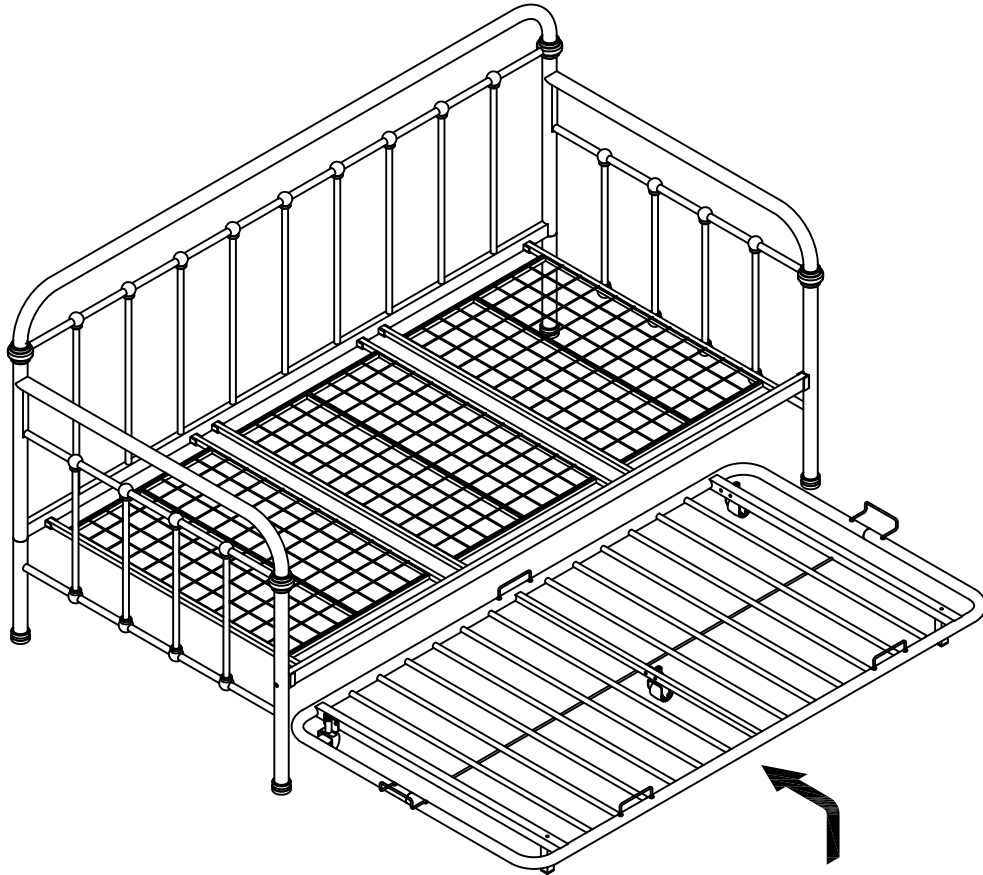
5		4PCS
10		



ITEM: **300398**

ASSEMBLY INSTRUCTIONS

STEP 9:

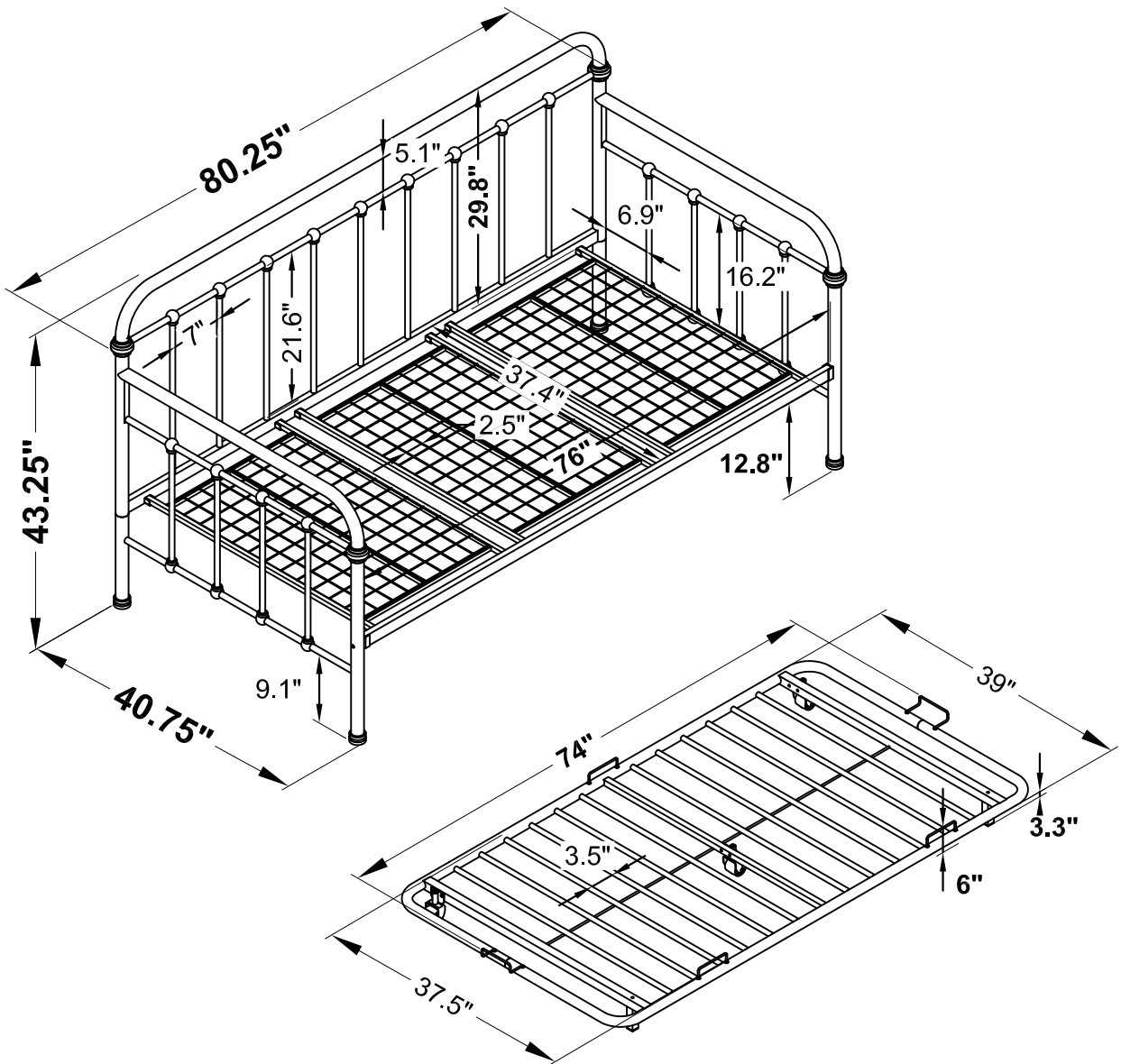


WARNINGS:

- Use only mattress which is 74"-75" long and 37 $\frac{1}{2}$ "- 38 $\frac{1}{2}$ " wide.
- Do not allow horseplay or jumping on the bed.
- Periodically check and ensure that all the components are in their proper position, free for damage, and that all connectors are tight.
- Do not use substitute parts, contact the store if you need anything replaced.
- Maximum total weight is not to exceed 400 lbs.

Keep these instructions for future reference.

ITEM:300398



Note : Dimension tolerance $\pm 5\%$