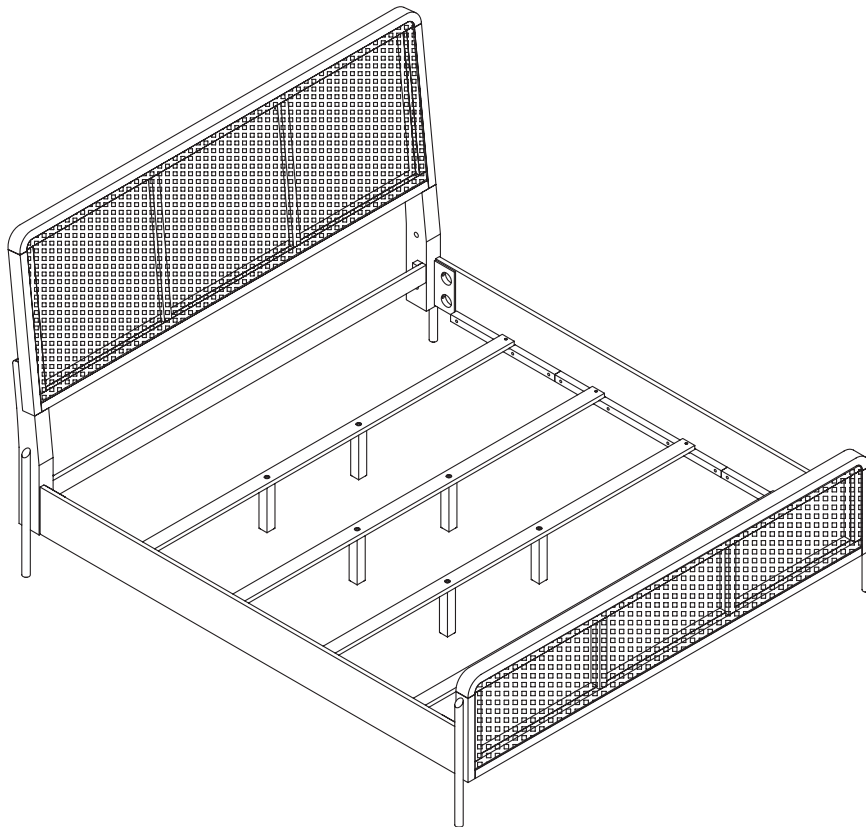


ASSEMBLY INSTRUCTIONS COASTER FINE FURNITURE



Fine Furniture for every stage of life

224330KE (B1-B3)
Eastern King Bed

ITEM: 224330KE (B1-B3)



ASSEMBLY INSTRUCTIONS

ASSEMBLY TIPS:

1. Remove hardware from box and sort by size.
2. Please check to see that all hardware and parts are present prior to start of assembly.
3. Please follow attached instructions in the same sequence as numbered to assure fast & easy assembly.



WARNING!

1. Don't attempt to repair or modify parts that are broken or defective. Please contact the store immediately.
2. This product is for home use only and not intended for commercial establishments.







ASSEMBLY TIME

25 MINUTES

PART IDENTIFICATION

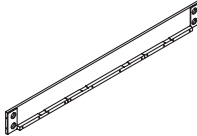
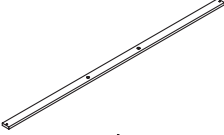

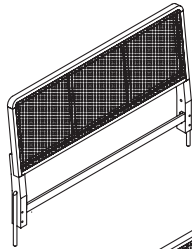
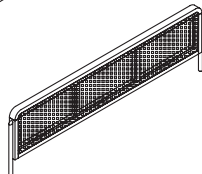
B1 (BOX 1)

| | | | |
|---|-----------------------|--|-----|
| A | HEADBOARD PANEL |  | 1PC |
| B | LEFT HEADBOARD LEG |  | 1PC |
| C | RIGHT HEADBOARD LEG |  | 1PC |
| D | HEADBOARD BOTTOM RAIL |  | 1PC |

B2 (BOX 2)

| | | | |
|---|-----------|--|-----|
| E | FOOTBOARD |  | 1PC |
|---|-----------|--|-----|

B3 (BOX 3)

| | | | |
|----|--|---|------|
| F | BED RAIL |  | 2PCS |
| G | BED SLAT |  | 4PCS |
| H | BED SLAT SUPPORT WITH LEVELER |  | 8PCS |
| HB | 224330KE(B1) *FROM BOX 1 HEADBOARD COMPLETE |  | 1PC |
| E | 224330KE(B2) *FROM BOX 2 FOOTBOARD* |  | 1PC |

ITEM: 224330KE (B1-B3)



ASSEMBLY INSTRUCTIONS

ASSEMBLY TIPS:

1. Remove hardware from box and sort by size.
2. Please check to see that all hardware and parts are present prior to start of assembly.
3. Please follow attached instructions in the same sequence as numbered to assure fast & easy assembly.


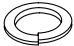





WARNING!






1. Don't attempt to repair or modify parts that are broken or defective. Please contact the store immediately.
2. This product is for home use only and not intended for commercial establishments.

HARDWARE IDENTIFICATION

Z-B1 (BOX 1) - HARDWARE PACK IS LOCATED IN 224330KE (B1)

| | | | |
|---|--|---|------|
| 1 | BOLT (5/16" x 45mm - BLK) |  | 8PCS |
| 2 | LOCK WASHER (1.6 x 14mm - BLK) |  | 8PCS |
| 3 | FLAT WASHER (1 x 18mm - BLK) |  | 8PCS |
| 4 | ALLEN WRENCH (M5 x 65mm - BLK) |  | 1PC |
| 5 | WOOD DOWEL (10 x 30mm - BRW) |  | 4PCS |

Z-B3 (BOX 3) - HARDWARE PACK IS LOCATED IN 224330KE (B3)

| | | | |
|----|---|---|------|
| 6 | FLAT HEAD SCREW (8 x 38mm - BLK) |  | 8PCS |
| 7 | THREADED BOLT (5/16" x 80mm - WHT) |  | 8PCS |
| 8 | HEX NUT (5/16" x 100mm - WHT) |  | 8PCS |
| 9 | HALF ROUND NUT (22 x 17 x 10mm - WHT) |  | 8PCS |
| 10 | WRENCH (13mm - WHT) |  | 1PC |

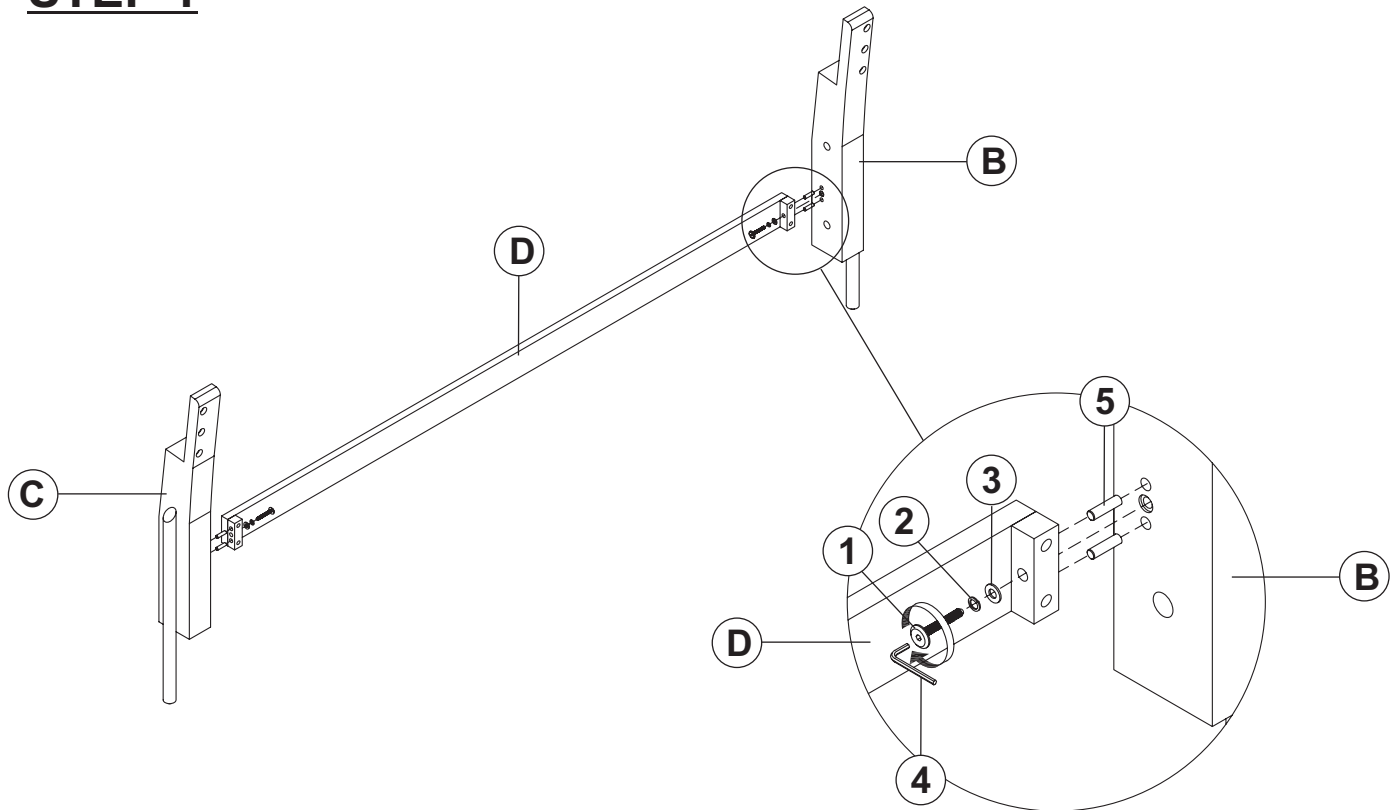
NOTE :

Philips head screw driver is required in the assembly process; however, manufacturer does not provide this item.

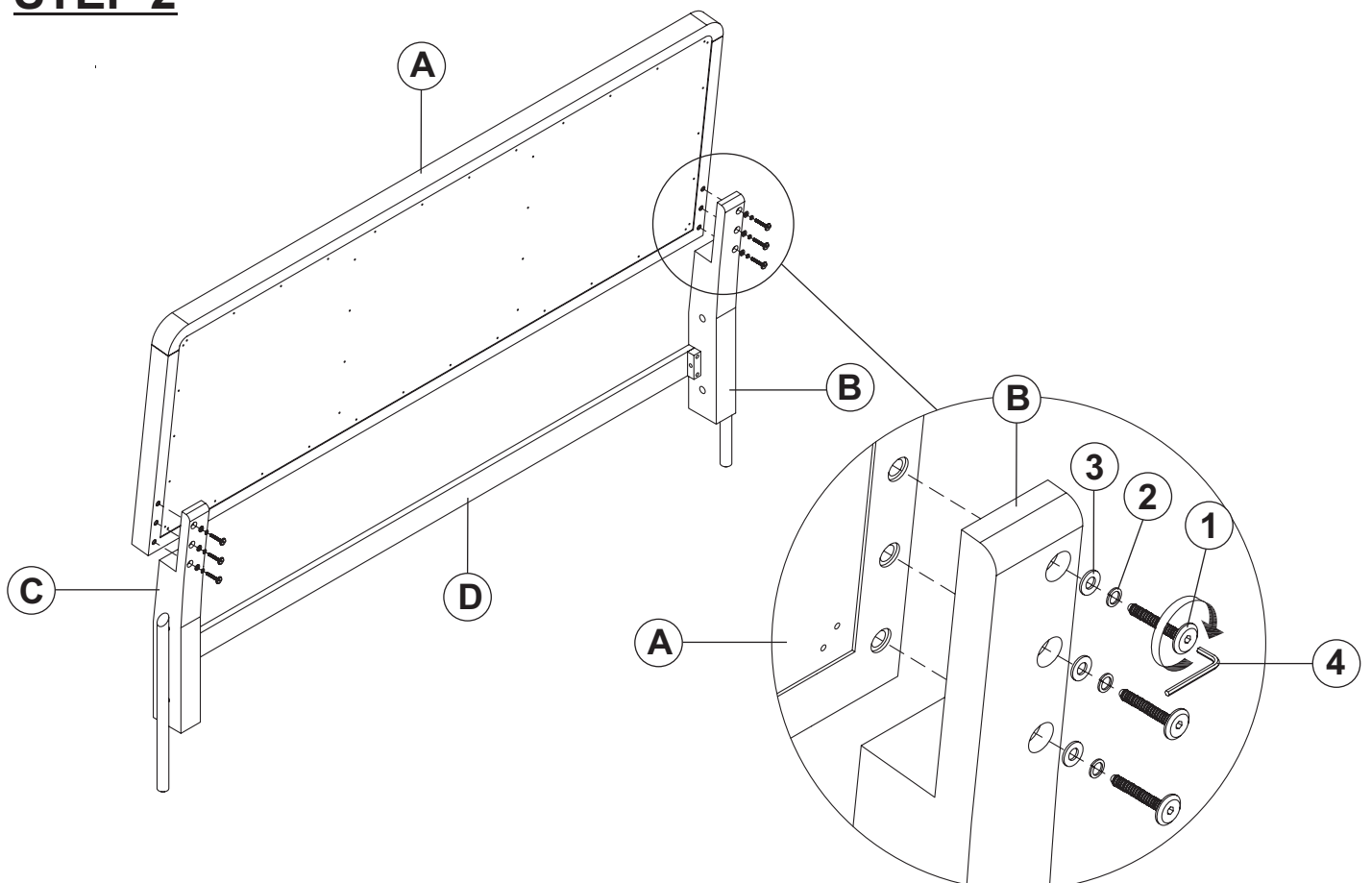
ITEM: 224330KE (B1-B3)

ASSEMBLY INSTRUCTIONS

STEP 1



STEP 2

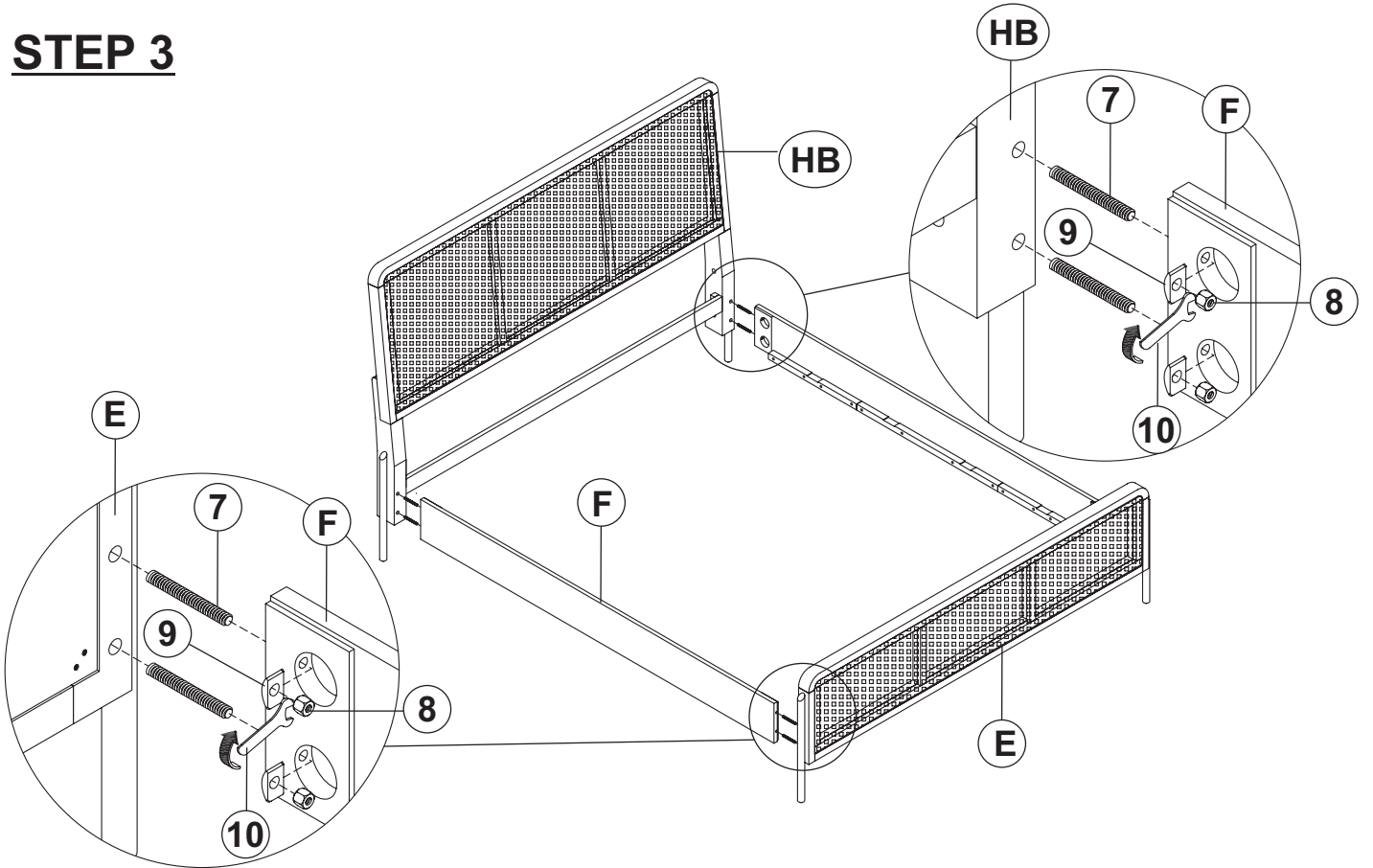


ITEM: 224330KE (B1-B3)

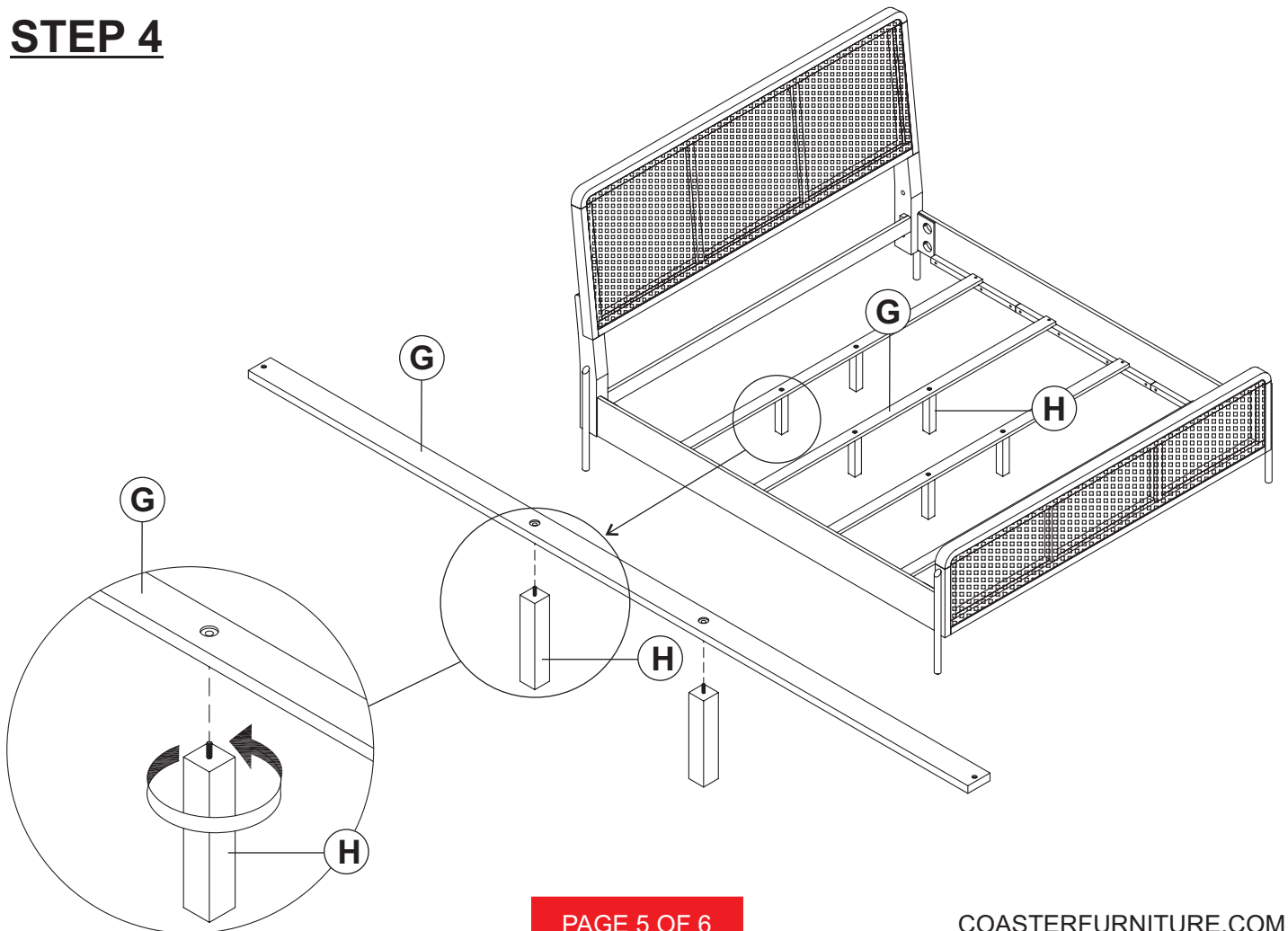
ASSEMBLY INSTRUCTIONS



STEP 3



STEP 4

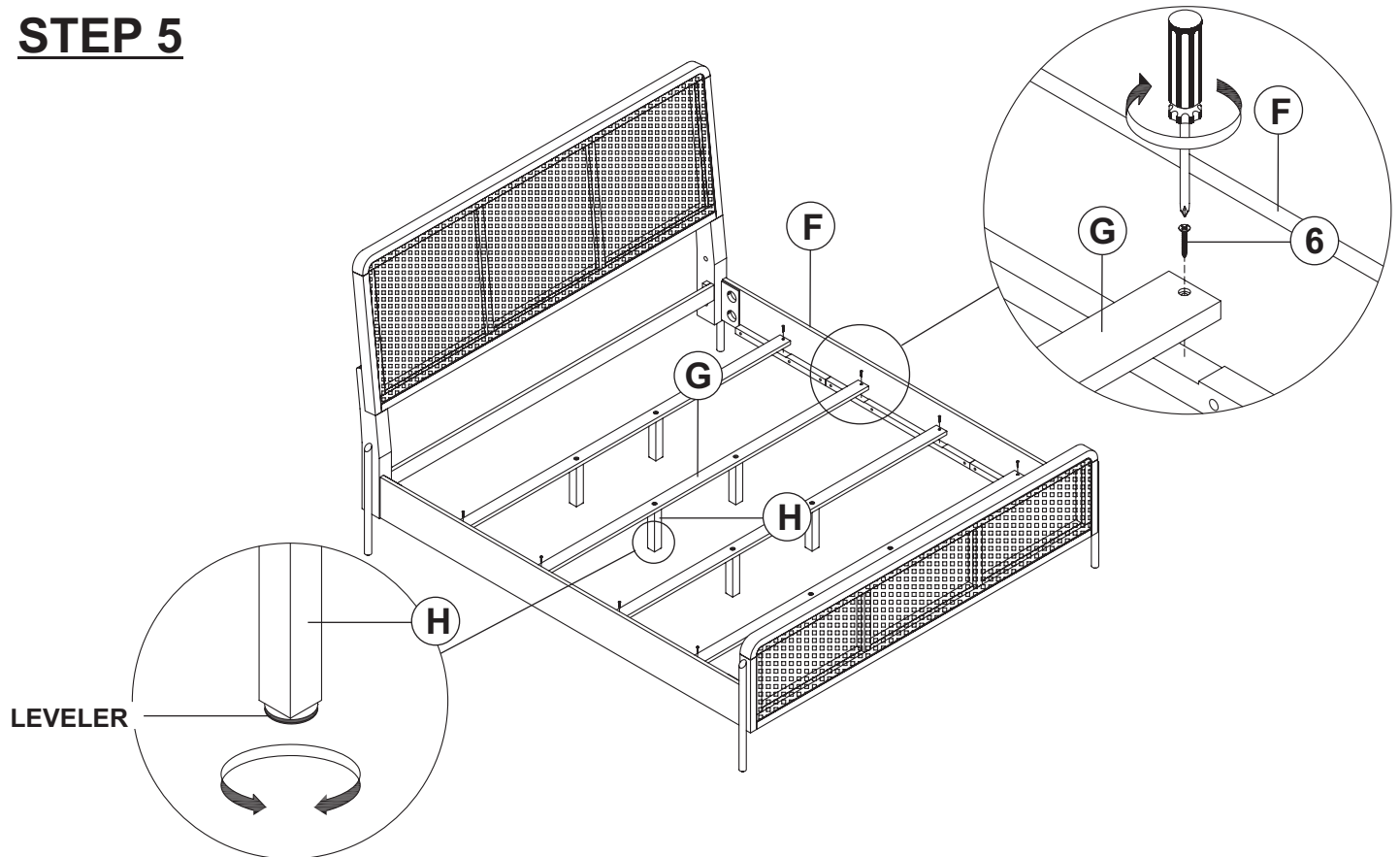


ITEM: **224330KE (B1-B3)**

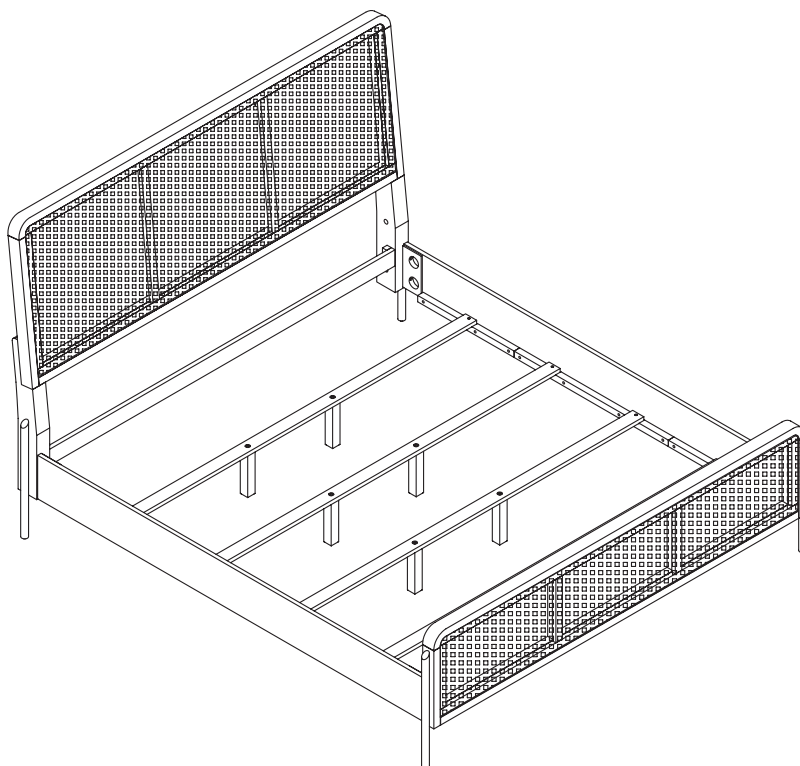
ASSEMBLY INSTRUCTIONS



STEP 5



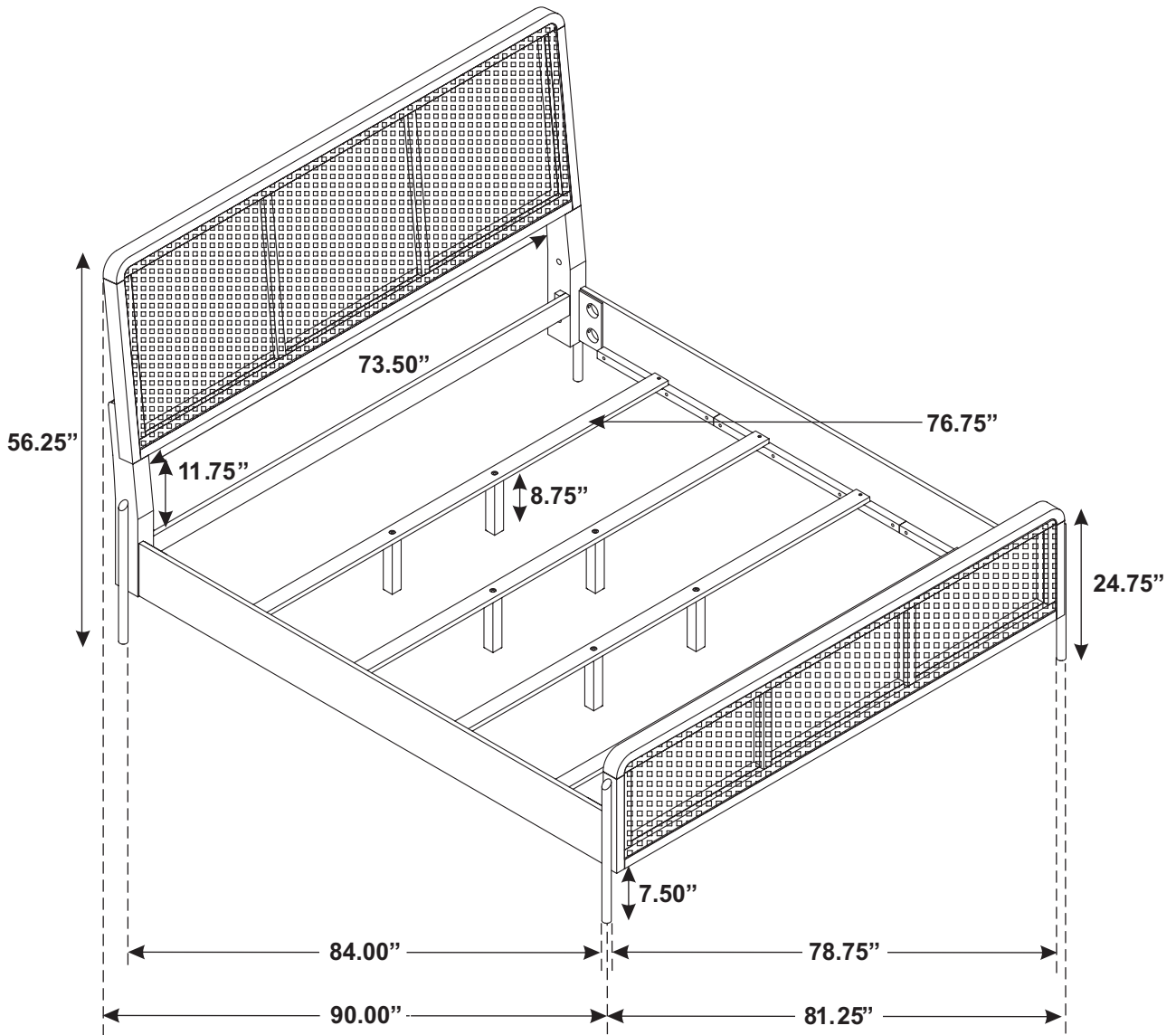
STEP 6
COMPLETE



ITEM: 224330KE (B1-B3)



Inner Size : 77.00"W x 82.00"D



Note: Dimension tolerance $\pm 5\%$