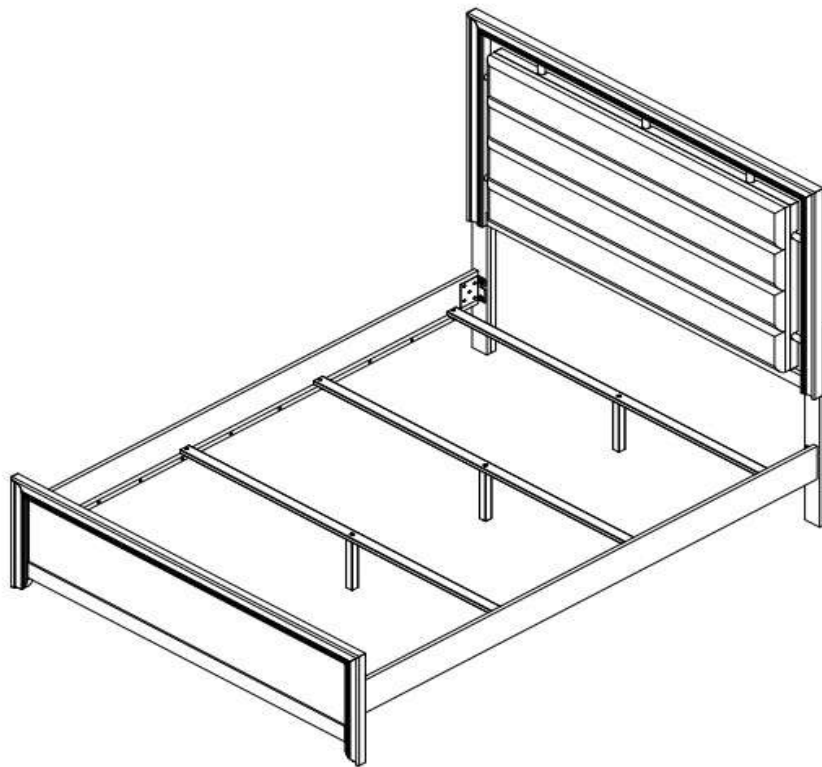


**ASSEMBLY INSTRUCTIONS**  
**COASTER FINE FURNITURE**



*Fine Furniture for every stage of life*

**224391Q (B1-B3)**  
**Eastern King Bed**

# ITEM: 224391Q (B1-B3)



## ASSEMBLY INSTRUCTIONS

### ASSEMBLY TIPS:

1. Remove hardware from box and sort by size.
2. Please check to see that all hardware and parts are present prior to start of assembly.
3. Please follow attached instructions in the same sequence as numbered to assure fast & easy assembly.



### WARNING!

1. Don't attempt to repair or modify parts that are broken or defective. Please contact the store immediately.
2. This product is for home use only and not intended for commercial establishments.



**ASSEMBLY TIME**

**20 MINUTES**

## PARTS IDENTIFICATION

### B1 ( BOX 1 )

**A HEADBOARD PANEL**  **1PC**

**B LEFT HEADBOARD LEG**  **1PC**

**C RIGHT HEADBOARD LEG**  **1PC**

### B2 ( BOX 2 )


**D FOOTBOARD**  **1PC**

**E BED SLAT**  **4PCS**

**F BED SLAT SUPPORT WITH LEVELER**  **4PCS**

### B3 ( BOX 3 )

**G BED RAIL**  **2PCS**

**HB 224391Q (B1) \*FROM BOX 1 HEADBOARD COMPLETE**  **1PC**

**D 224391Q (B2) \*FROM BOX 2 FOOTBOARD**  **1PC**

### NOTE:

Phillips head screw driver is required in the assembly process; however, manufacturer does not provide this item.

# ITEM: 224391Q (B1-B3)

## ASSEMBLY INSTRUCTIONS

### ASSEMBLY TIPS:

1. Remove hardware from box and sort by size.
2. Please check to see that all hardware and parts are present prior to start of assembly.
3. Please follow attached instructions in the same sequence as numbered to assure fast & easy assembly.







### WARNING!




1. Don't attempt to repair or modify parts that are broken or defective. Please contact the store immediately.
2. This product is for home use only and not intended for commercial establishment.

## HARDWARE IDENTIFICATION

### Z-B1 (BOX 1) - HARDWARE PACK IS LOCATED IN 224391Q (B1)

1	<b>LONG BOLT</b> (M6 x 35mm - BLK)		8PCS
2	<b>LOCK WASHER</b> (M8 - BLK)		8PCS
3	<b>BIG FLAT WASHER</b> (M8 x 18mm - BLK)		8PCS
4	<b>SMALL ALLEN WRENCH</b> (M4 x 65mm - BLK)		1PC

### Z-B2 (BOX 2) - HARDWARE PACK IS LOCATED IN 224391Q (B2)

5	<b>SHORT BOLT</b> (M8 x 20mm - RBW)		8PCS
6	<b>BIG FLAT WASHER</b> (M8 x 18mm - RBW)		8PCS
7	<b>BIG ALLEN WRENCH</b> (M5 x 65mm - BLK)		1PC
8	<b>PAN HEAD SCREW</b> (M4 x 32mm - BLK)		8PCS

### NOTE:

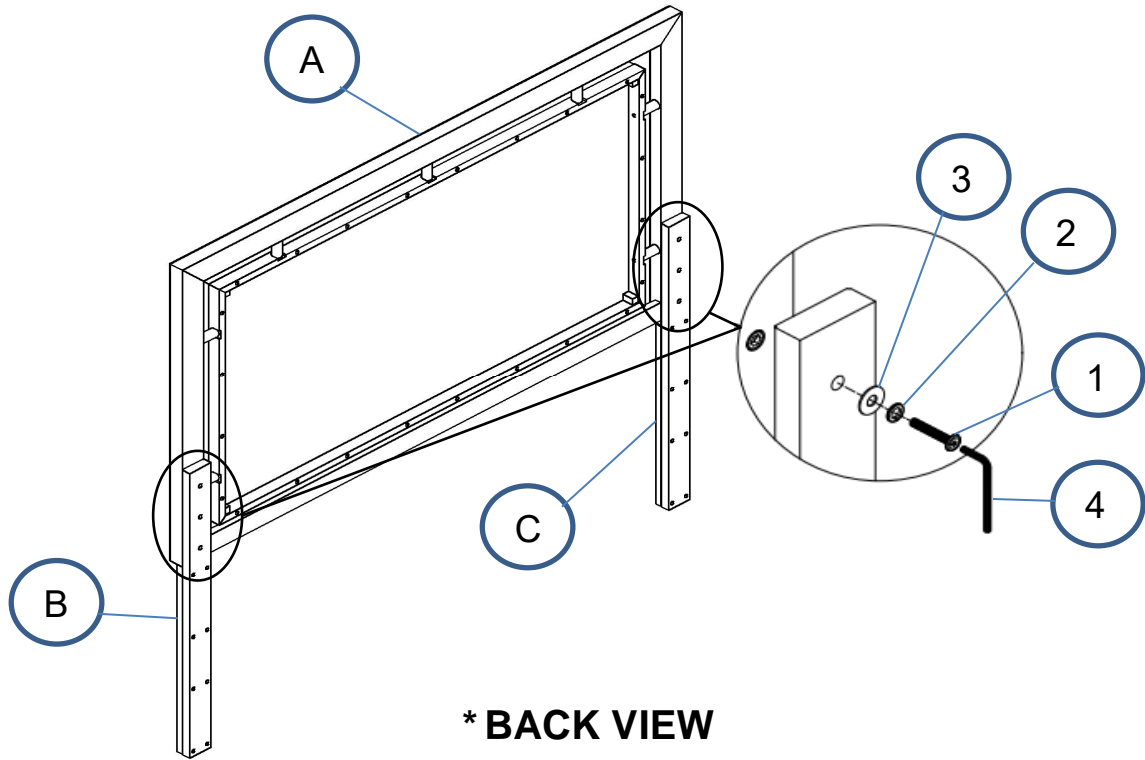
Phillips head screw driver is required in the assembly process; however, manufacturer does not provide this item.

ITEM: **224391Q(B1-B3)**



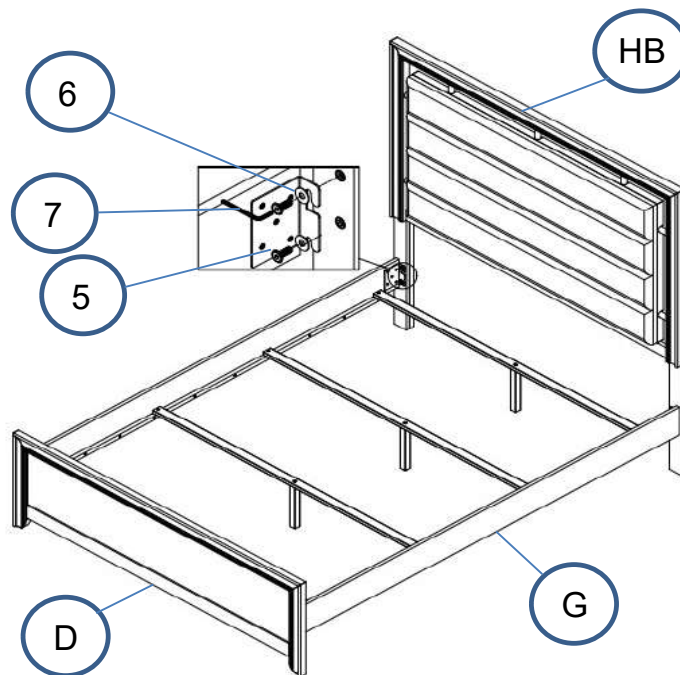
**ASSEMBLY INSTRUCTIONS**

**STEP 1**



**\* BACK VIEW**

**STEP 2**

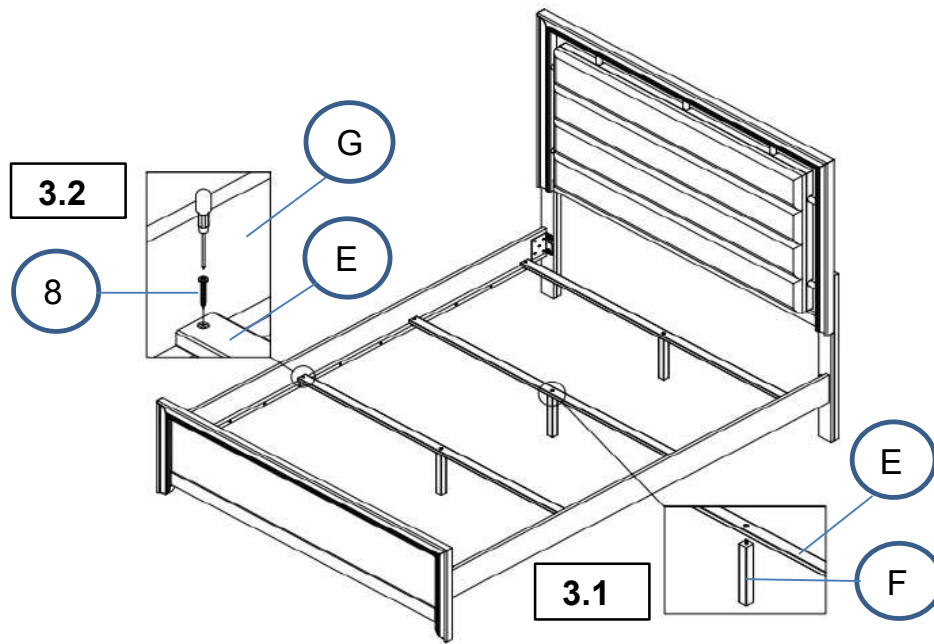


ITEM: **224391Q(B1-B3)**

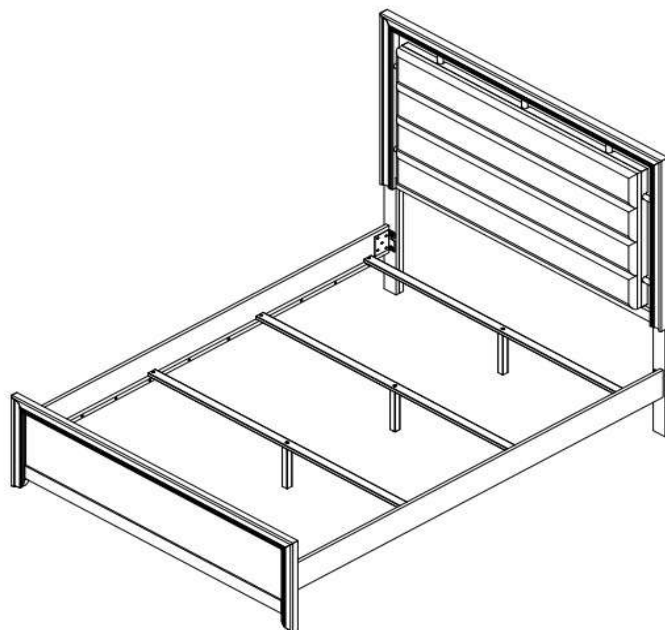


**ASSEMBLY INSTRUCTIONS**

**STEP 3**



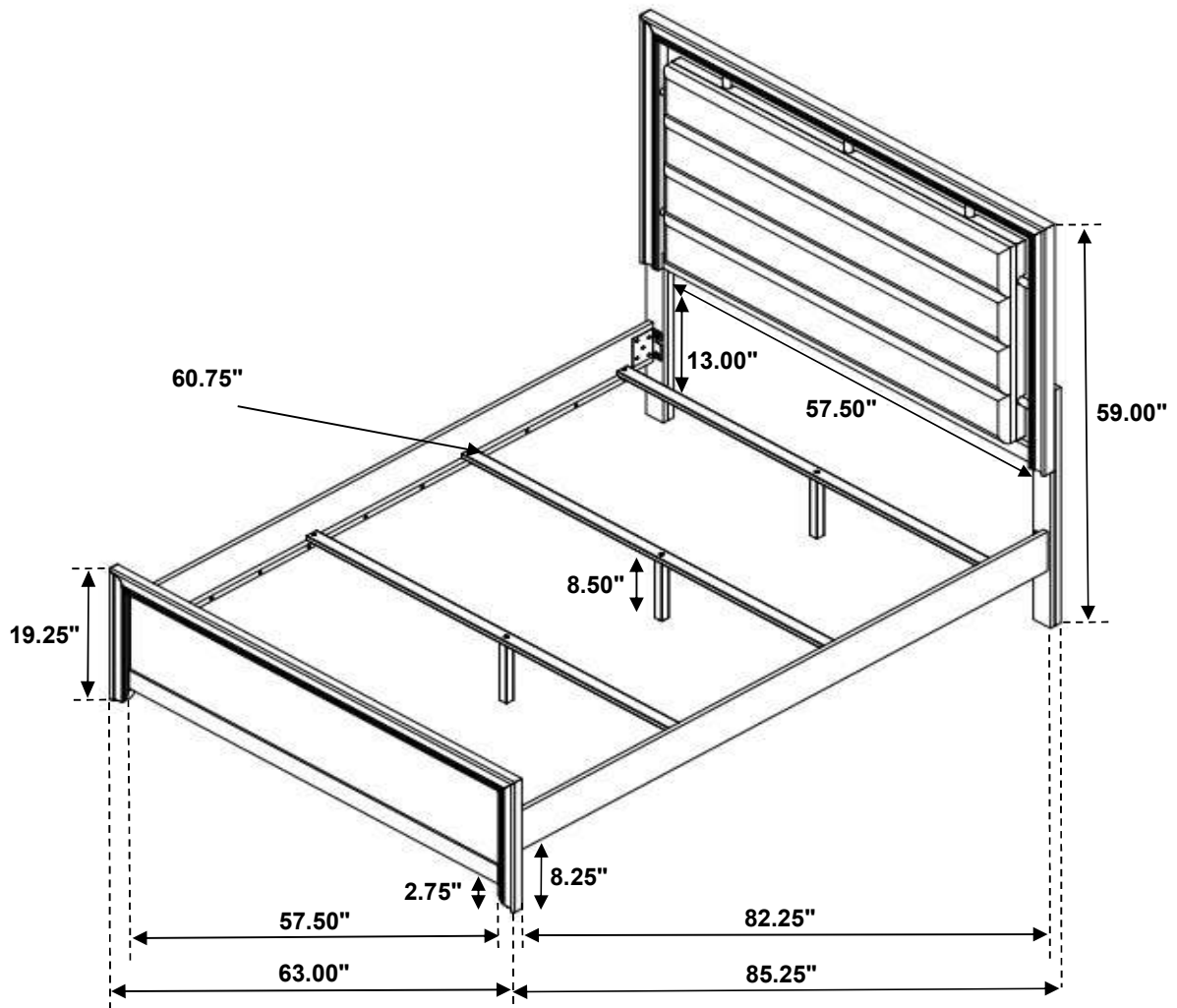
**STEP 4**  
**COMPLETE**



# ITEM: 224391Q(B1-B3)



Inner Size : 60.75"W x 79.75"D



Note: Dimension tolerance  $\pm 5\%$