

ASSEMBLY INSTRUCTIONS
COASTER FINE FURNITURE



Fine Furniture for every stage of life

224394
Mirror

ITEM:224394



ASSEMBLY INSTRUCTIONS

ASSEMBLY TIPS:

1. Remove hardware from box and sort by size.
2. Please check to see that all hardware and parts are present prior to start of assembly.
3. Please follow attached instructions in the same sequence as numbered to assure fast & easy assembly.



WARNING!

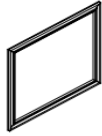


1. Don't attempt to repair or modify parts that are broken or defective. Please contact the store immediately.
2. This product is for home use only and not intended for commercial establishments.







ASSEMBLY TIME

5 MINUTES

PARTS IDENTIFICATION

A	MIRROR		1PC
B	MIRROR SUPPORT (PACKED WITH MIRROR)		2PCS
C	DRESSER FROM BOX ITEM# 224393		1PC

HARDWARE IDENTIFICATION

1	BOLT (M6 x 35mm - BLK)		8PCS
2	FLAT WASHER (M8 x 18mm - BLK)		8PCS
3	LOCK WASHER (M8 - BLK)		8PCS
4	ALLEN WRENCH (M4 x 65mm - BLK)		1PCS

NOTE:

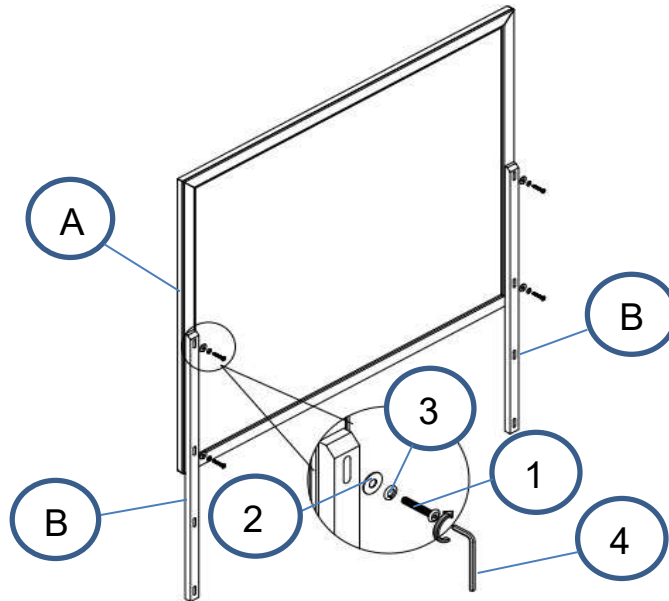
Phillips head screw driver is required in the assembly process; however, manufacturer does not provide this item.

ITEM: **224394**

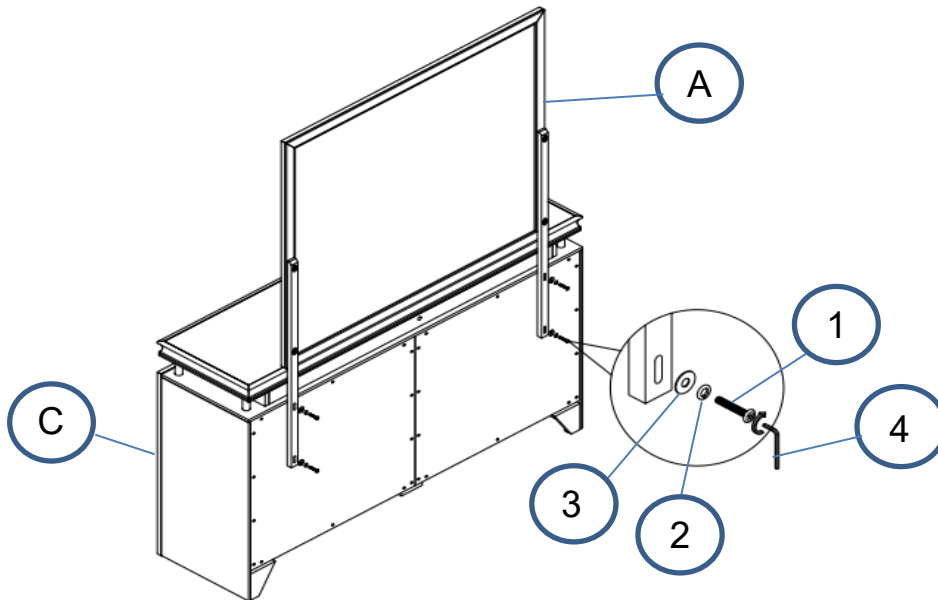
ASSEMBLY INSTRUCTIONS

STEP 1

* **BACK VIEW**

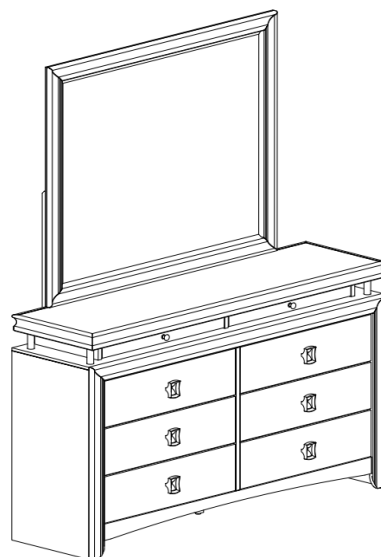


STEP 2

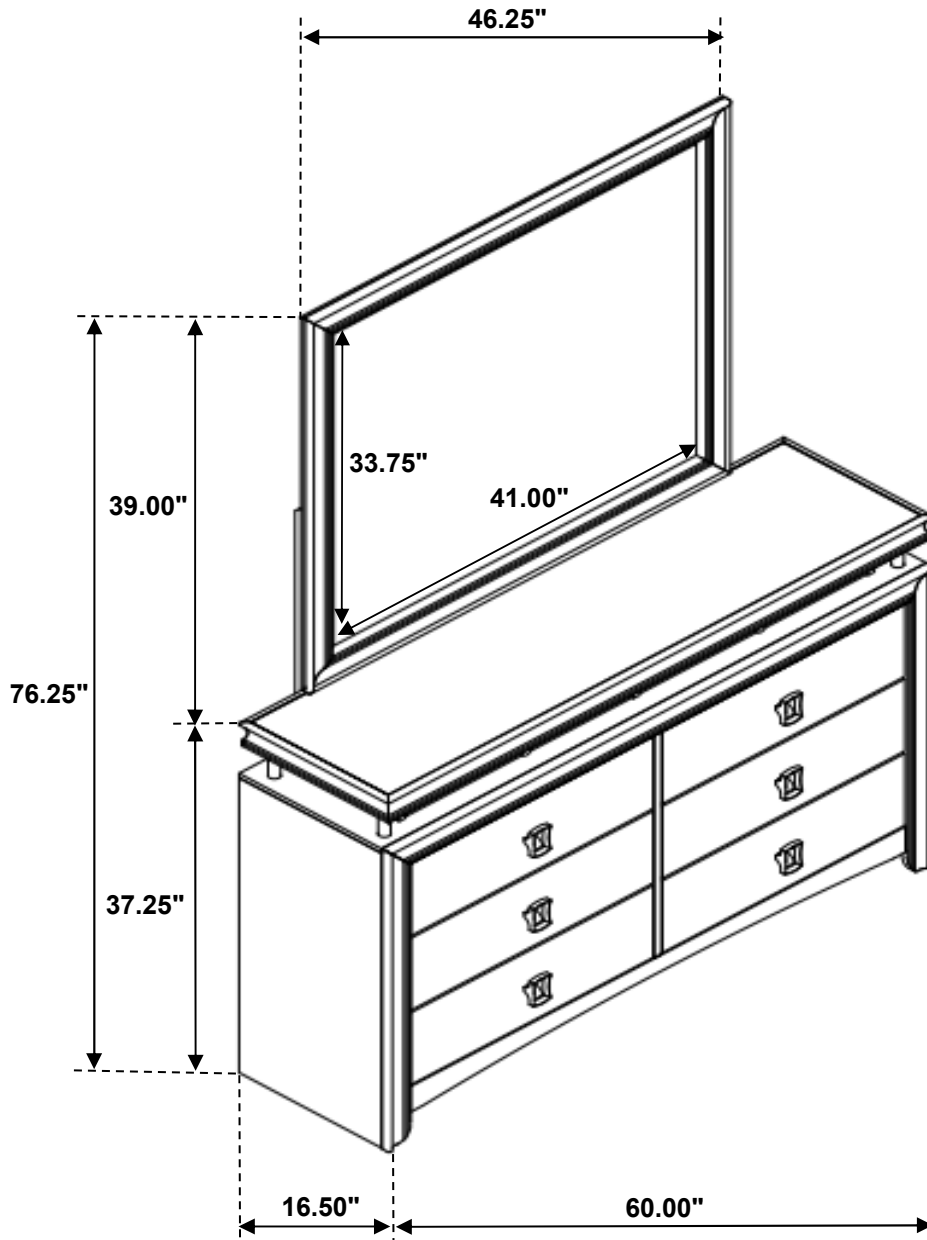


STEP 3

COMPLETE



ITEM:224394



Note: Dimension tolerance $\pm 5\%$