

ASSEMBLY INSTRUCTIONS
COASTER FINE FURNITURE



Fine Furniture for every stage of life

224754
Mirror

ITEM: 224754



ASSEMBLY INSTRUCTIONS

ASSEMBLY TIPS:

- 1.Remove hardware from box and sort by size.
- 2.Please check to see that all hardware and parts are present prior to start of assembly.
- 3.Please follow attached instruction in the same sequence as numbered to assure fast & easy assembly.



WARNING!

- 1.Don't attempt to repair or modify parts that are broken or defective. Please contact the store immediately.
- 2.This product is for home use only and not intended for commercial establishments.

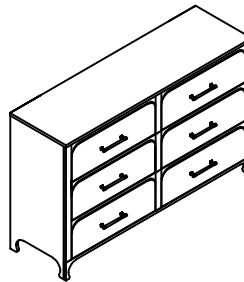


ASSEMBLY TIME

5 MINUTES

PARTS IDENTIFICATION

A DRESSER
FROM BOX ITEM# 224753



1PC

B MIRROR



1PC

C MIRROR SUPPORT
(PACKED WITH DRESSER)



2PCS

HARDWARE IDENTIFICATION

1 BOLT
(Ø1/4" x 38mm - RBW)



6PCS

3 FLAT WASHER
(Ø1/4" x 19 x 2mm - RBW)



6PCS

2 LOCK WASHER
(Ø1/4" x 11 x 2mm - RBW)



6PCS

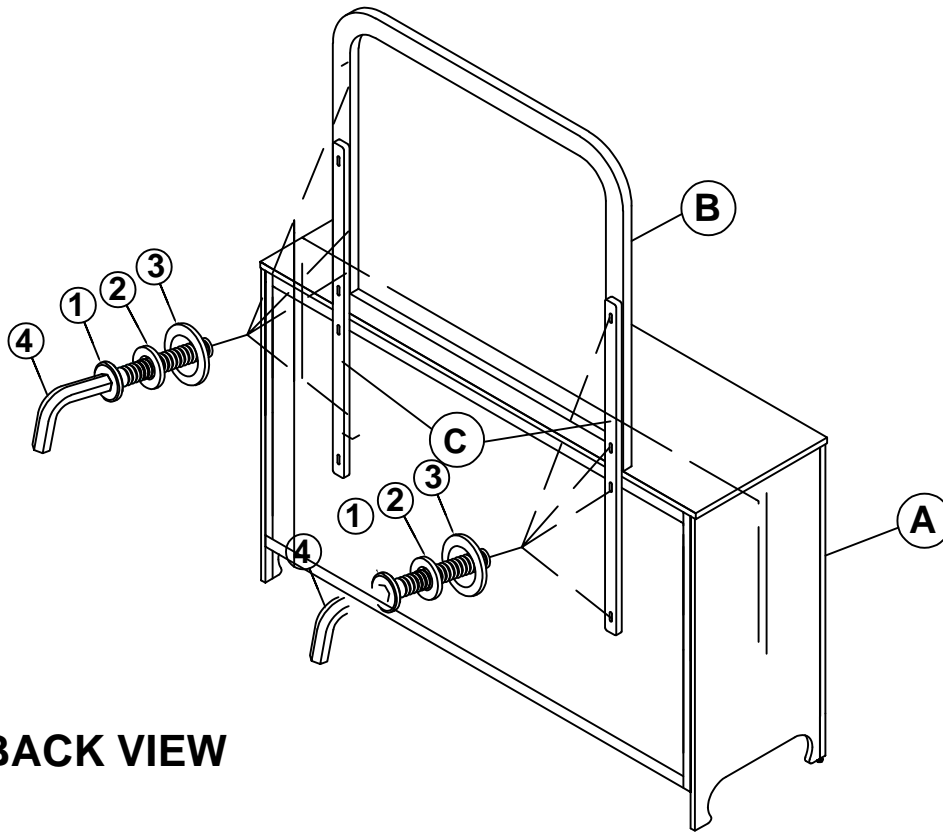
4 ALLEN WRENCH
(M4 x 58mm - RBW)



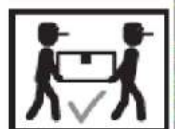
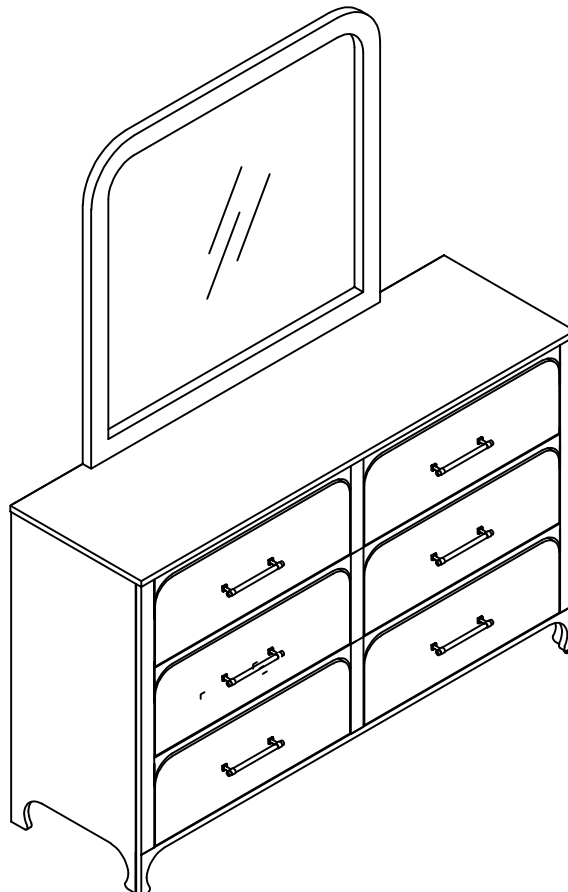
1PC

ITEM: **224754**
ASSEMBLY INSTRUCTIONS

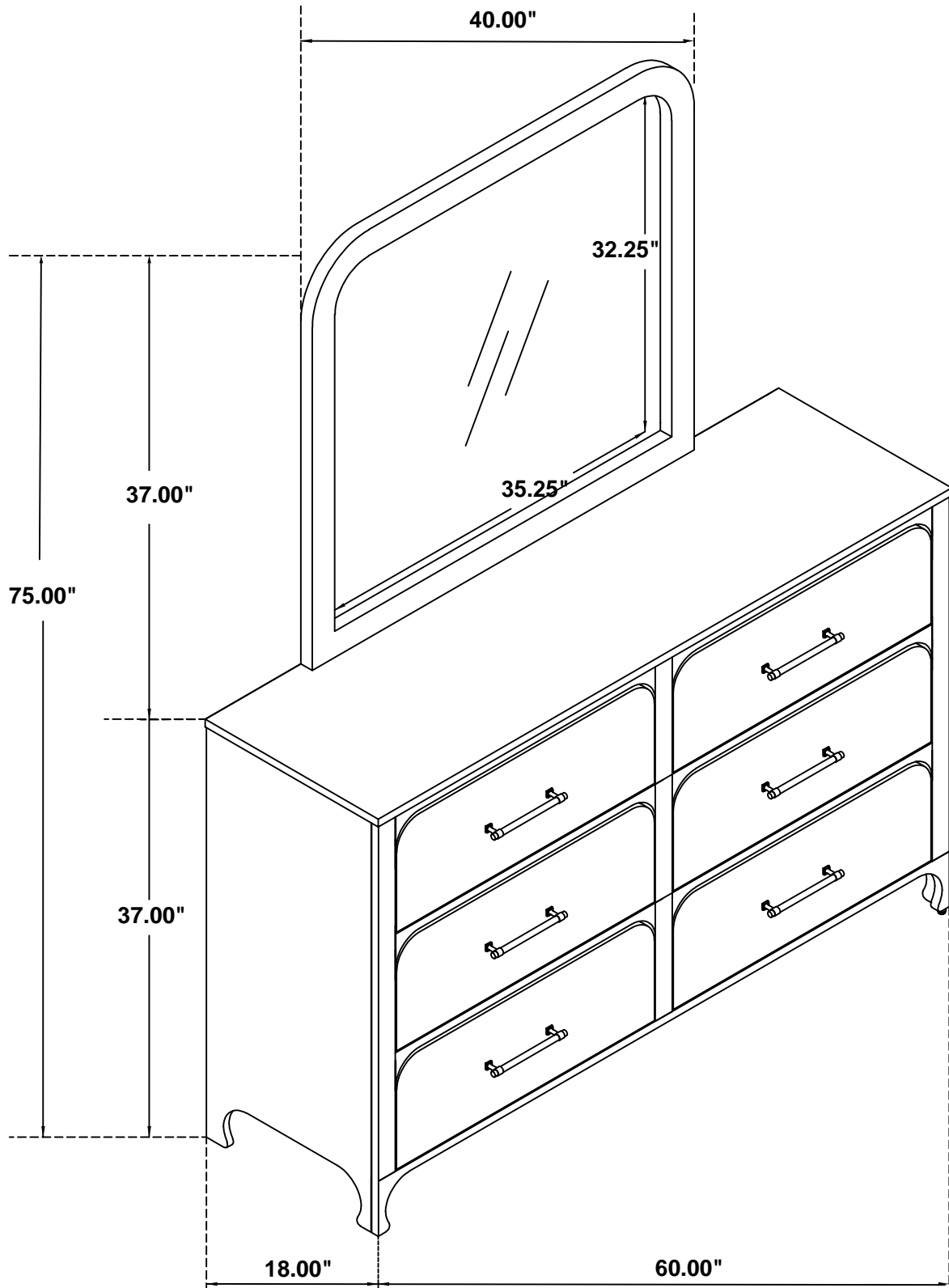
STEP 1



STEP 2
COMPLETE



ITEM: 224754



Note: Dimension tolerance $\pm 5\%$