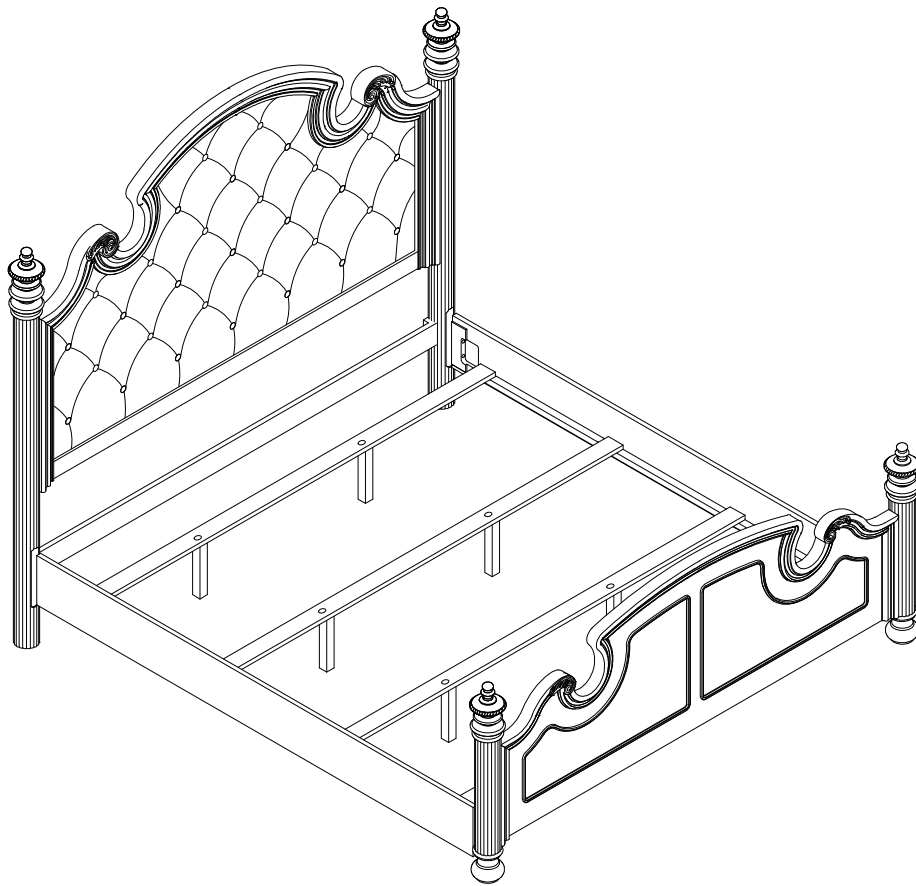


ASSEMBLY INSTRUCTIONS
COASTER FINE FURNITURE



Fine Furniture for very stage of life

224761KE(B1-B3)
Eastern King Bed

ITEM: 224761KE(B1-B3)



ASSEMBLY INSTRUCTIONS

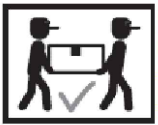
ASSEMBLY TIPS:

- 1.Remove hardware from box and sort by size.
- 2.Please check to see that all hardware and parts are present prior to start of assembly.
- 3.Please follow attached instruction in the same sequence as numbered to assure fast & easy assembly.



WARNING!

- 1.Don't attempt to repair or modify parts that are broken or defective. Please contact the store immediately.
- 2.This product is for home use only and not intended for commercial establishments.

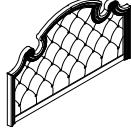
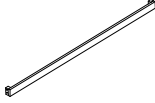





ASSEMBLY TIME




25 MINUTES

PARTS IDENTIFICATION


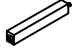

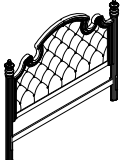
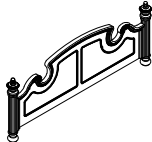
B1 (BOX 1)

A HEADBOARD PANEL		1PC		B HEADBOARD BOTTOM RAIL		1PC
C RIGHT HEADBOARD LEG		1PC		D LEFT HEADBOARD LEG		1PC
E HEADBOARD FINAL		2PCS				

B2 (BOX 2)

F FOOTBOARD		1PC		G FOOTBOARD FINAL		2PCS
H FOOTBOARD BUN FOOT		2PCS				

B3 (BOX 3)

I BED RAIL		2PCS		J BED SLAT SUPPORT WITH LEVELER		8PCS
K BED SLAT		4PCS				
HB 224761KE (B1) FROM BOX 1 HEADBOARD COMPLETE		1PC		FB 224761KE (B2) FROM BOX 2 FOOTBOARD COMPLETE		1PC

NOTE:

Phillips head screw driver is required in the assembly process; however, manufacturer does not provide this item.

ITEM: 224761KE(B1-B3)



ASSEMBLY INSTRUCTIONS

ASSEMBLY TIPS:

- 1.Remove hardware from box and sort by size.
- 2.Please check to see that all hardware and parts are present prior to start of assembly.
- 3.Please follow attached instruction in the same sequence as numbered to assure fast & easy assembly.











WARNING!







- 1.Don't attempt to repair or modify parts that are broken or defective. Please contact the store immediately.
- 2.This product is for home use only and not intended for commercial establishments.

HARDWARE IDENTIFICATION

Z-B1 (BOX 1) - HARDWARE PACK IS LOCATED IN 224761KE (B1)

1	BOLT (Ø5/16" x 50MM-RBW)		4PCS	2	LOCK WASHER (Ø5/16" - RBW)		4PCS
3	FLAT WASHER (Ø5/16" - RBW)		4PCS	4	ALLEN WRENCH (5MM- RBW)		1PC
5	THREADED BOLT (Ø5/16" x 70MM - RBW)		4PCS	6	HALF ROUND NUT (Ø5/16" - RBW)		4PCS
7	HEX NUT (Ø5/16" x 12MM- RBW)		4PCS	8	WRENCH (12MM - RBW)		1PC

Z-B3 (BOX 3) - HARDWARE PACK IS LOCATED IN 224761KE (B3)

9	THREADED BOLT (Ø5/16" x 90MM - RBW)		8PCS	10	FLAT HEAD SCREW (#4 x 30MM - RBW)		8PCS
11	HEX NUT (Ø5/16" x 12MM- RBW)		8PCS	12	WRENCH (12MM - RBW)		1PC
13	LOCK WASHER (Ø5/16" - RBW)		8PCS	14	FLAT WASHER (Ø5/16" - RBW)		8PCS

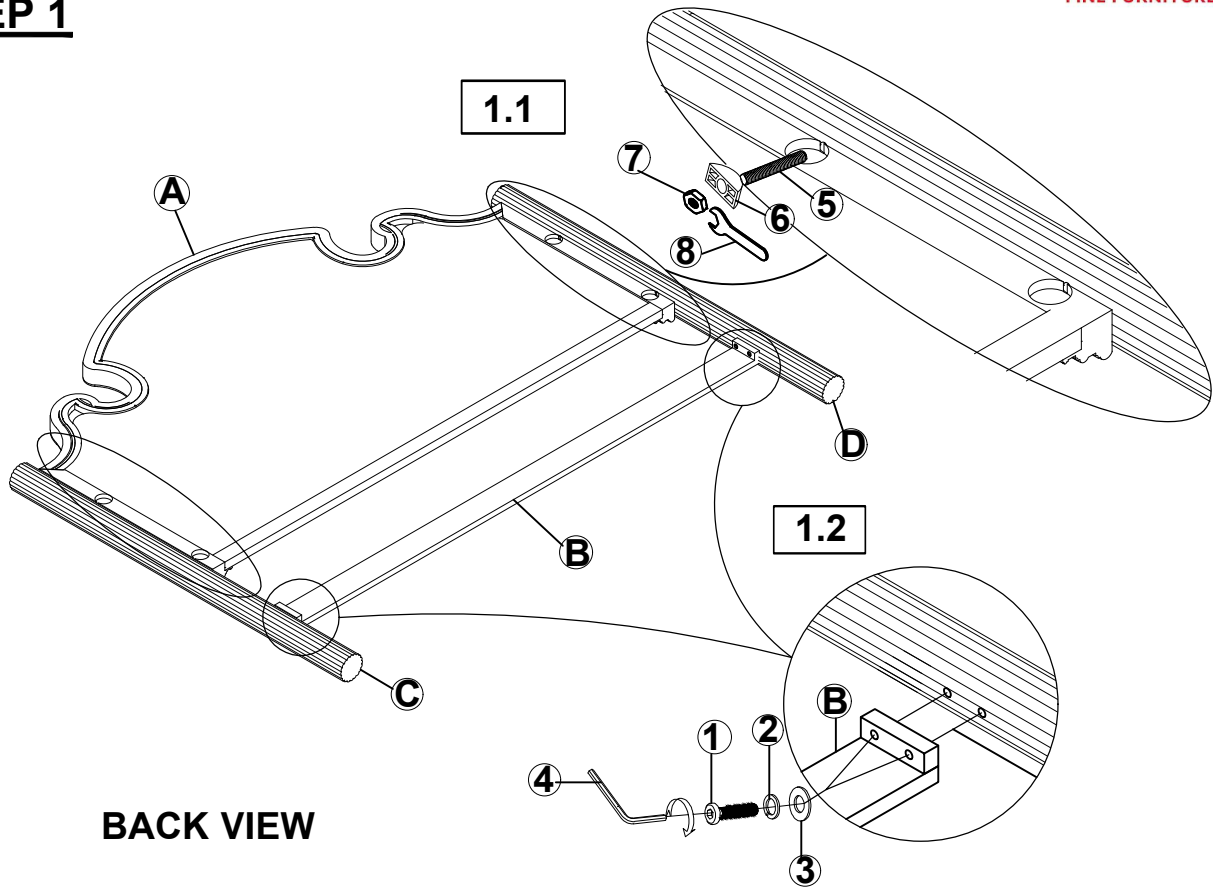
NOTE:

Phillips head screw driver is required in the assembly process; however, manufacturer does not provide this item.

ITEM: 224761KE(B1-B3)

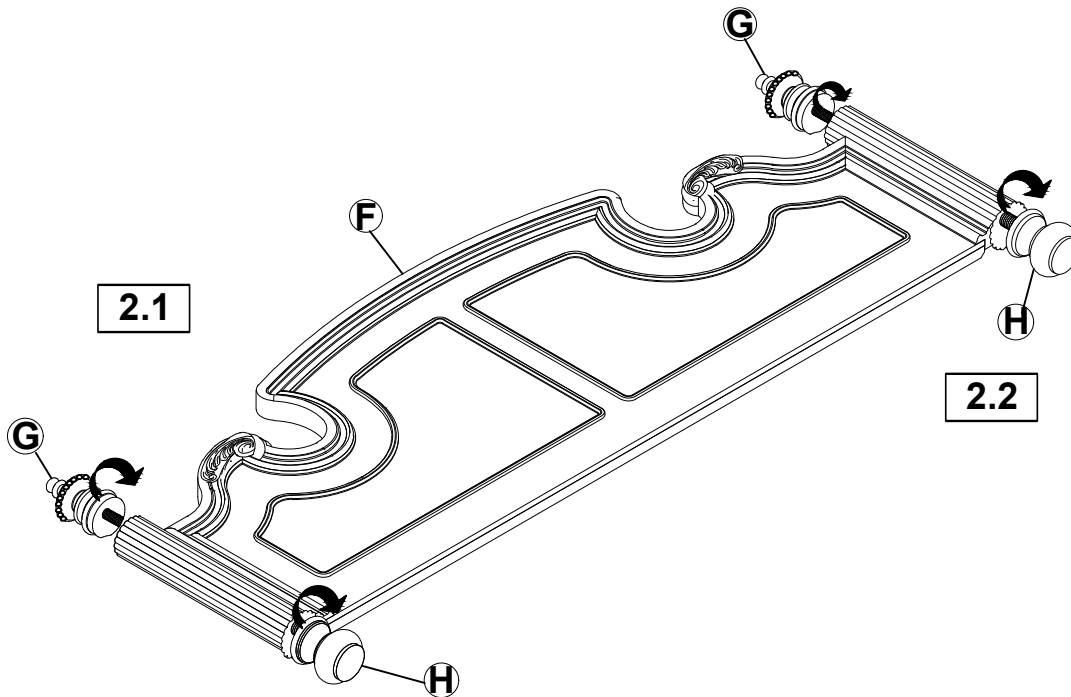
ASSEMBLY INSTRUCTIONS

STEP 1



BACK VIEW

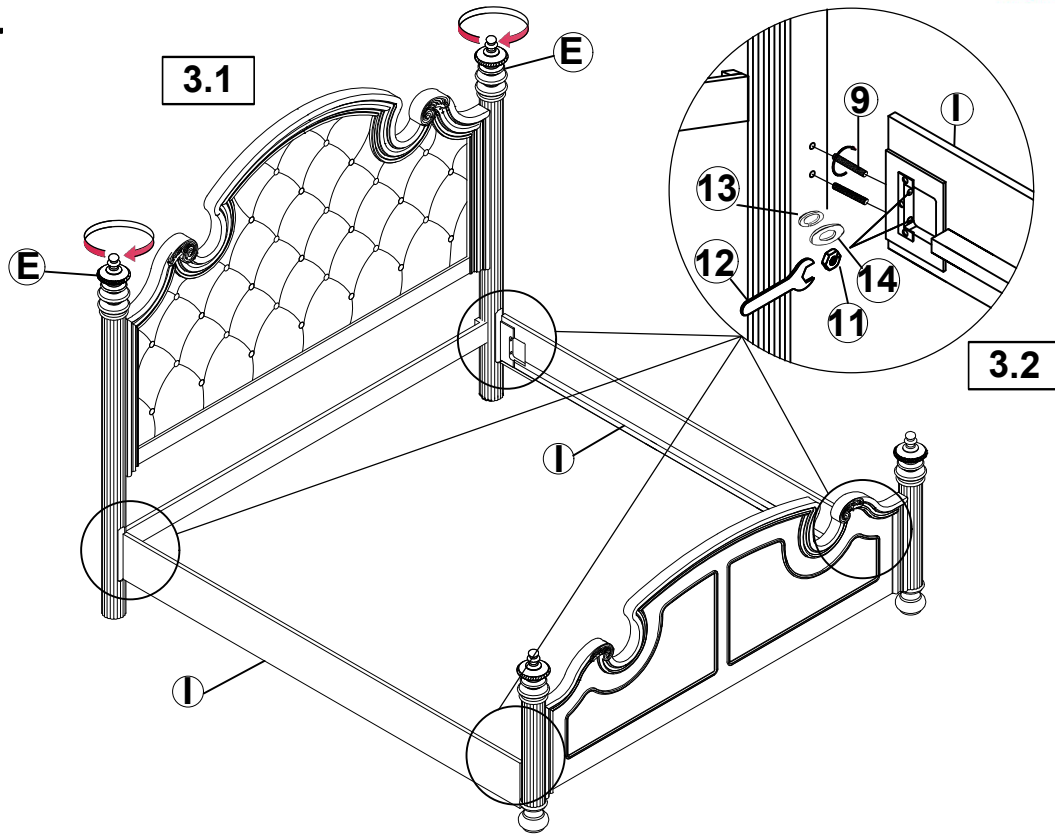
STEP 2



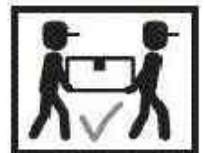
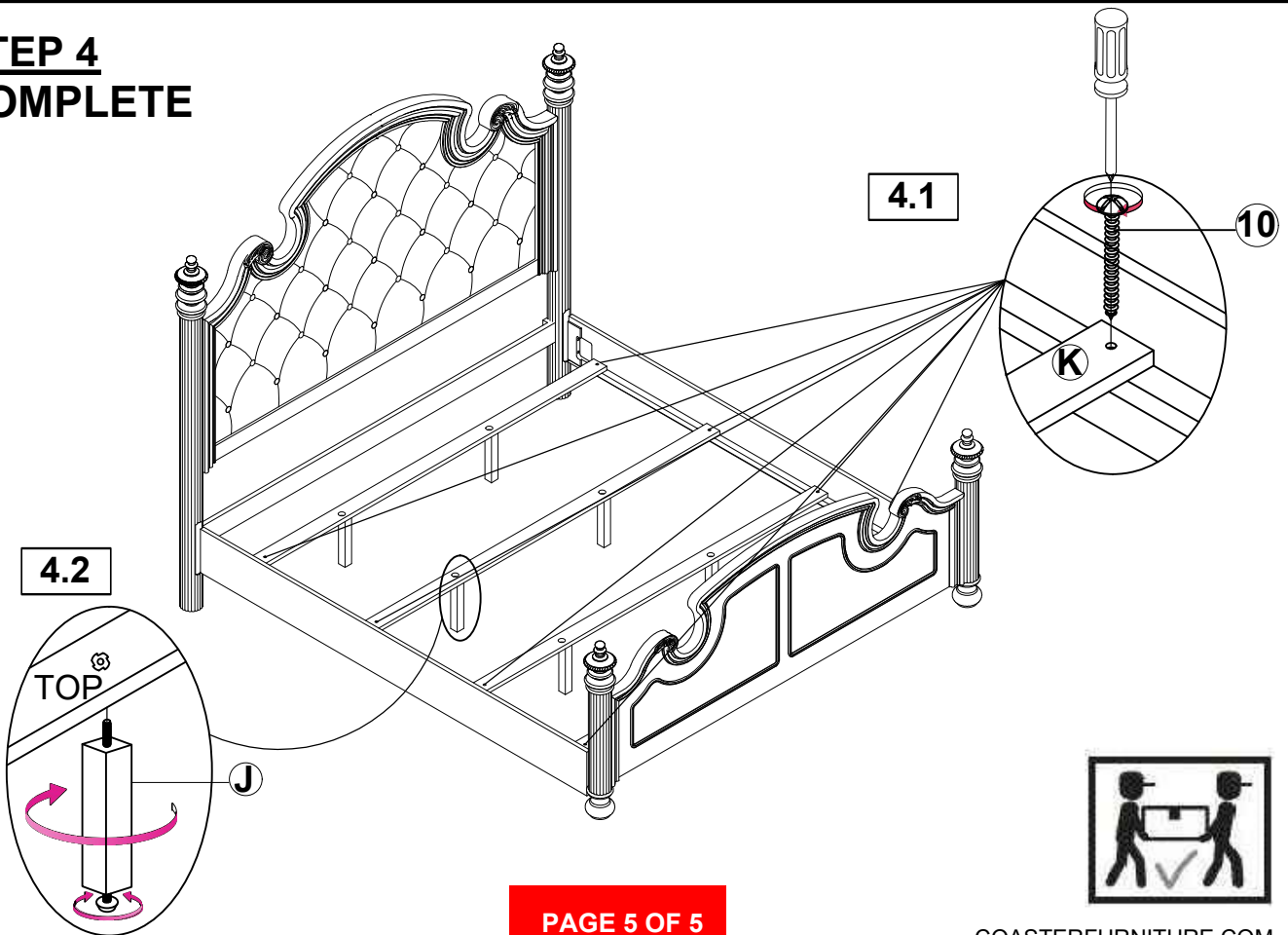
ITEM: 224761KE(B1-B3)

ASSEMBLY INSTRUCTIONS

STEP 3



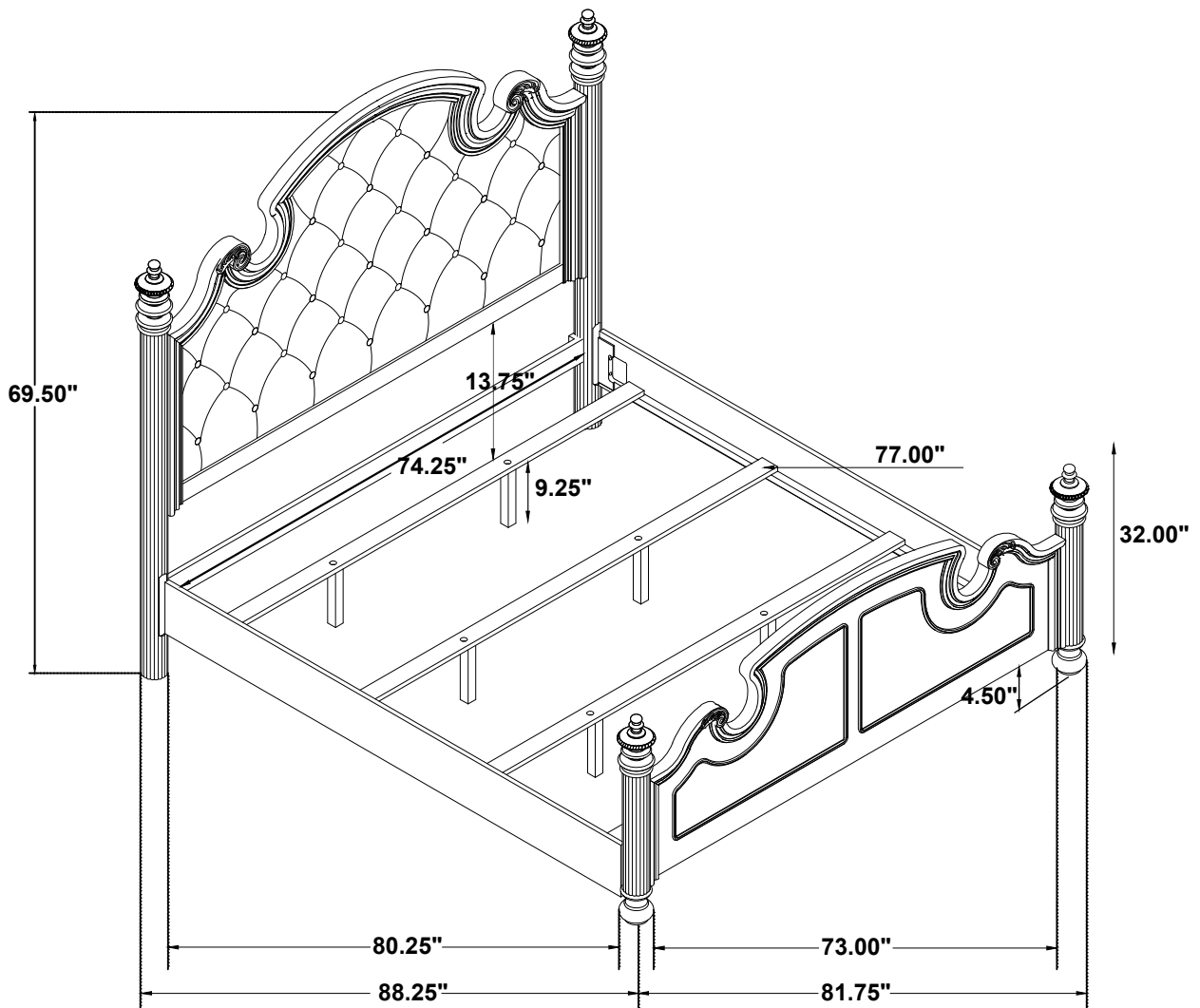
STEP 4 COMPLETE



ITEM: 224761KE(B1-B3)



Inner Size : 81.00"W X 77.00"D



Note: Dimension tolerance $\pm 5\%$