

ASSEMBLY INSTRUCTIONS
COASTER FINE FURNITURE



Fine Furniture for very stage of life

224764
Mirror

ITEM: 224764

ASSEMBLY INSTRUCTIONS



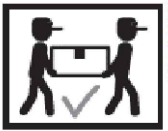
ASSEMBLY TIPS:

- 1.Remove hardware from box and sort by size.
- 2.Please check to see that all hardware and parts are present prior to start of assembly.
- 3.Please follow attached instruction in the same sequence as numbered to assure fast & easy assembly.



WARNING!


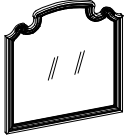
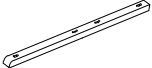
- 1.Don't attempt to repair or modify parts that are broken or defective. Please contact the store immediately.
- 2.This product is for home use only and not intended for commercial establishments.




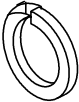


ASSEMBLY TIME

5 MINUTES

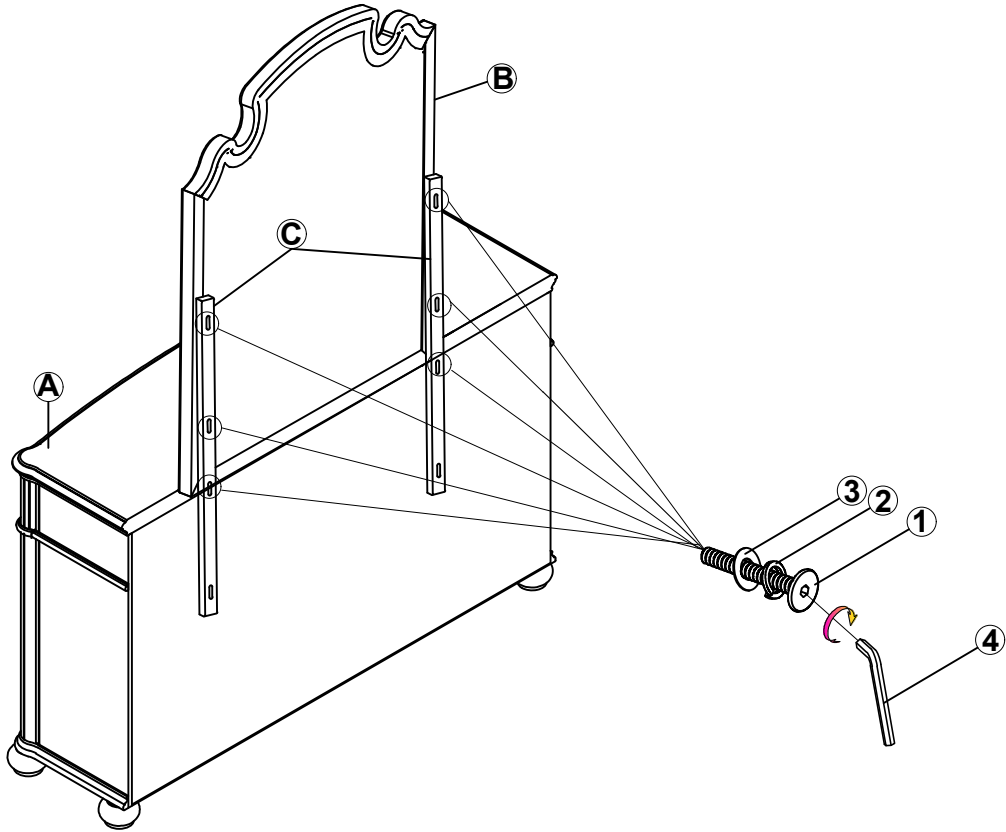
PARTS IDENTIFICATION

A	DRESSER FROM BOX ITEM #224763		1PC
B	MIRROR		1PC
C	MIRROR SUPPORT (PACKED WITH DRESSER)		2PCS

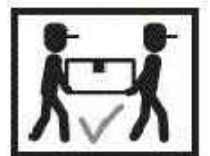
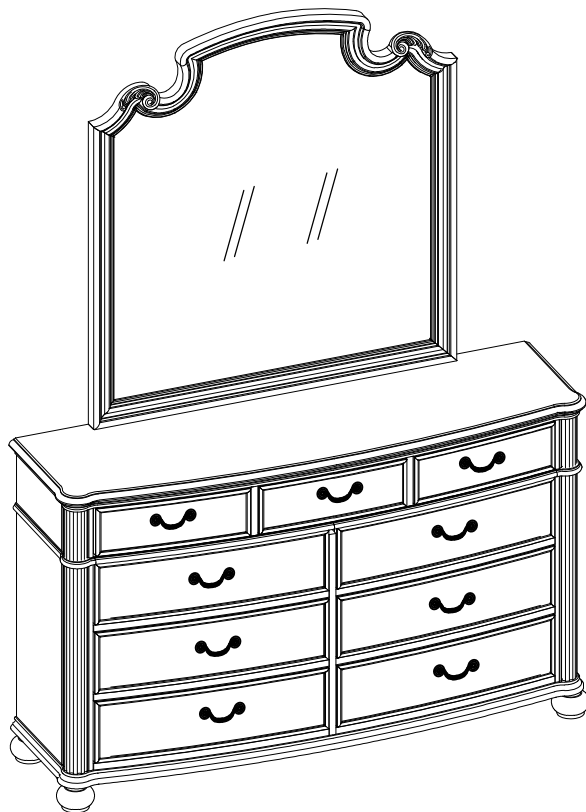
HARDWARE IDENTIFICATION

1	BOLT (Φ1/4" x 40mm - RBW)		6PCS
2	LOCK WASHER (Φ1/4 - RBW)		6PCS
3	FLAT WASHER (Φ1/4- RBW)		6PCS
4	ALLEN WRENCH (4mm - RBW)		1PC

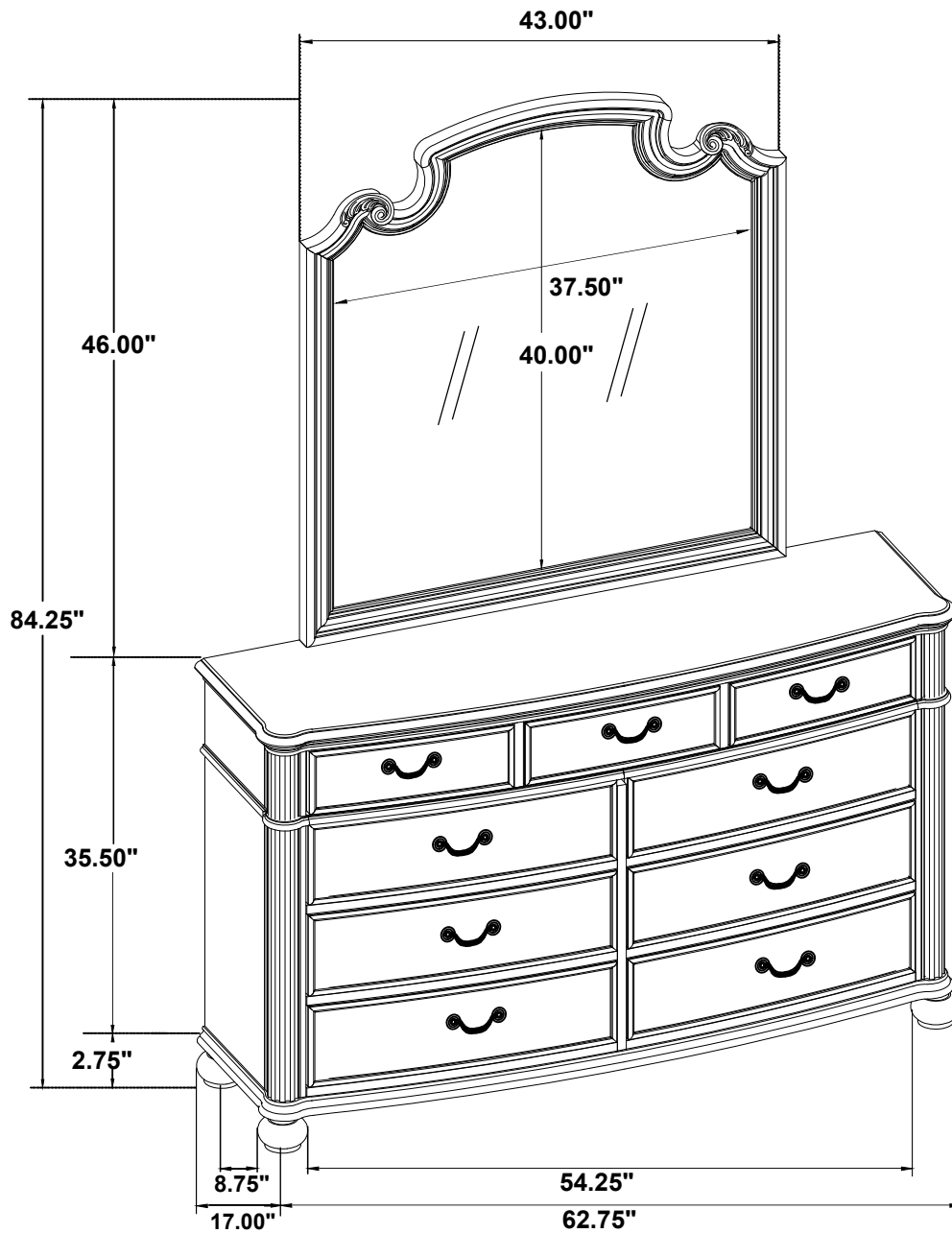
ITEM: **224764**
ASSEMBLY INSTRUCTIONS
STEP 1



STEP 2
COMPLETE



ITEM: 224764



Note: Dimension tolerance $\pm 5\%$