



# *ASSEMBLY INSTRUCTIONS*

## *COASTER FINE FURNITURE*



*Fine Furniture for every stage of life*

**509651**  
**Sofa**

# ITEM: 509651

## ASSEMBLY INSTRUCTIONS



### ASSEMBLY TIPS:

1. Remove hardware from box and sort by size.
2. Please check to see that all hardware and parts are present prior to start of assembly.
3. Please follow attached instructions in the same sequence as numbered to assure fast & easy assembly.



### WARNING!

1. Don't attempt to repair or modify parts that are broken or defective. Please contact the store immediately.
2. This product is for home use only and not intended for commercial establishments.



ASSEMBLY TIME

10 MINUTES

## PARTS IDENTIFICATION

A FRONT PANEL		1PC	F LEFT ARM		1PC
B SEAT DECK		1PC	G RIGHT ARM		1PC
C BACKREST		1PC	H LEG		4PCS
D BACK CUSHION		3PCS	I CENTER SUPPORT LEG WITH LEVELER		2PCS
E SEAT CUSHION		3PCS			

## HARDWARE IDENTIFICATION

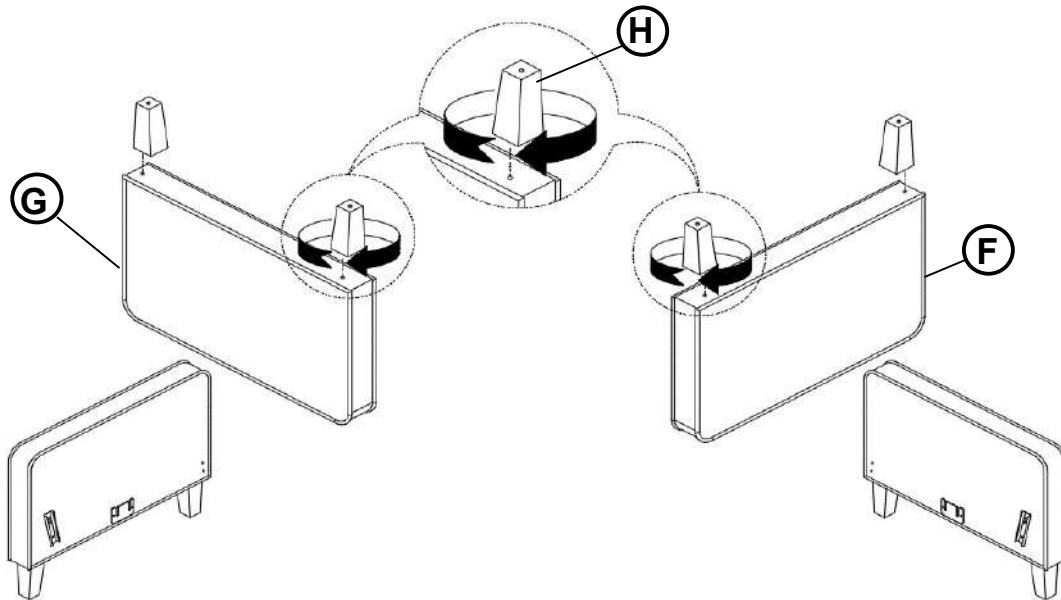
1 LONG BOLT (5/16" x 25mm - BLK)		4PCS	I SHORT BOLT (1/4" x 20mm - BLK)		4PCS
2 ALLEN WRENCH (60mmx4mm - BLK)		1PC			

ITEM: **509651**

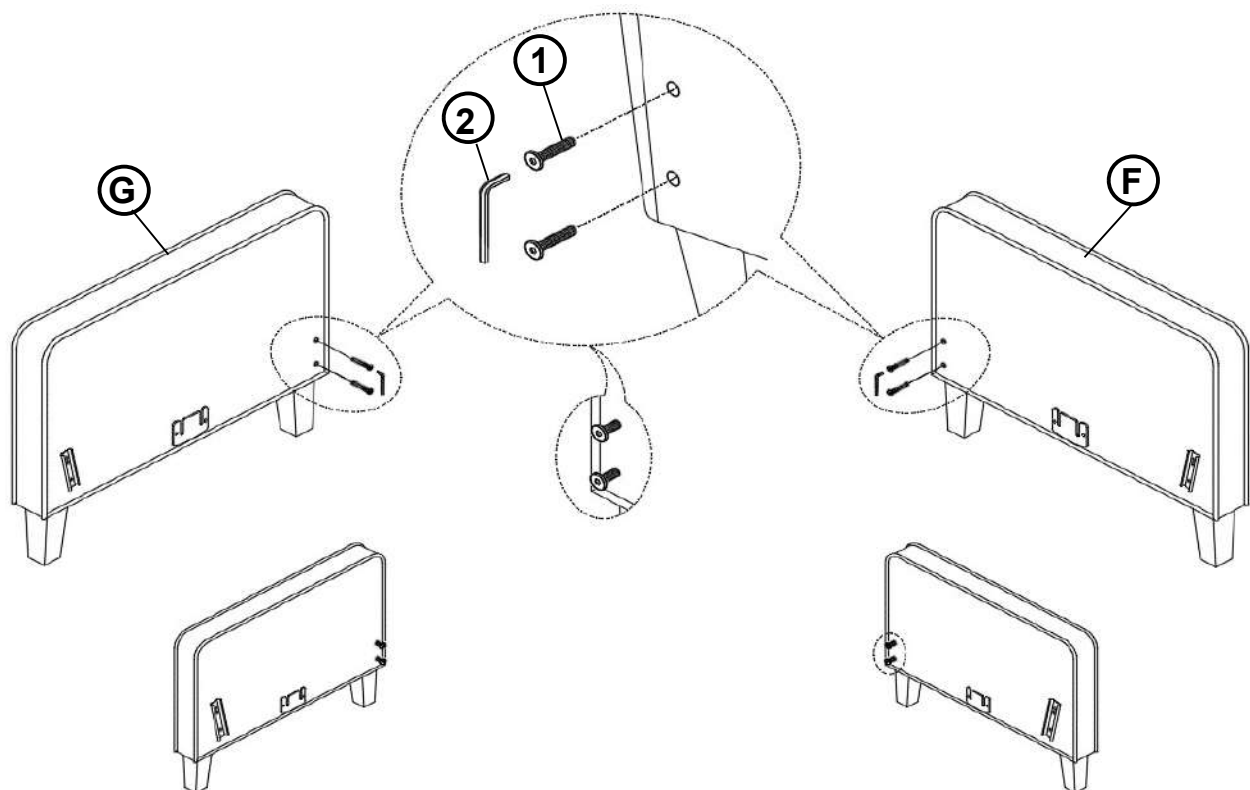


**ASSEMBLY INSTRUCTIONS**

**STEP 1**



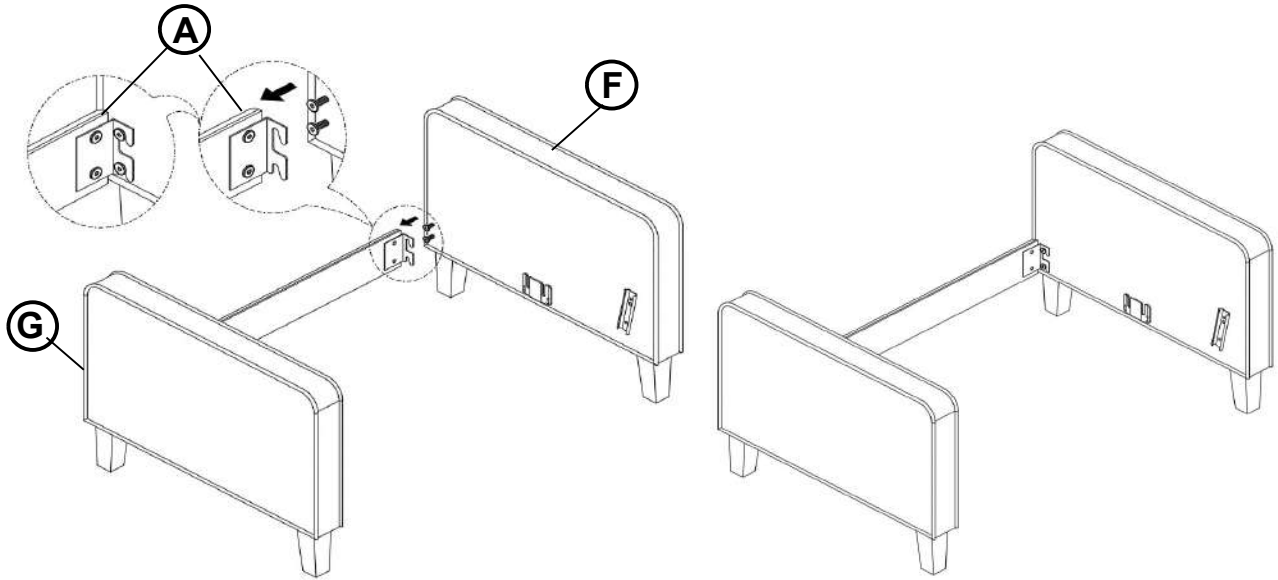
**STEP 2**



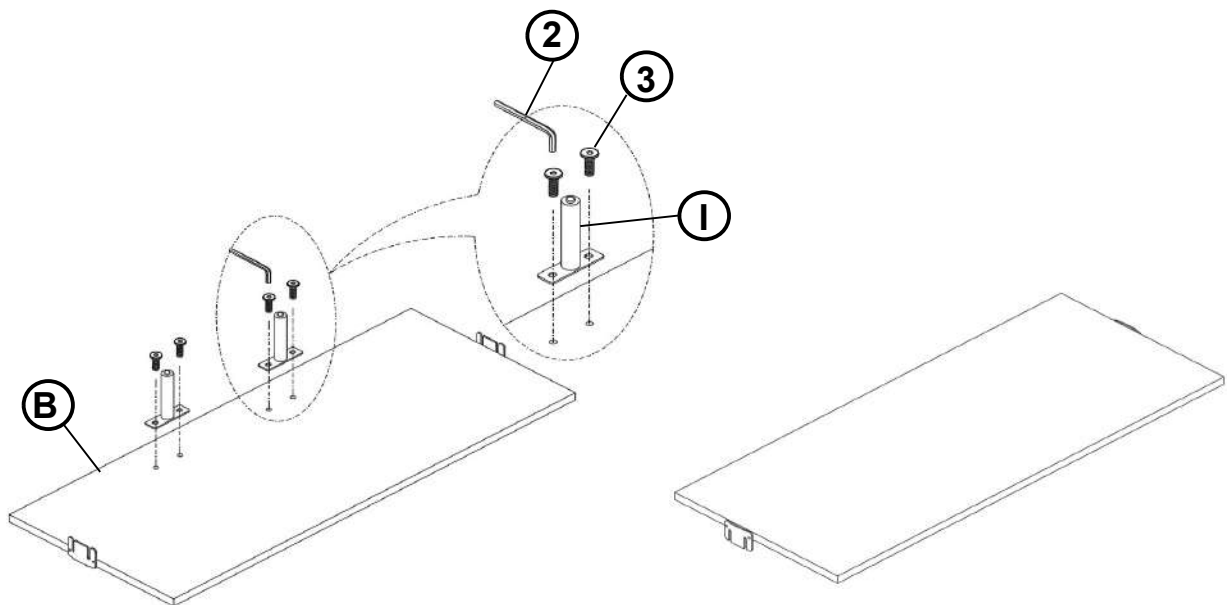
ITEM: **509651**



**ASSEMBLY INSTRUCTIONS**  
**STEP 3**



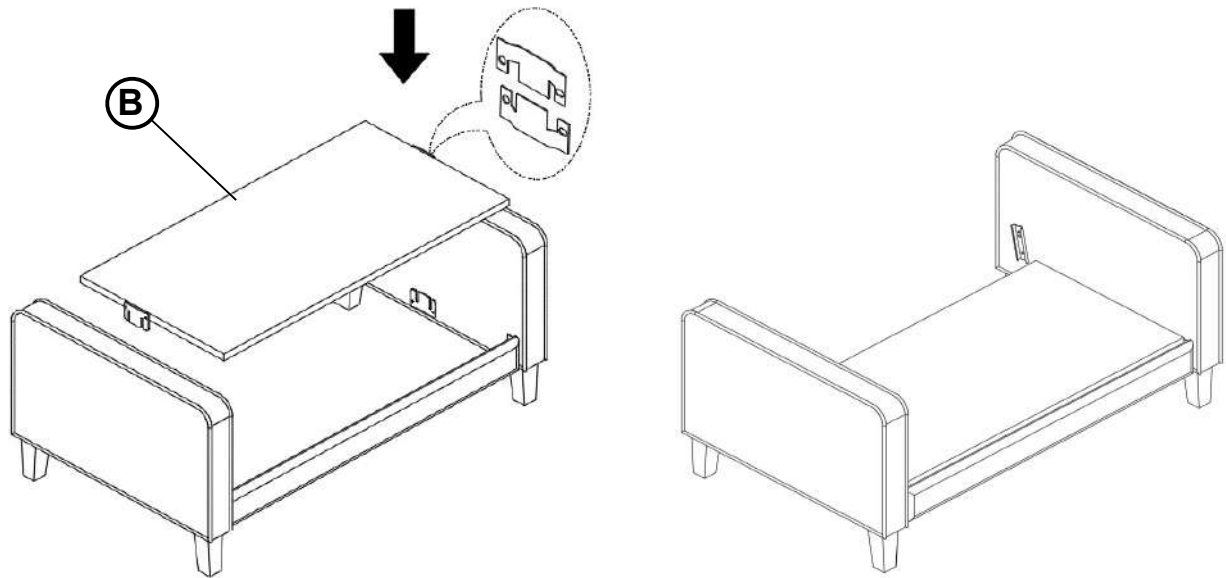
**STEP 4**



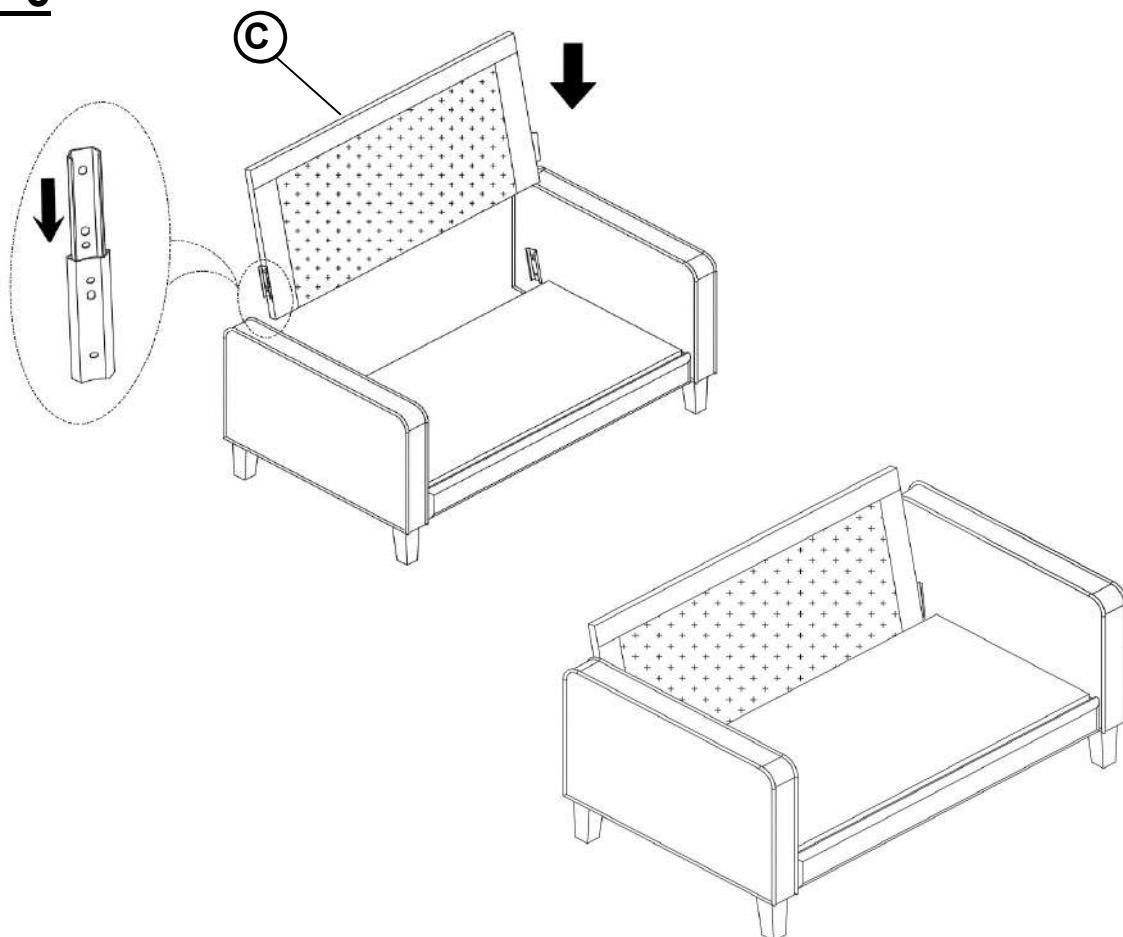
ITEM: **509651**



**ASSEMBLY INSTRUCTIONS**  
**STEP 5**



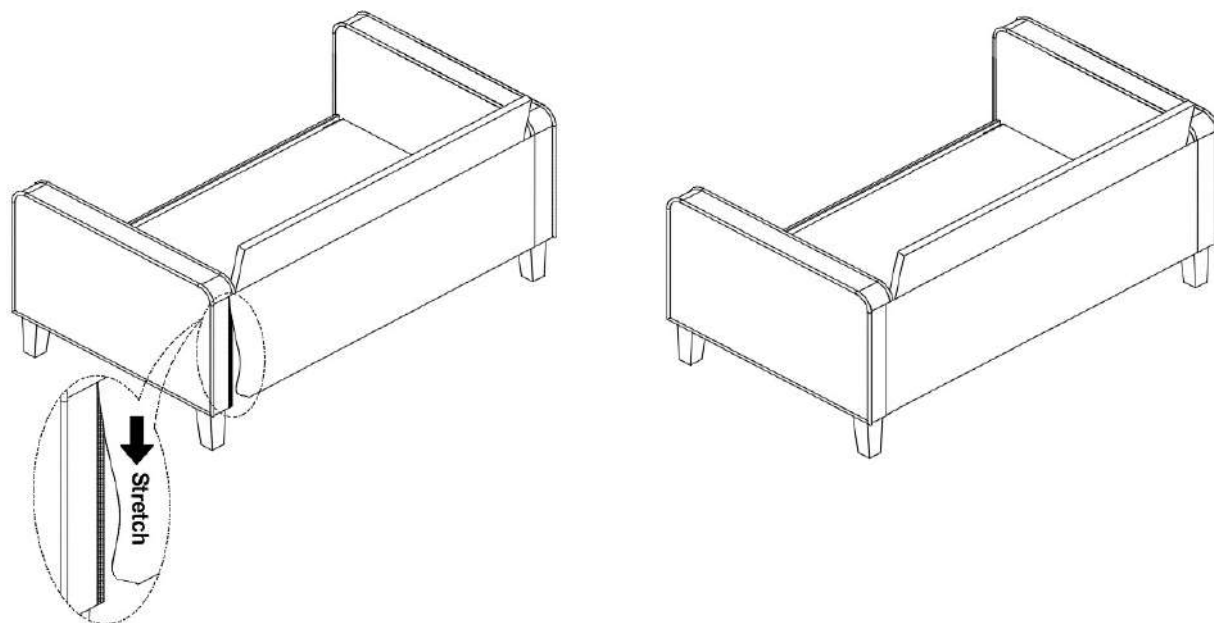
**STEP 6**



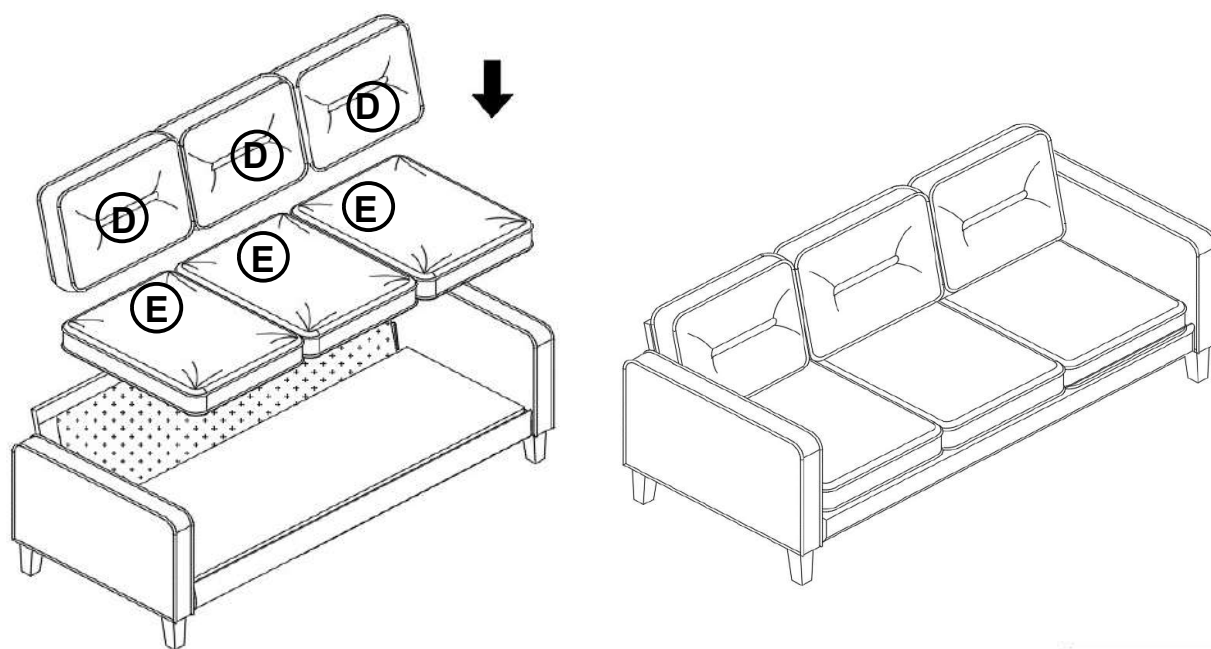
ITEM: **509651**



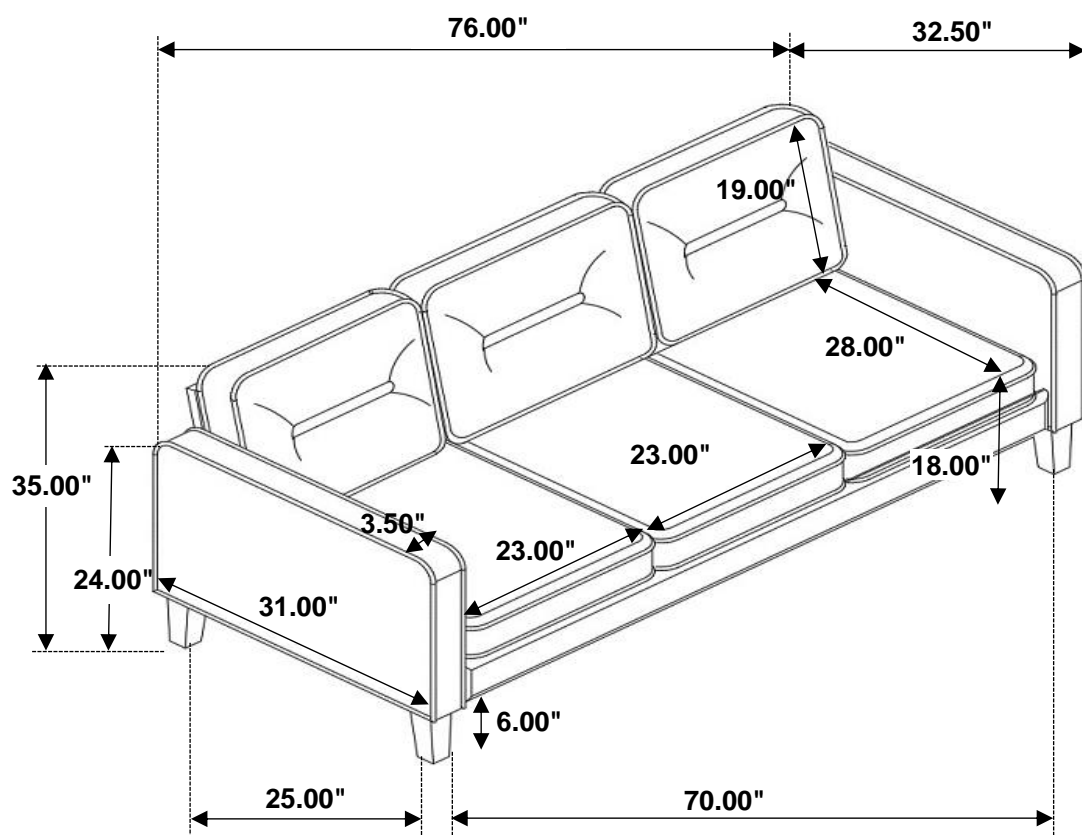
**ASSEMBLY INSTRUCTIONS**  
**STEP 7**



**STEP 8**  
**COMPLETE**



ITEM: **509651**



Note: Dimension tolerance  $\pm 5\%$