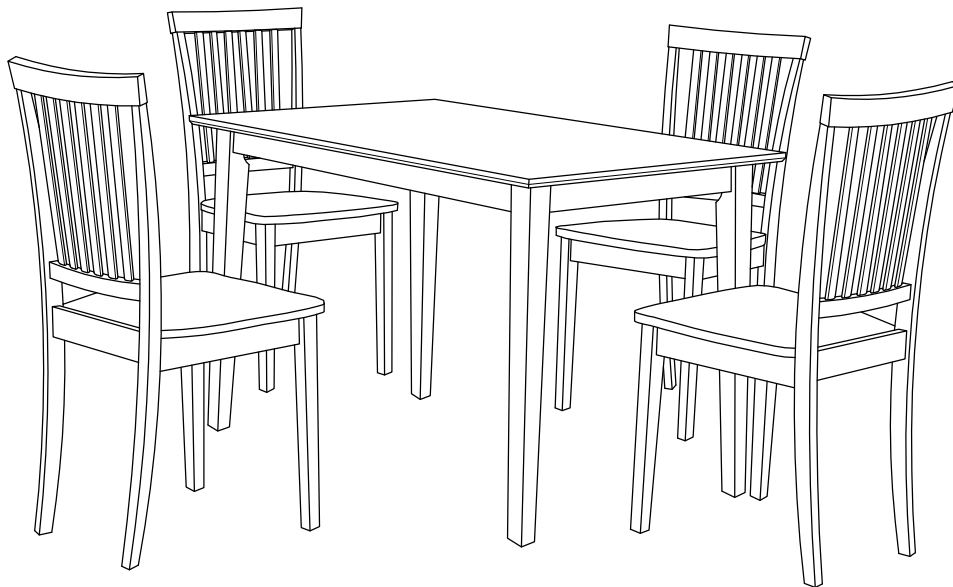


ASSEMBLY INSTRUCTIONS
COASTER FINE FURNITURE



Fine Furniture for every stage of life

150152
5Pc Dining Set

ITEM: **150152**



ASSEMBLY INSTRUCTIONS

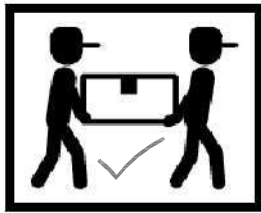
ASSEMBLY TIPS

1. Remove hardware from box and sort by size.
2. Please check to see that all hardware and parts are present prior to start of assembly.
3. Please follow attached instructions in the same sequence as numbered to assure fast & easy assembly.



WARNING !

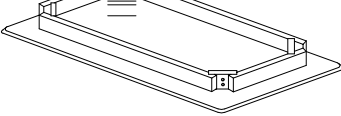

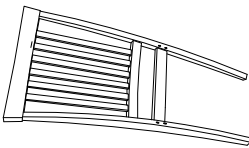
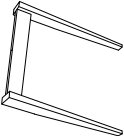
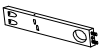

1. Don't attempt to repair or modify parts that are broken or defective. Please contact the store immediately.
2. This product is for home use only and not intended for commercial establishments.



ASSEMBLY TIME

45 MINUTES

PARTS IDENTIFICATION

A	TABLE TOP		1PC
B	TABLE LEG		4PCS
C	BACK FRAME		4PCS
D	FRONT LEG FRAME		4PCS
E	SIDE RAIL		8PCS
F	SEAT		4PCS

ITEM: 150152



ASSEMBLY INSTRUCTIONS

ASSEMBLY TIPS :

1. Remove hardware from box and sort by size.
2. Please check to see that all hardware and parts are present prior to start of assembly.
3. Please follow attached instructions in the same sequence as numbered to assure fast & easy assembly.




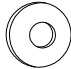


WARNING !

1. Don't attempt to repair or modify parts that are broken or defective. Please contact the store immediately.
2. This product is for home use only and not intended for commercial establishments.

HARDWARE IDENTIFICATION

TABLE

1	ALLEN WRENCH (M4 x 110MM - BLK)		1PC
2	LONG BOLT (M6 x 60MM - RBW)		8PCS
3	BIG LOCK WASHER (5/16" - RBW)		8PCS
4	FLAT WASHER (5/16" - RBW)		8PCS

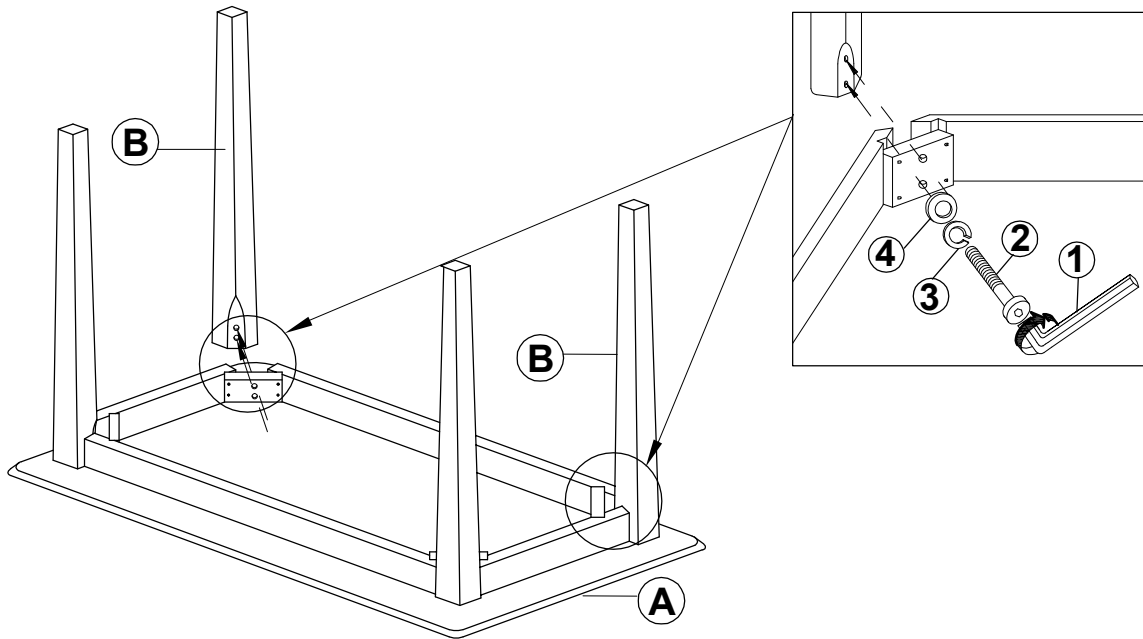
CHAIR

5	SHORT BOLT (M6 x 50mm - RBW)		24PCS
6	SMALL LOCK WASHER (1/4" - BLK)		24PCS
7	PAN HEAD SCREW (#8 x 1 1/4" - BLK)		12PCS

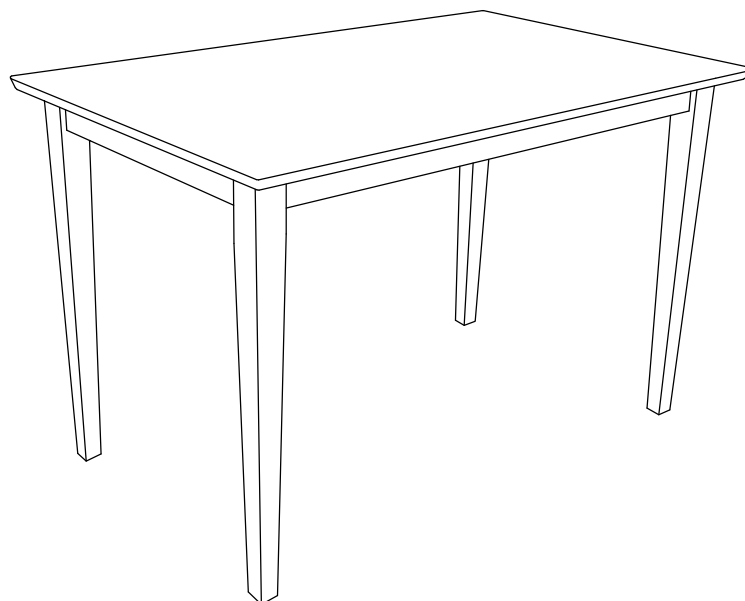
ITEM: **150152**

ASSEMBLY INSTRUCTIONS

TABLE
STEP 1



STEP 2



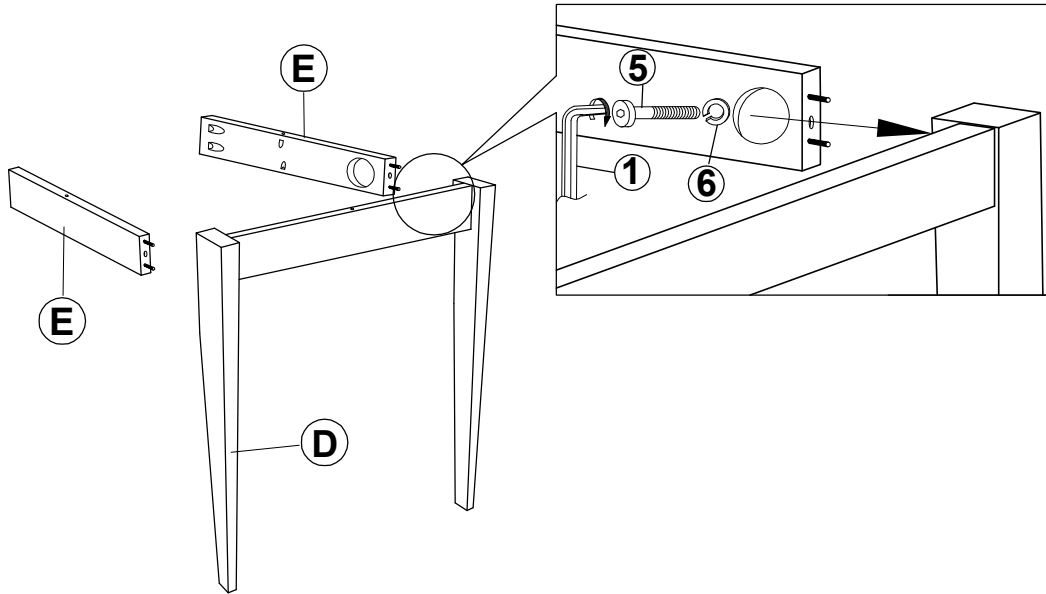
ITEM: **150152**



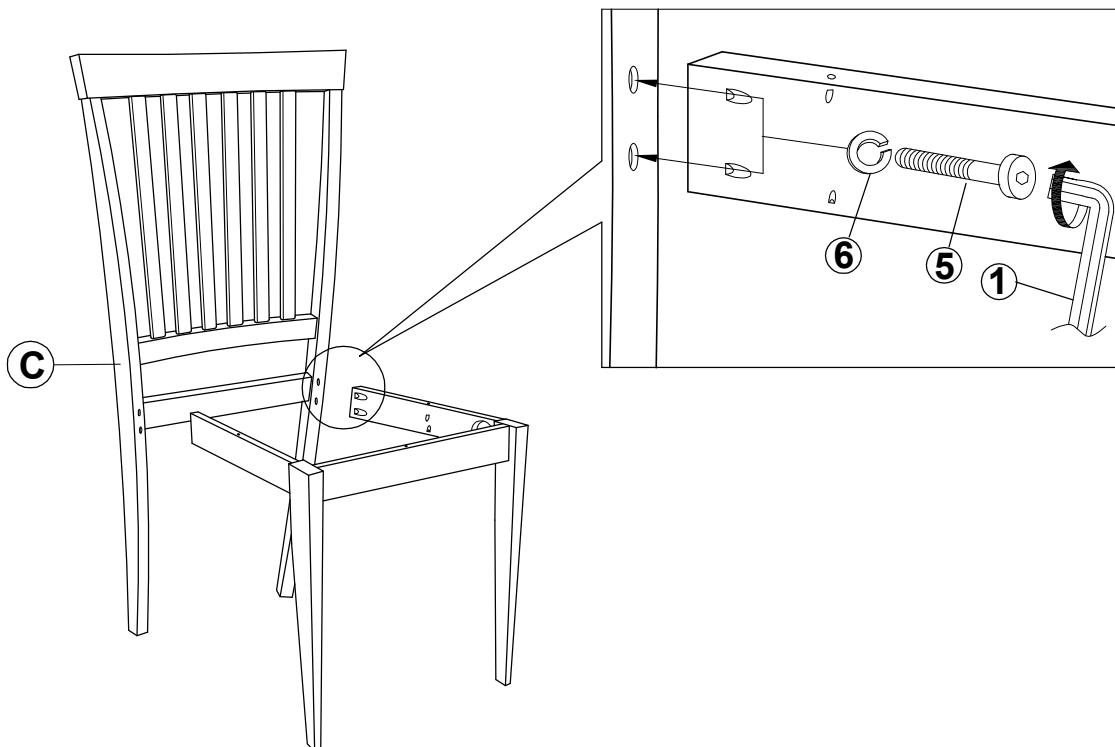
ASSEMBLY INSTRUCTIONS

CHAIR

STEP 3



STEP 4

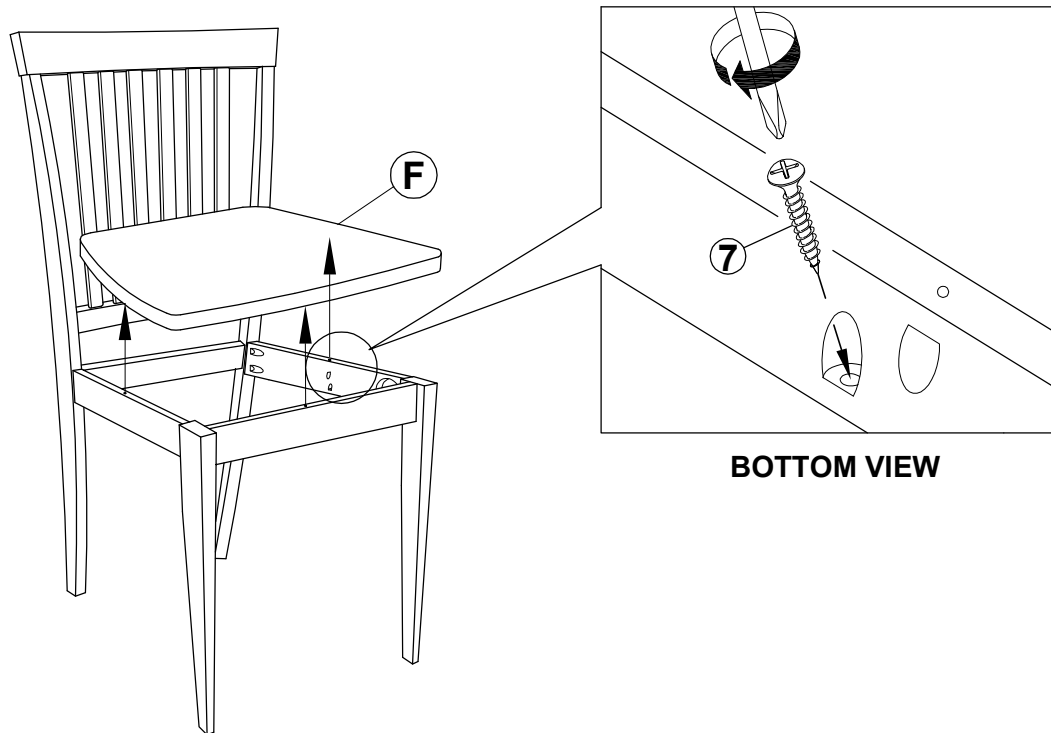


ITEM: **150152**



ASSEMBLY INSTRUCTIONS

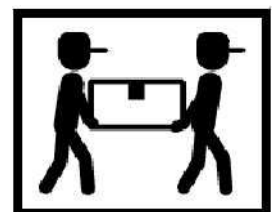
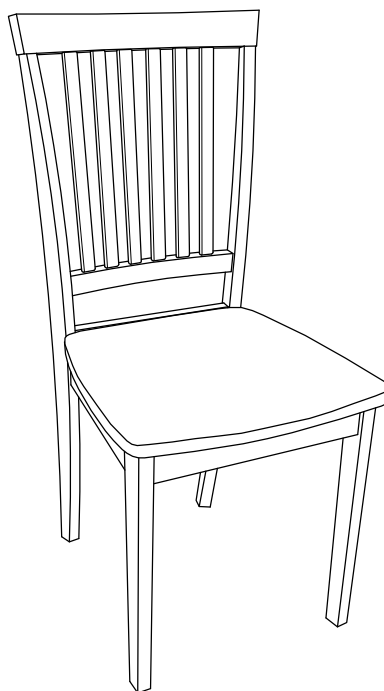
STEP 5



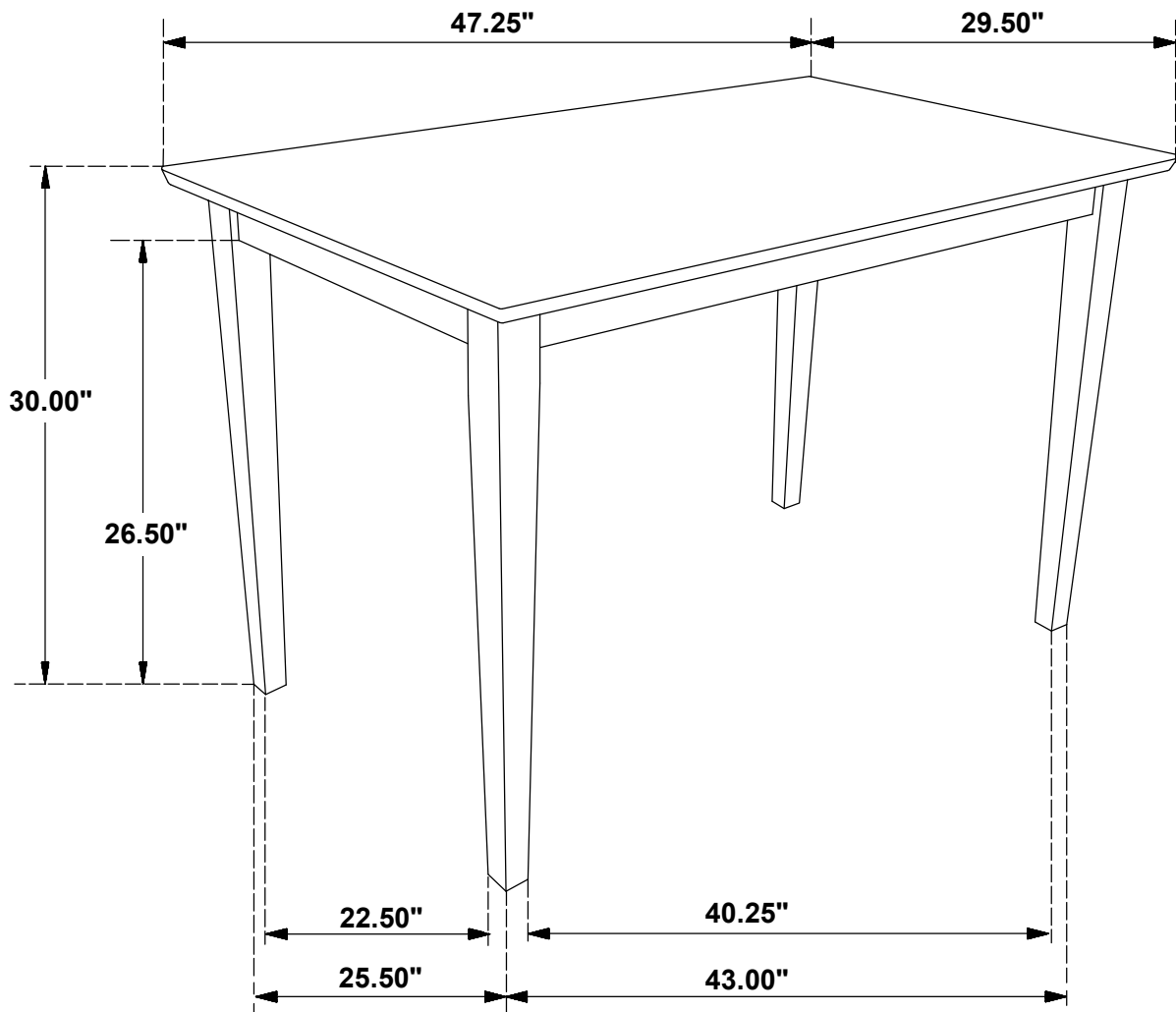
BOTTOM VIEW

STEP 6

COMPLETE

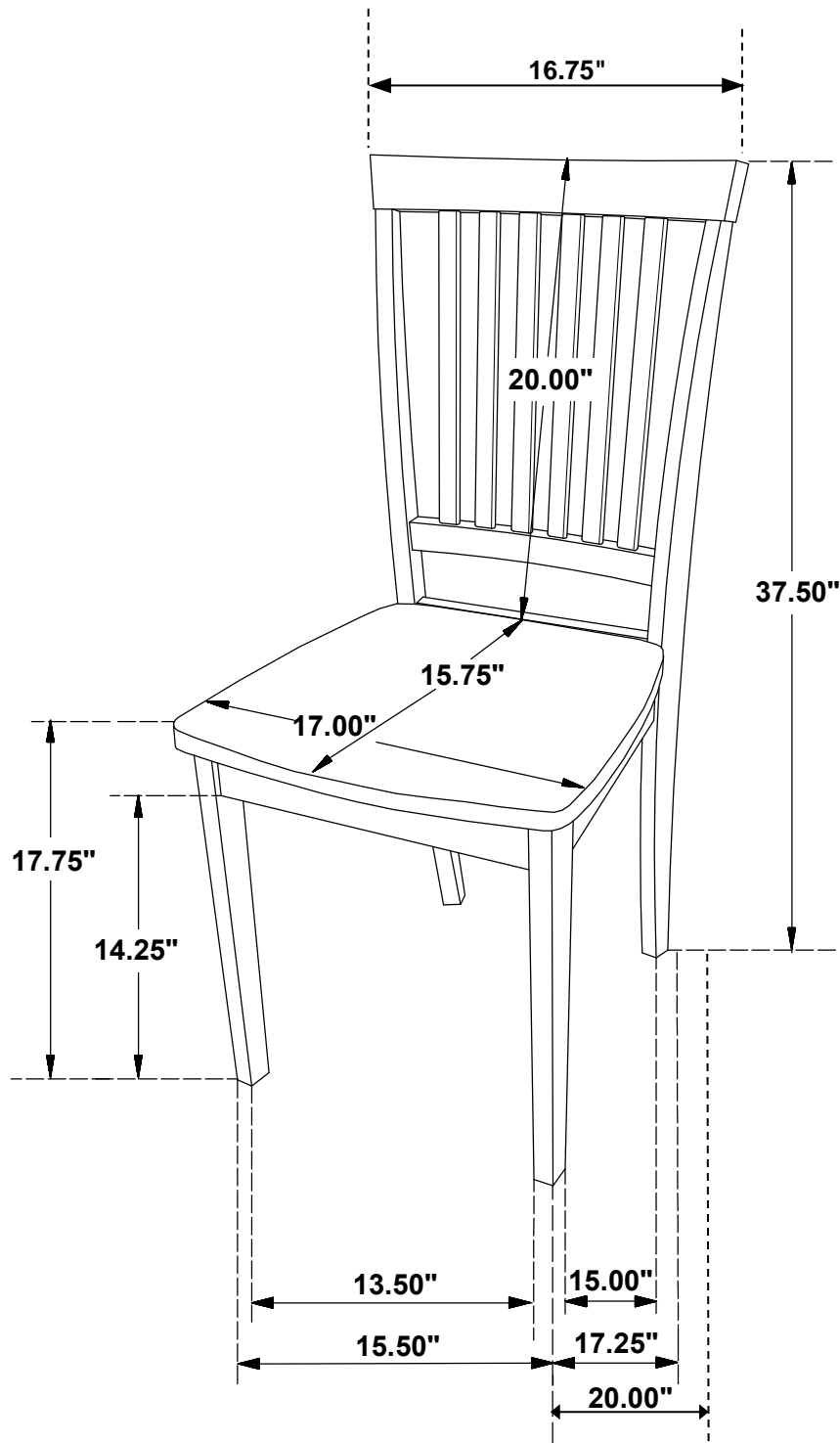


ITEM: 150152



Note: Dimension tolerance $\pm 5\%$

ITEM: 150152



Note: Dimension tolerance $\pm 5\%$