

*ASSEMBLY INSTRUCTIONS*  
*COASTER FINE FURNITURE*



*Fine Furniture for every stage of life*

**101437**  
***Bar Stool***

# ITEM:101437



## ASSEMBLY INSTRUCTIONS

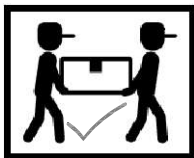
### ASSEMBLY TIPS :

1. Remove hardware from box and sort by size.
2. Please check to see that all hardware and parts are present prior to start of assembly.
3. Please follow attached instructions in the same sequence as numbered to assure fast & easy assembly.



### WARNING !

1. Don't attempt to repair or modify parts that are broken or defective. Please contact the store immediately.
2. This product is for home use only and not intended for commercial establishments.



ASSEMBLY TIME

30 MINUTES

## PARTS IDENTIFICATION

A	LEFT LEG FRAME		1PC
B	RIGHT LEG FRAME		1PC
C	FRONT & BACK RAIL		2PCS
D	FRONT & BACK STRETCHER		2PCS
E	SEAT CUSHION		1PC

## HARDWARE IDENTIFICATION

1	ALLEN WRENCH ( M4 x 110MM - BLK )		1PC
2	BOLT ( M6 x 50MM - RBW )		4PCS
3	LOCK WASHER ( 1/4" - BLK )		4PCS
4	FLAT WASHER ( M6 x 13MM - RBW )		4PCS
5	SHORT PAN HEAD SCREW ( #8 x 1 1/4" -BLK )		4PCS
6	LONG PAN HEAD SCREW ( #8 x 1 1/2" -BLK )		4PCS
7	DOWEL (M10 X 30MM )		2PCS

### NOTE :

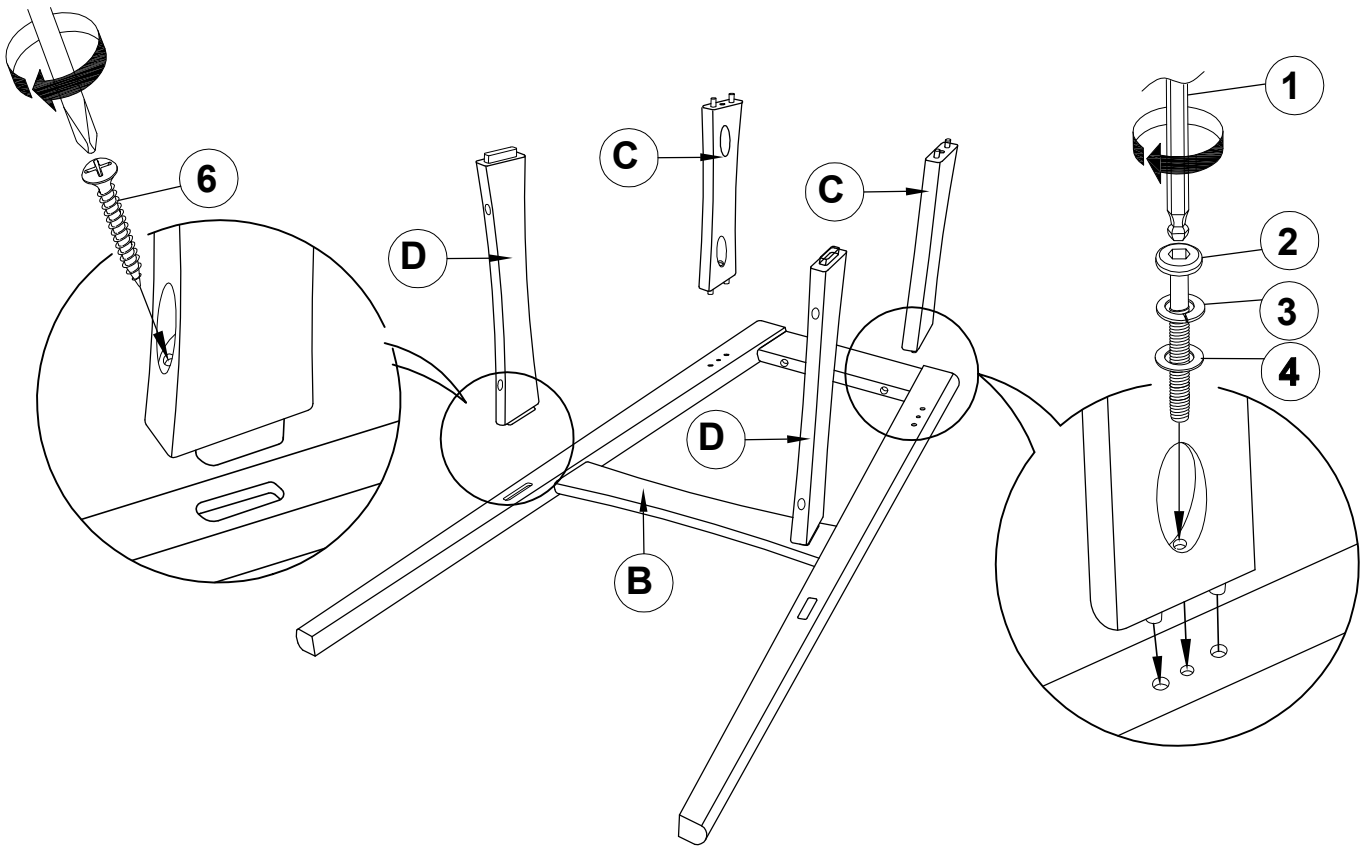
Phillips head screw driver is required in the assembly process ; However, manufacturer does not provide this item. Quantities shown are for one chair.

ITEM: **101437**

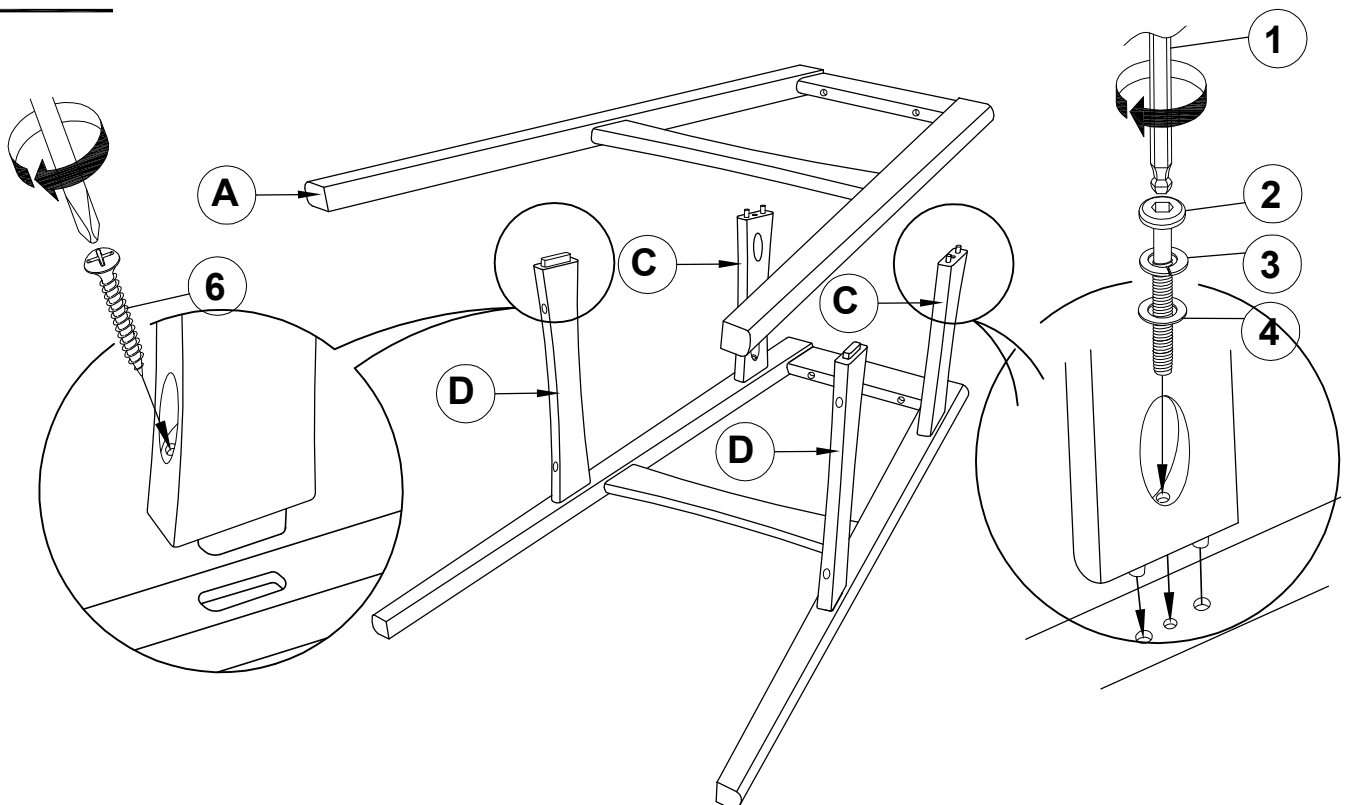
**ASSEMBLY INSTRUCTIONS**



**STEP 1**



**STEP 2**

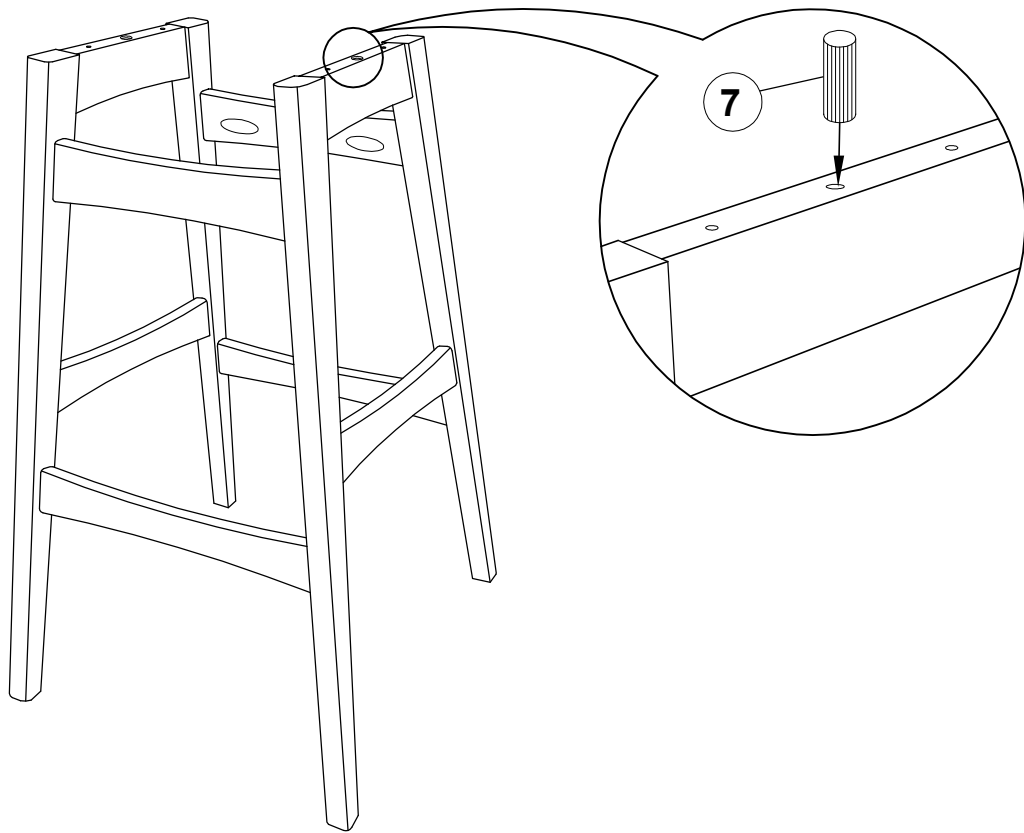


ITEM: **101437**

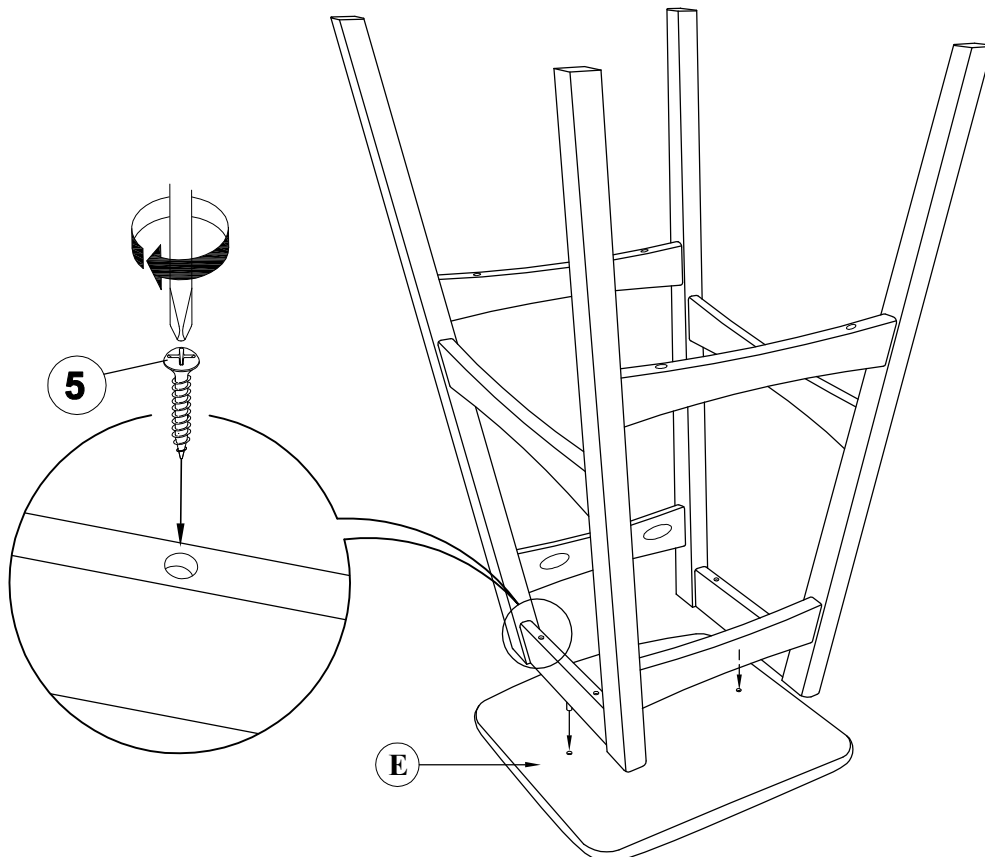
**ASSEMBLY INSTRUCTIONS**



**STEP 3**



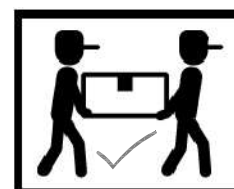
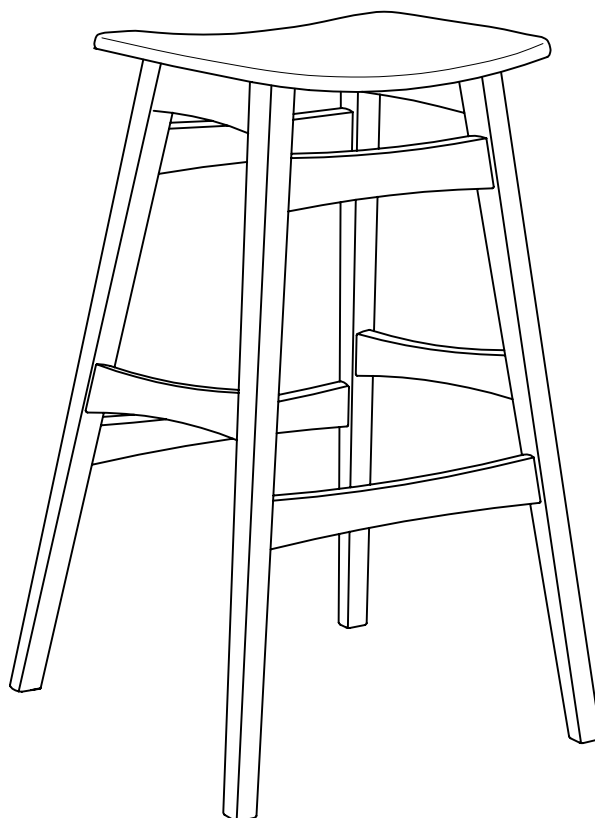
**STEP 4**



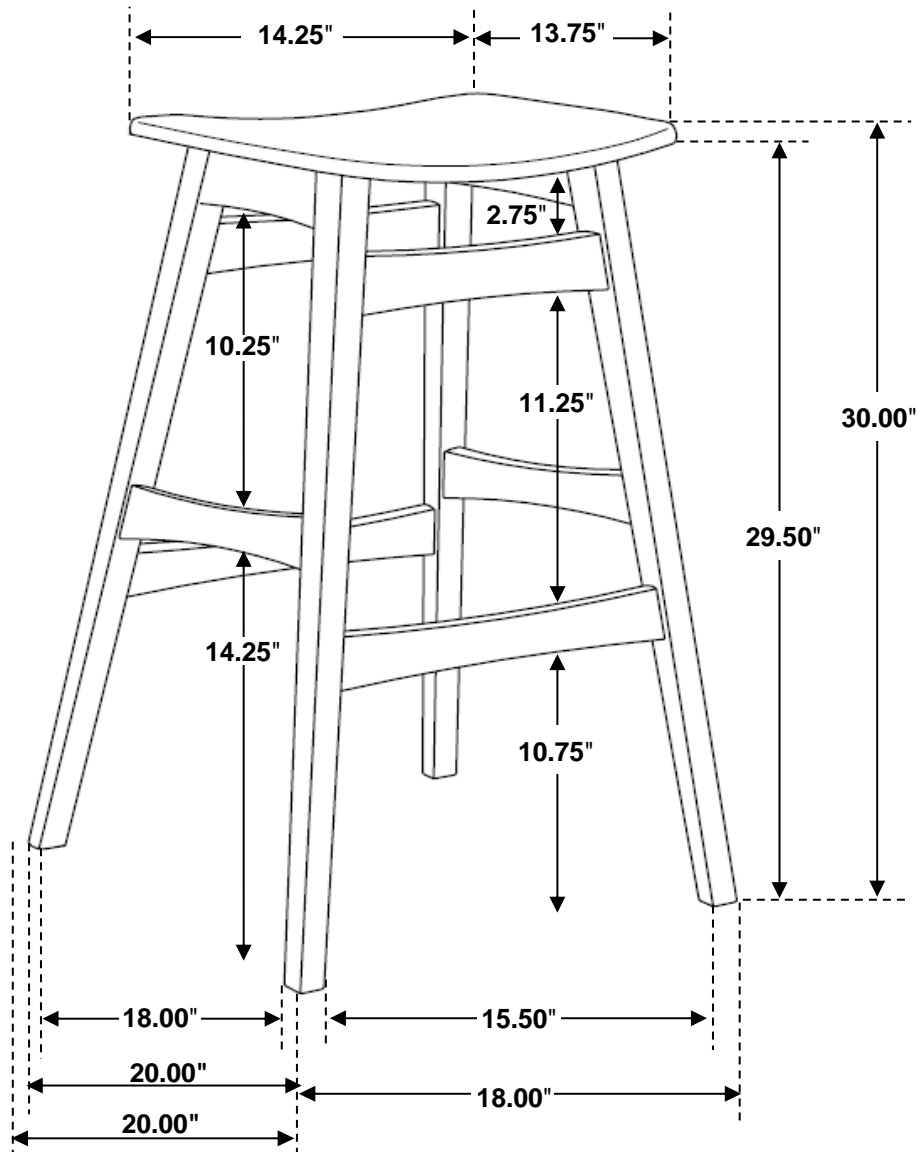
ITEM: **101437**



**STEP 5**  
**COMPLETE**



ITEM: **101437**



Note: Dimension tolerance  $\pm 5\%$