

ASSEMBLY INSTRUCTIONS
COASTER FINE FURNITURE



Fine Furniture for every stage of life

101920
Bar Stool

REVISION 0 : 08/19/2010
REVISION 1 : 11/18/2011
REVISION 2 : 11/09/2016
REVISION 3 : 09/26/2018
REVISION 4 : 01/31/2019
REVISION 5 : 05/31/2019

ITEM: 101920



ASSEMBLY INSTRUCTIONS

ASSEMBLY TIPS:

1. Remove hardware from box and sort by size.
2. Please check to see that all hardware and parts are present prior to start of assembly.
3. Please follow attached instructions in the same sequence as numbered to assure fast & easy assembly.



WARNING!






1. Don't attempt to repair or modify parts that are broken or defective. Please contact the store immediately.
2. This product is for home use only and not intended for commercial establishments.








ASSEMBLY TIME

10 MINUTES

PARTS IDENTIFICATION

AF	LEG		4PCS
B	FOOTREST		1PC
C	SWIVEL PLATE WITH FRAME		1PC
D	SEAT CUSHION WITH FRAME		1PC
E	BACKREST		1PC

HARDWARE IDENTIFICATION

1	SHORT BOLT (Φ 1/4" x 1" - BLK)		4PCS
2	LONG BOLT (Φ 1/4" x 1-4.5/8" - BLK)		14PCS
3	LOCK WASHER (Φ 1/4" - BLK)		14PCS
4	FLAT WASHER (Φ 1/4" - BLK)		14PCS
5	ALLEN WRENCH (4MM - BLK)		1PC

NOTE:

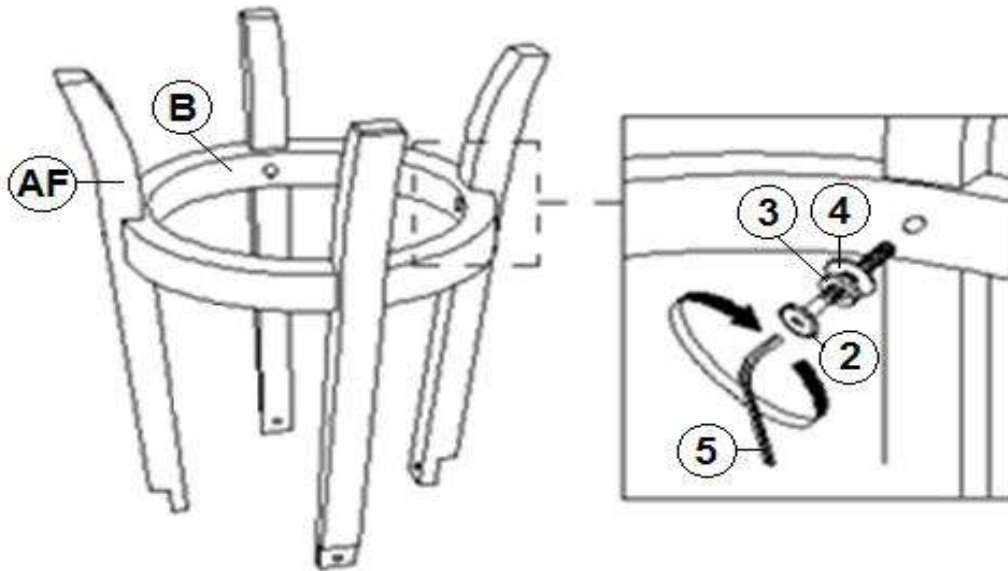
Quantities shown are for one stool.

ITEM:101920

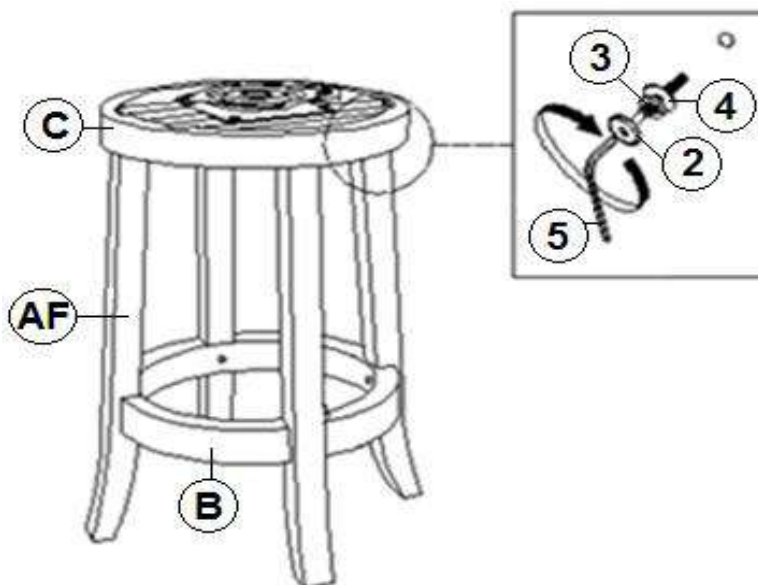


ASSEMBLY INSTRUCTIONS

STEP 1



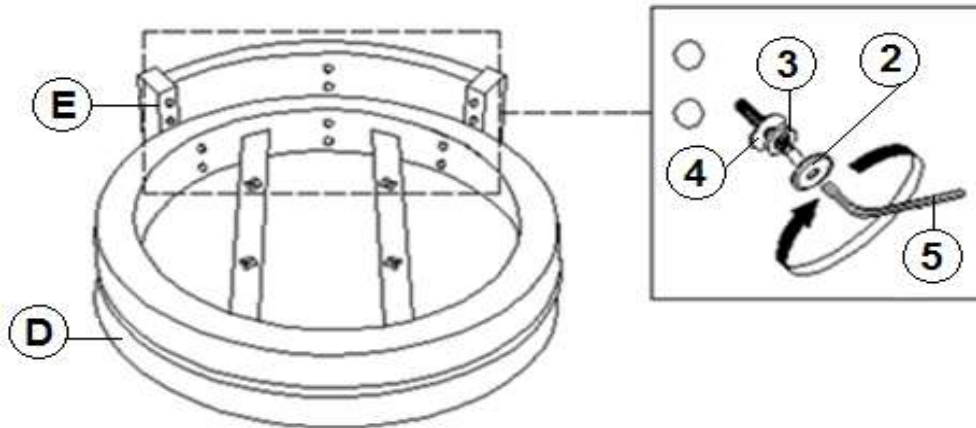
STEP 2



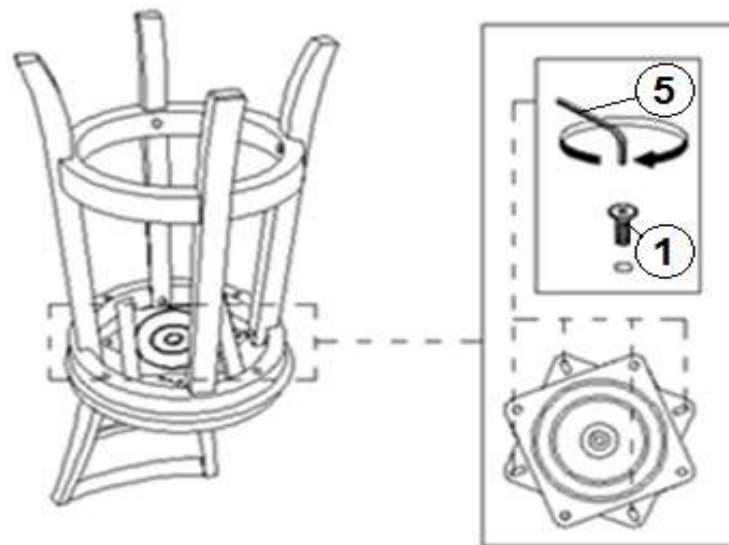
ITEM: **101920**

ASSEMBLY INSTRUCTIONS

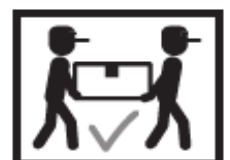
STEP 3



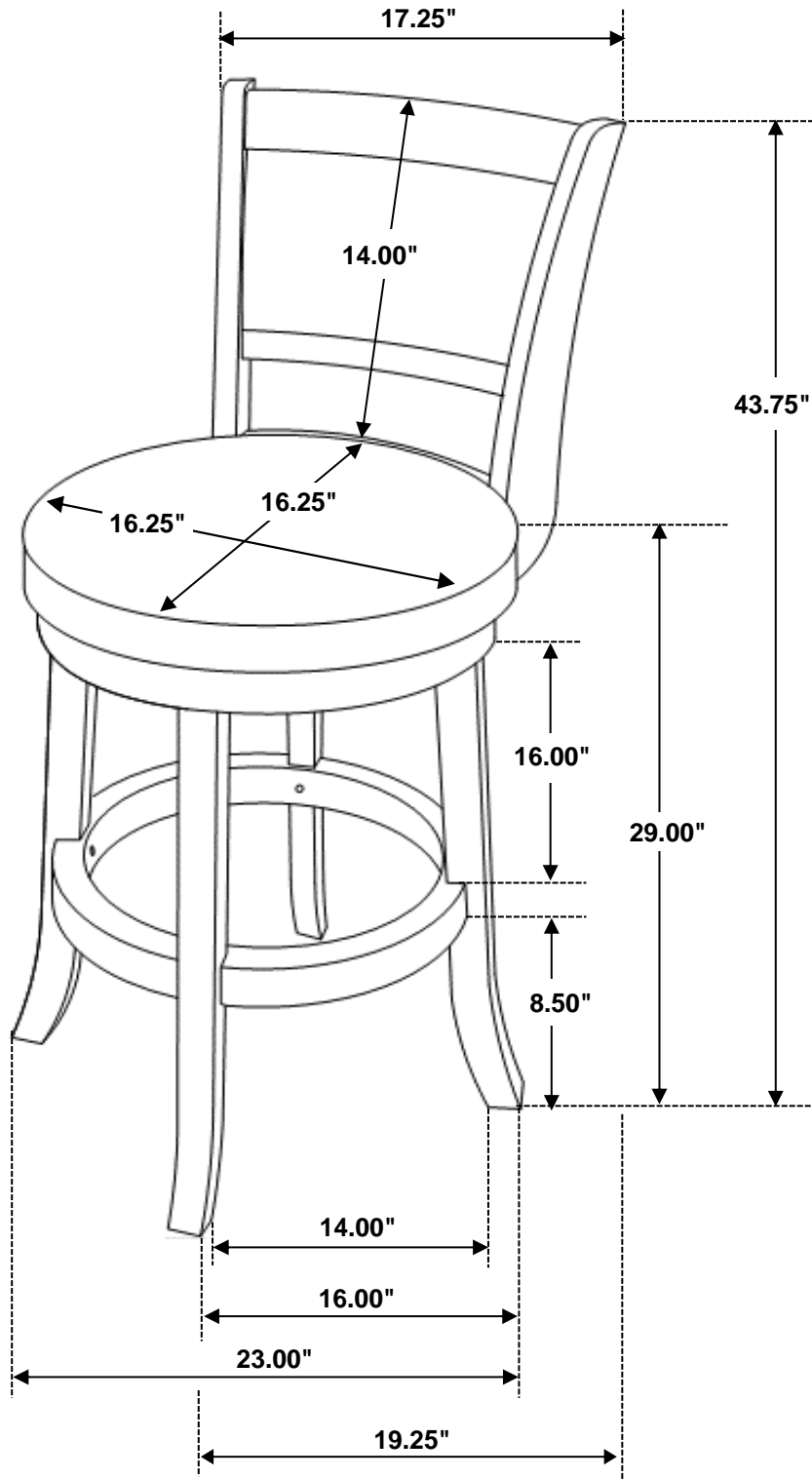
STEP 4



STEP 5
COMPLETE



ITEM:101920



Note: Dimension tolerance $\pm 5\%$