



ASSEMBLY INSTRUCTIONS
COASTER FINE FURNITURE



Fine Furniture for every stage of life

106382
Dining Side Chair

REVISION 0: 09/08/2017
REVISION 1: 02/14/2020
REVISION 2: 02/14/2023

PAGE 1 OF 4

COASTERFURNITURE.COM

ITEM: 106382



ASSEMBLY INSTRUCTIONS

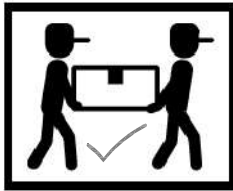
ASSEMBLY TIPS :

1. Remove hardware from box and sort by size.
2. Please check to see that all hardware and parts are present prior to start of assembly.
3. Please follow attached instructions in the same sequence as numbered to assure fast & easy assembly.



WARNING !

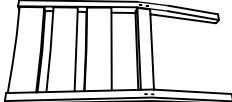

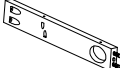

1. Don't attempt to repair or modify parts that are broken or defective. Please contact the store immediately.
2. This product is for home use only and not intended for commercial establishments.








ASSEMBLY TIME

30 MINUTES

PARTS IDENTIFICATION

A	BACK FRAME		1PC
B	FRONT LEG FRAME		1PC
C	SIDE RAIL		2PCS
DF	SEAT CUSHION		1PC

HARDWARE IDENTIFICATION

1	ALLEN WRENCH (M4 x 110MM - BLK)		1PC
2	BOLT (M6 x 50MM - RBW)		6PCS
3	LOCK WASHER (1/4" - BLK)		6PCS
4	FLAT WASHER (M6 x 13MM - RBW)		6PCS
5	PAN HEAD SCREW (#8 x 1 1/4" -BLK)		4PCS

NOTE :

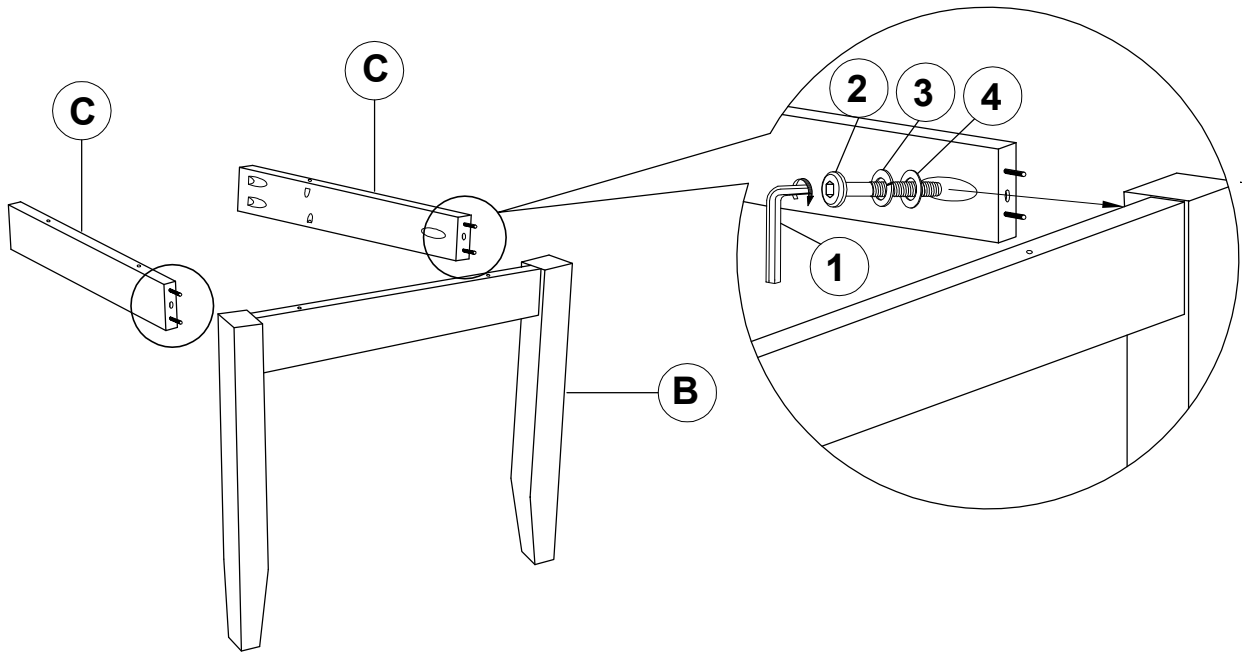
Phillips head screw driver is required in the assembly process. However, manufacturer does not provide this item. Quantities shown are for one chair.

ITEM: **106382**

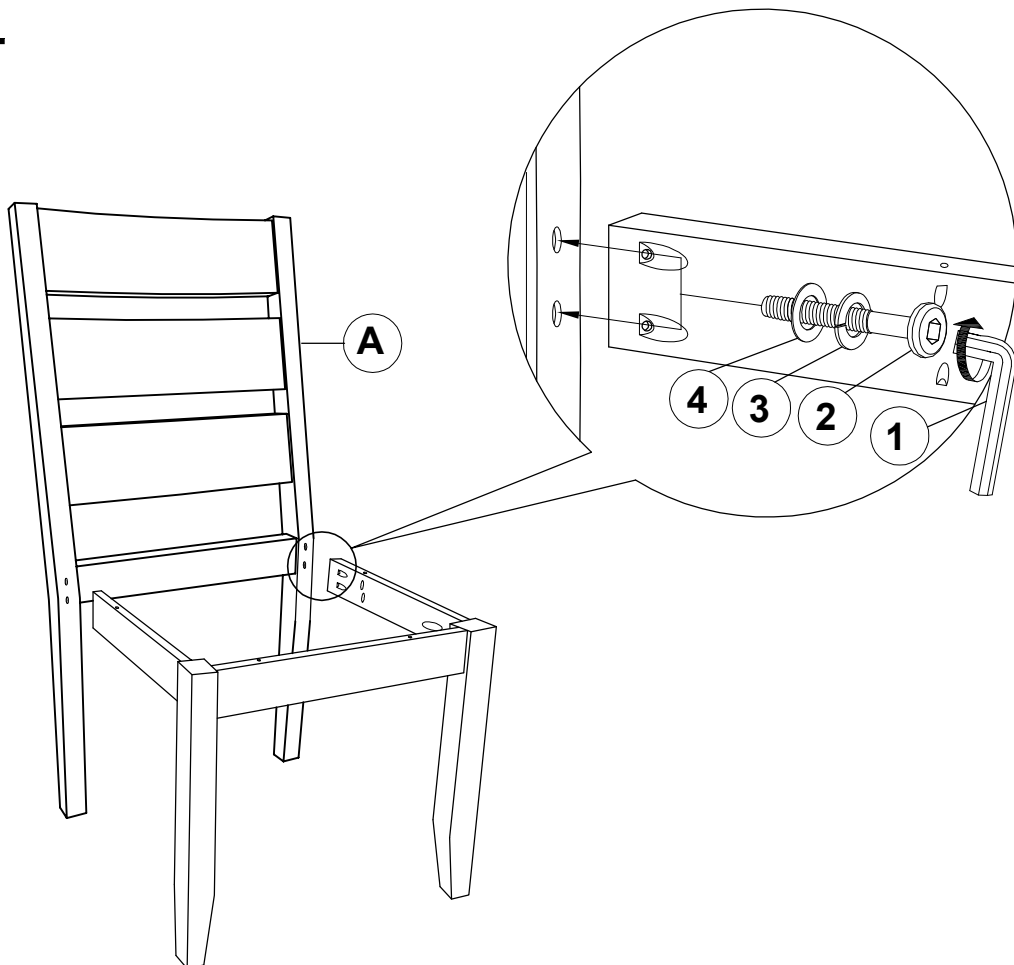
ASSEMBLY INSTRUCTIONS



STEP 1



STEP 2

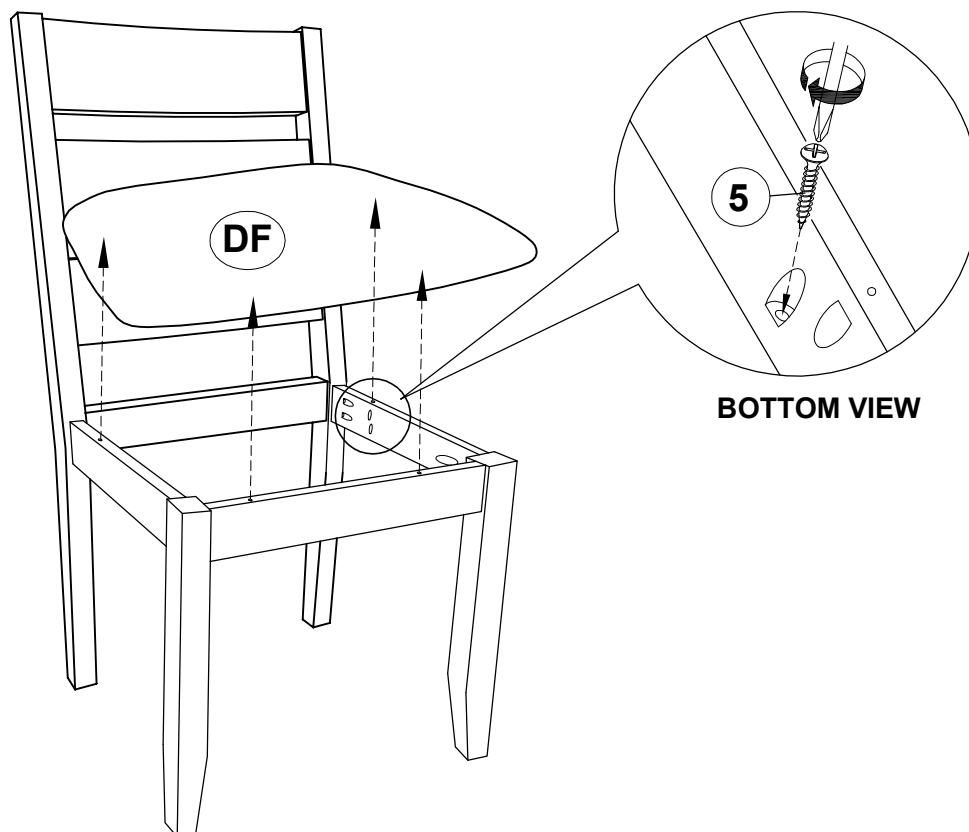


ITEM: **106382**

ASSEMBLY INSTRUCTIONS

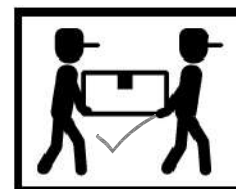
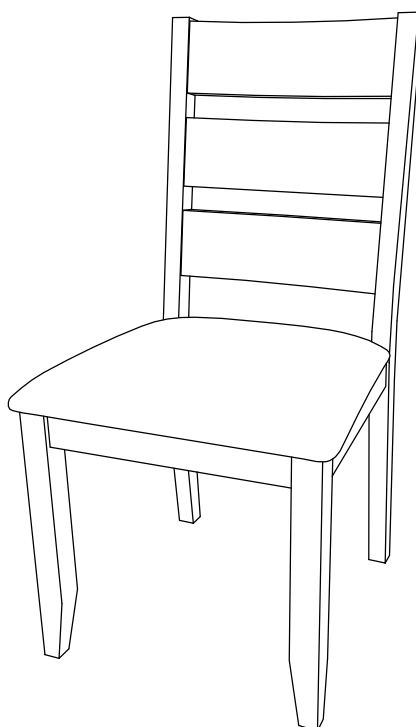


STEP 3

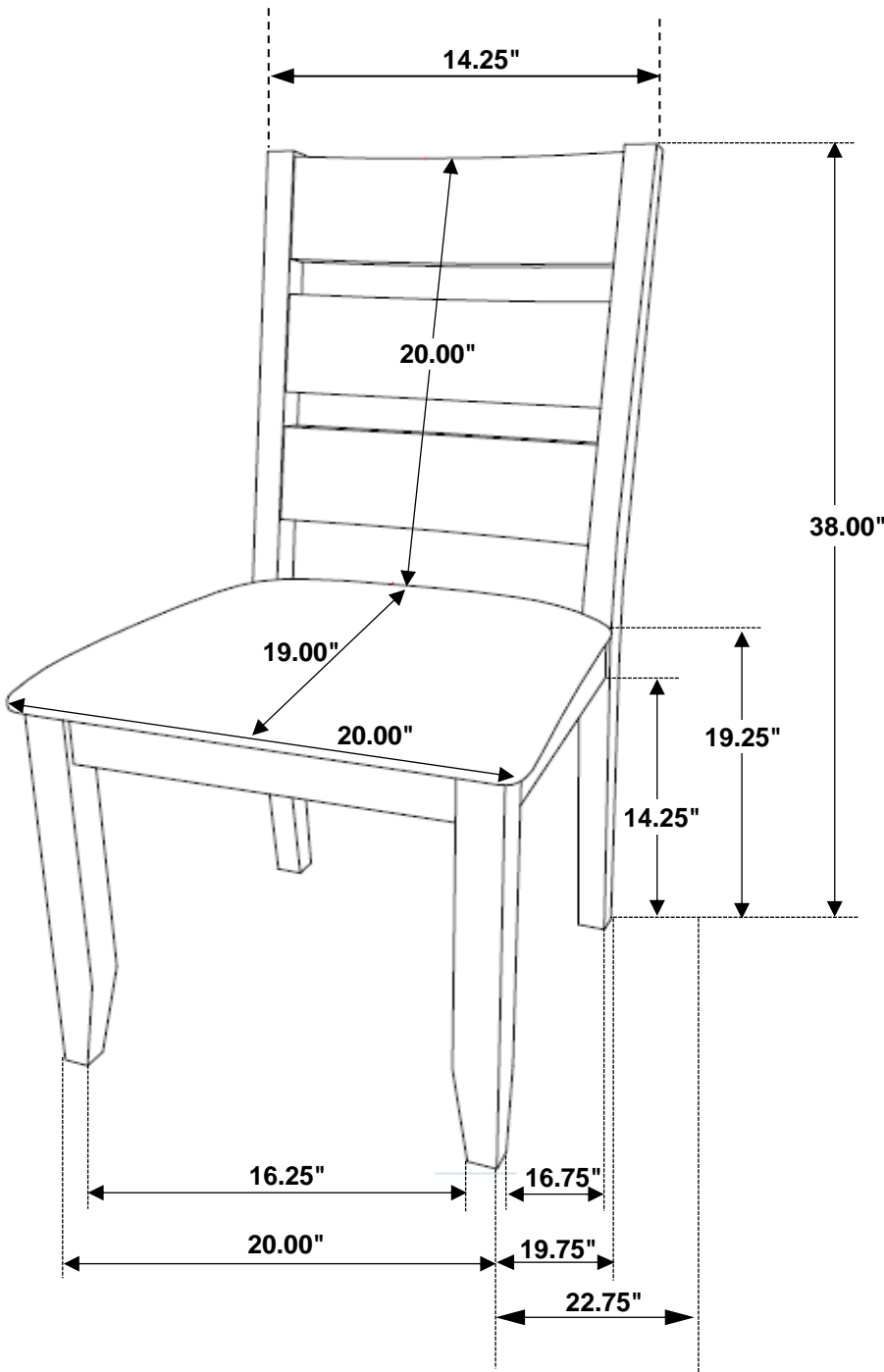


STEP 4

COMPLETE



ITEM: **106382**



Note: Dimension tolerance $\pm 5\%$